

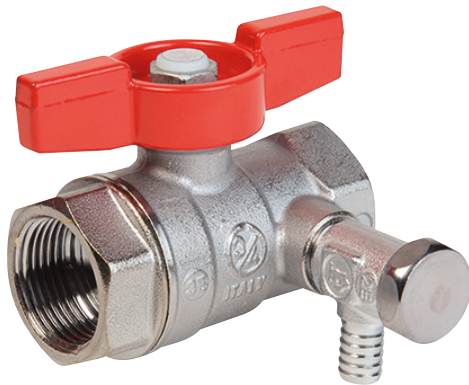
R251S



Energy
Management

Ball valve for water for heating systems, standard port

Datasheet
0591EN  11/2022



Ball valve, female-female threaded connections, with drain cock with hose connection \varnothing 9 mm. Standard port.

Versions and product codes

PRODUCT CODE	CONNECTIONS	DRAIN COCK SIZE	FINISHING	HANDLE TYPE	HANDLE COLOR	NOTES
R251SX003	G 1/2"F x G 1/2"F	1/4"	Chrome plated brass	T-handle	Red	With drain cock
R251SX004	G 3/4"F x G 3/4"F	1/4"	Chrome plated brass	T-handle	Red	With drain cock
R251SX005	G 1"F x G 1"F	1/4"	Chrome plated brass	T-handle	Red	With drain cock

Technical data

Main features and materials

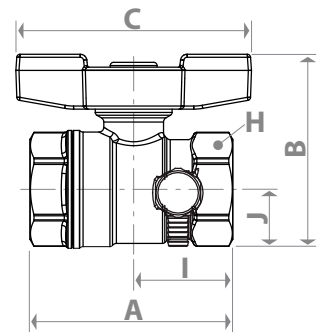
- Suitable for water for heating/cooling systems
- Standard port
- Valve made of UNI EN 12165 CW617N chrome plated brass
- Stem with double O-Ring
- Nut with anti-corrosion coating, with guarantee seal and hologram
- Aluminium T-handle, red painted
- Drain cock with hose connection \varnothing 9 mm

Field of applications

- Temperature range: $-20 \div 120$ °C (-20 °C with 50 % glycol solutions)
- Max. working pressure at 20 °C with water:
4,2 MPa (42 bar) for 1/2", 3/4"
3,5 MPa (35 bar) for 1"

Dimensions and Kv

PRODUCT CODE	DN	A [mm]	I [mm]	B [mm]	J [mm]	C [mm]	H [mm]	Kv
R251SX003	14	59	32	50	15	63	wr.25	10,2
R251SX004	18	69	36	60	18	73	wr.32	18,5
R251SX005	22	81	43	69	23	73	wr.39	36,3



Product specifications

R251S

Ball valve, with female-female threaded connections, with drain cock with hose connection \varnothing 9 mm. Suitable for water for heating/cooling systems. Valve made of UNI EN 12165 CW617N chrome plated brass. Standard port. Aluminium T-handle, red painted. Stem with double O-Ring. Nut with anti-corrosion coating, with guarantee seal and hologram. Temperature range: $-20 \div 120$ °C (-20 °C with 50 % glycol solutions). Max. working pressure at 20 °C with water: 4,2 MPa (42 bar) for 1/2", 3/4"; 3,5 MPa (35 bar) for 1".

⚠ Safety Warning. Installation, commissioning and periodical maintenance of the product must be carried out by qualified operators in compliance with national regulations and/or local standards. A qualified installer must take all required measures, including use of Individual Protection Devices, for his and others' safety. An improper installation may damage people, animals or objects towards which Giacomini S.p.A. may not be held liable.

♻ Package Disposal. Carton boxes: paper recycling. Plastic bags and bubble wrap: plastic recycling.

ℹ Additional information. For more information, go to giacomini.com or contact our technical assistance service. This document provides only general indications. Giacomini S.p.A. may change at any time, without notice and for technical or commercial reasons, the items included herewith. The information included in this technical sheet do not exempt the user from strictly complying with the rules and good practice standards in force.

♻ Product Disposal. Do not dispose of product as municipal waste at the end of its life cycle. Dispose of product at a special recycling platform managed by local authorities or at retailers providing this type of service.