



Similar to figure

Data sheet

Hydraulic data

Maximum operating pressure P_N	10 bar
Delivery head for Q_{min} $H_{Q_{min}}$	5.6 m
Max. volume flow Q_{max}	5.1 m ³ /h
Min. fluid temperature T_{min}	2 °C
Max. fluid temperature T_{max}	65 °C
Min. ambient temperature T_{min}	0 °C
Max. ambient temperature T_{max}	40 °C
Max. permitted total water hardness	3.21 mmol/l (18°dH)

Motor data

Mains connection	1~230 V, 50 Hz
Rated power P_2	38 W
Rated current I_N	0.43 A
Max. speed n_{max}	1900 1/min
Power consumption $P_{1 max}$	99 W
Emitted interference	EN 61000-6-3
Interference resistance	EN 61000-6-2
Protection class motor	IP44
Insulation class	F
Threaded cable connection	1 x PG11
Motor protection	no

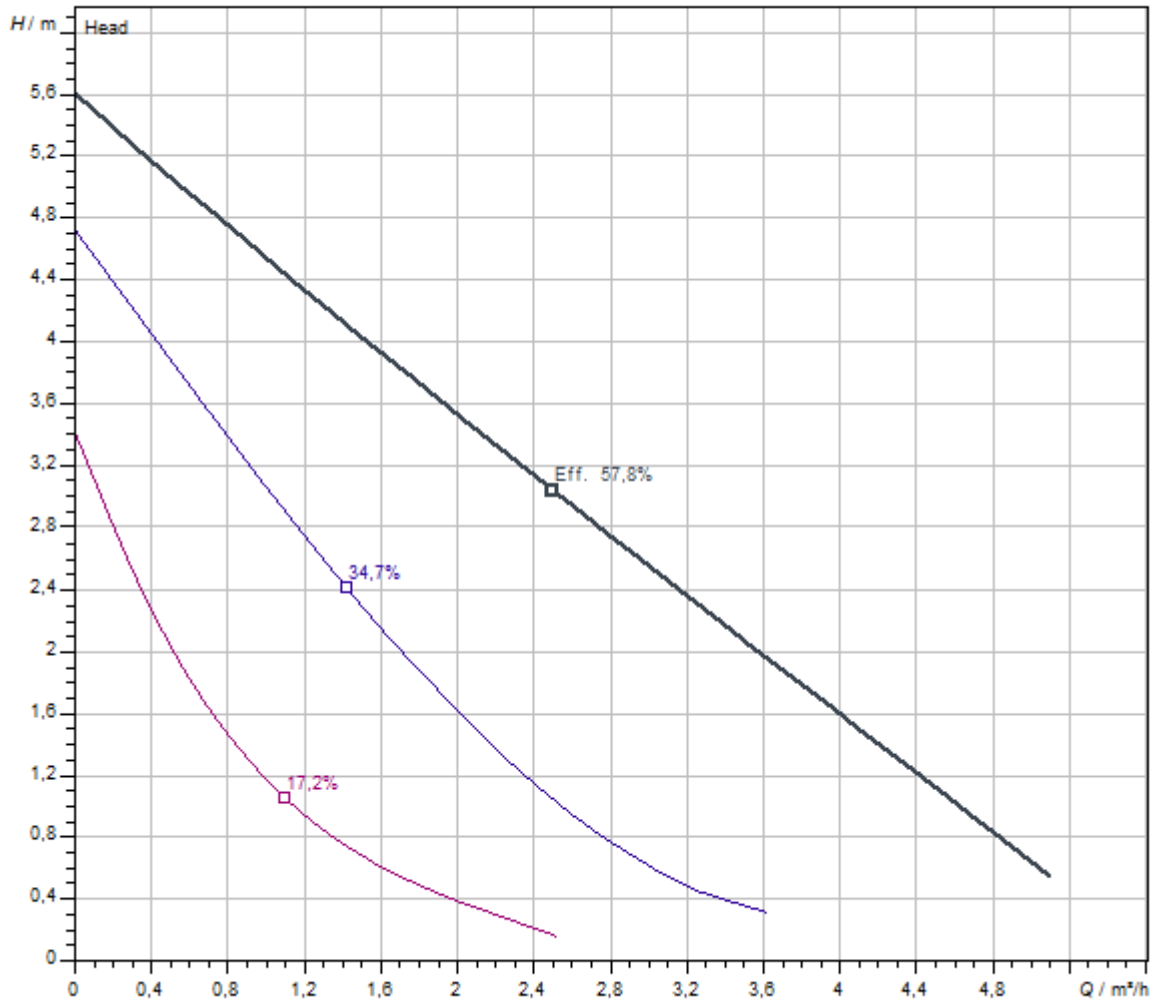
Materials

Pump housing	Bronze, CC499K
Impeller	PPE-GF30
Shaft	Oxide ceramic
Bearing	Carbon, synthetic resin-impregnated

Installation dimensions

Pipe connection on the suction side DN_s	G 1½
Pipe connection on the discharge side DN_d	G 1½
Port-to-port length L_0	180 mm

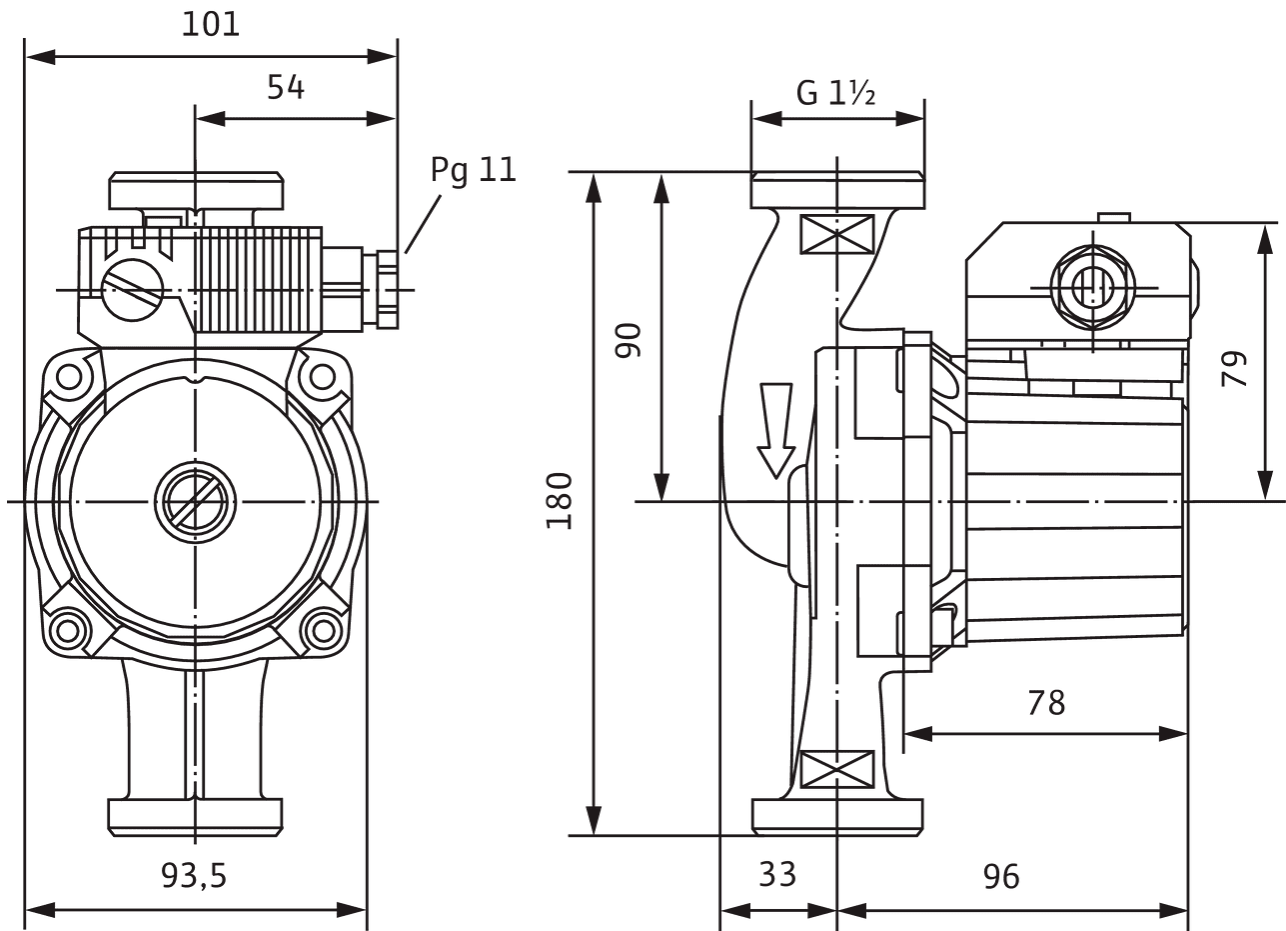
Pump curves



Fluid media	Water 100 %
Fluid temperature <i>T</i>	20,00 °C
speed at duty point <i>n hydr. @ OP</i>	2.900 1/min

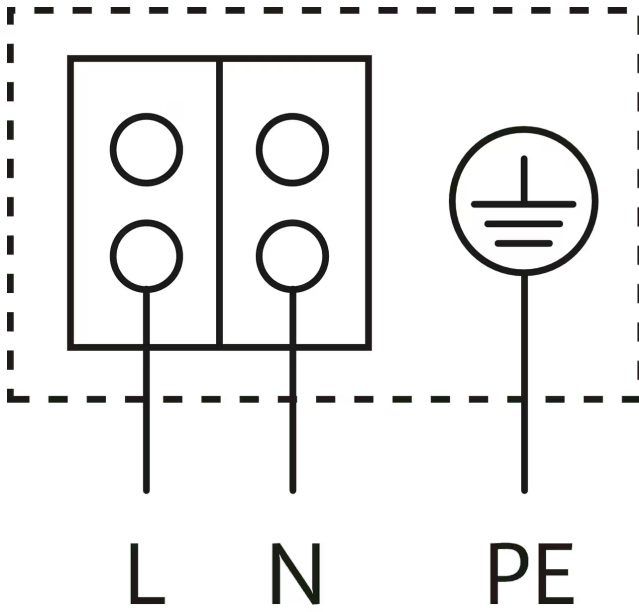
Dimensions and dimensions drawings

Star Z



Wiring diagram

Star-E



Blocking current-proof motor

Single-phase motor (EM) 2-pole - 1~230 V, 50 Hz

With built-in capacitor

Tender text

This circulator is suitable only for drinking water.
Domestic hot water circulator, glandless pump with manual three-stage variable speed control for pipe installation.

Blocking-current proof motor. Pump housing made of bronze, impeller made of fibreglass-reinforced plastic, ceramic shaft with resin-impregnated carbon friction bearings.

Operating Data

Max. fluid temperature T_{max}	65 °C
Min. fluid temperature T_{min}	2 °C
Min. ambient temperature T_{min}	0 °C
Max. ambient temperature T_{max}	40 °C
Temperature range at max. ambient temperature +40 °C T	+2...+65
Maximum operating pressure PN	10 bar
Max. permitted total water hardness	3.21 mmol/l (18°dH)

Motor data

Emitted interference	EN 61000-6-3
Interference resistance	EN 61000-6-2
Mains connection	1~230 V, 50 Hz
Power consumption $P_{1 max}$	99 W
Max. speed n_{max}	1900 1/min
Rated current I_N	0.43 A
Protection class motor	IP44
Threaded cable connection	1 x PG11


Materials

Pump housing	Bronze, CC499K
Impeller	PPE-GF30
Shaft	Oxide ceramic
Bearing	Carbon, synthetic resin-impregnated

Installation dimensions

Pipe connection on the suction side DN_s	G 1½
Pipe connection on the discharge side DN_d	G 1½
Port-to-port length L_0	180 mm

Ordering information

Brand	Wilo
Product description	Star-Z 25/6-3
Net weight, approx. m	2.6 kg
Article number	4047573 

Mechanical accessories

Pipe installation

Screwed connections/adapters

Screwed connection R 1/∅ 28 i x G 1½, 1 Set	112047195	EUR 34.-
Screwed connection R 1/∅ 28 i x G 1½, 24 Set	112047596	EUR 787.-
Adapter G 1½/G 2	4105914	EUR 31.-

Pipe installation, adapter fitting

Threaded adapter R

Threaded adapter R 5, MS	110678298	EUR 66.-
Threaded adapter R 12, MS	110788294	EUR 44.-

Thermal insulation

Size 14 thermal insulation shell

Thermal insulation shell (Size 14)	4046444	EUR 12.-
------------------------------------	---------	----------

Electrical accessories

Pump control

Timer switch SK 601N

Switchgear SK 601N	2120443	EUR 331.-
--------------------	---------	-----------