



Similar to figure

## Data sheet

### Hydraulic data

Maximum operating pressure $P_N$	10 bar
Min. fluid temperature $T_{min}$	-20 °C
Max. fluid temperature $T_{max}$	130 °C

### Materials

Pump housing	Grey cast iron
Impeller	PPE-GF30
Shaft	Stainless steel
Bearing	Carbon-graphite

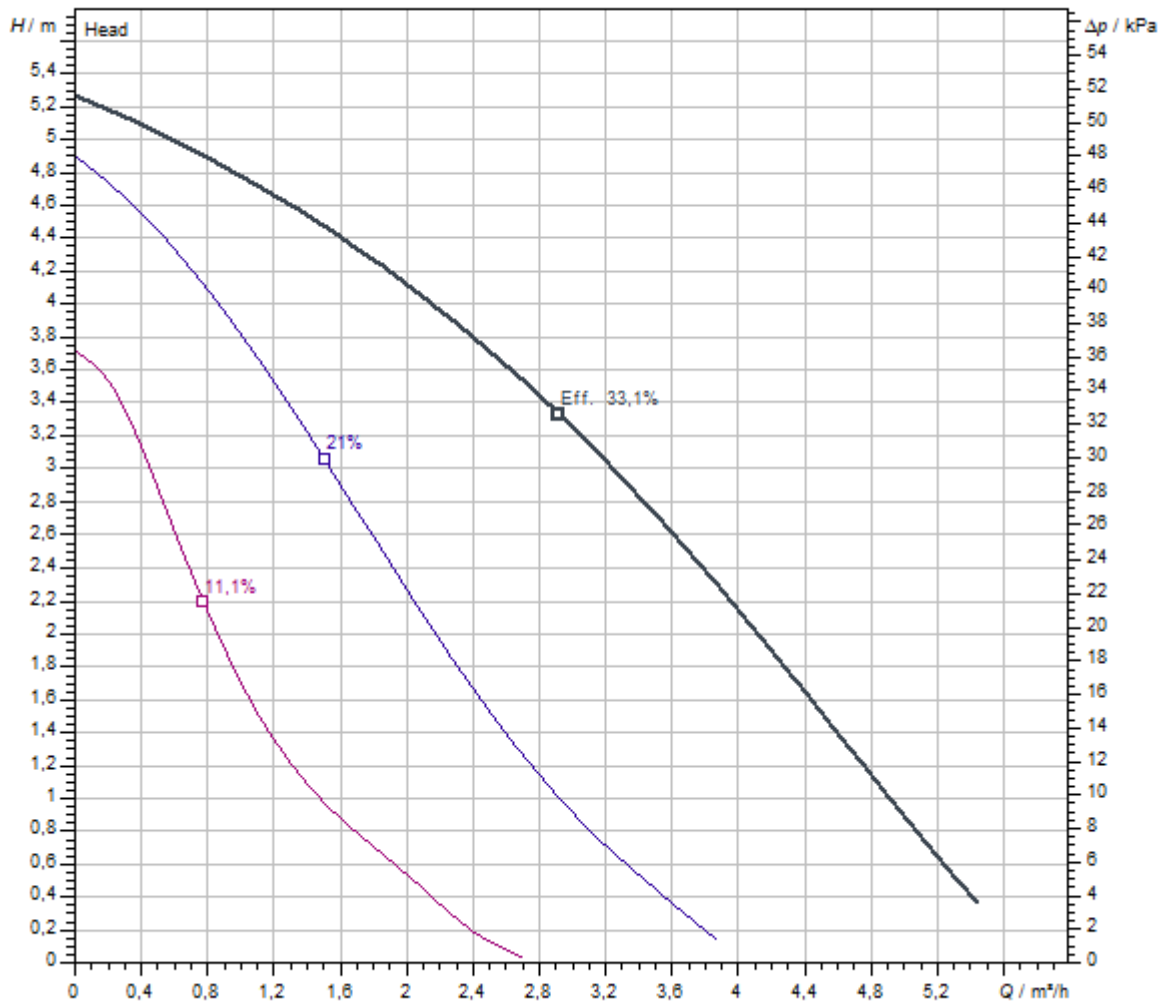
### Motor data

Mains connection	1~230 V, 50 Hz
Rated current $I_N$	0.4 A
Max. speed $n_{max}$	2650 1/min
Power consumption $P_1$ (Q=max.) of selected impeller * number of pumps $P_1$	150 W
Emitted interference	EN 61000-6-3
Interference resistance	EN 61000-6-2
Protection class motor	IPX4D

### Installation dimensions

Pipe connection on the suction side $D_Ns$	G 1½
Port-to-port length $L_0$	180 mm

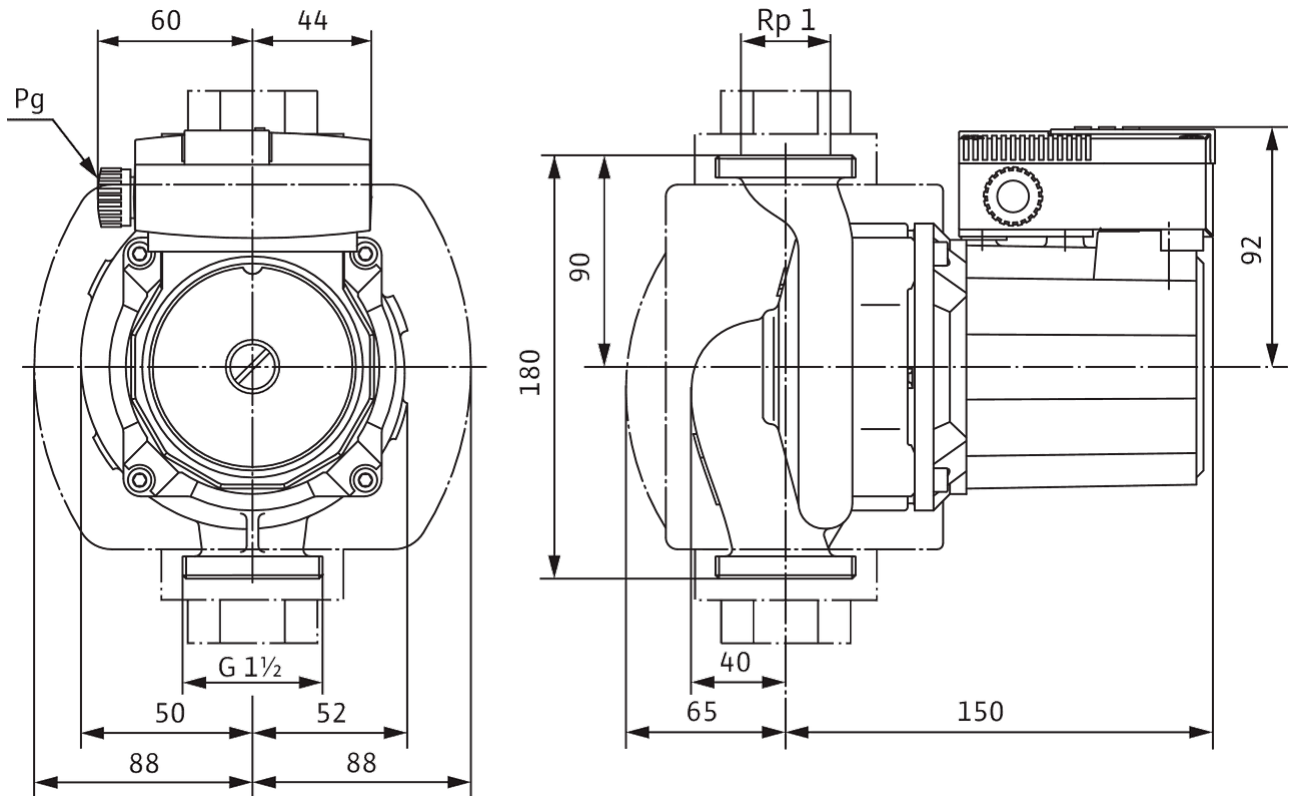
Pump curves



Fluid media	Water 100 %
Fluid temperature <i>T</i>	20,00 °C
speed at duty point <i>n hydr. @ OP</i>	2.900 1/min

Dimensions and dimensions drawings

TOP-S



## Tender text

Can be used for hot-water heating systems of all kinds, industrial circulation systems, air-conditioning systems and closed cooling circuits.

Glandless circulator with screwed or flange connection, preselectable speed stages for power adjustment.

## Equipment and function

- > Manual power adjustment with 3 speed stages
- > Pumps with 1~ motor:
  - > P2 up to 90 W: internal protection against unacceptably high winding temperatures
  - > P2  $\geq$  180 W: Full motor protection with thermal winding contacts in conjunction with tripping unit (optional: SK 602N/SK 622N)
- > Pumps with 3~ motor:
  - > P2 up to 90 W: internal protection against unacceptably high winding temperatures
  - > P2  $\geq$  180 W: Full motor protection with thermal winding contacts in conjunction with tripping unit (optional: SK 602N/SK 622N)
  - > Mains connection 3~, 230 V with optional switching plug
- > Cathaphoretic-coated pump housing for optimal corrosion protection
- > PN 6/PN 10 combination flange (for DN 40 to DN 65)
- > Thermal insulation shell for heating applications

## Operating Data

Min. fluid temperature $T_{\min}$	-20 °C
Max. fluid temperature $T_{\max}$	130 °C
Min. ambient temperature $T_{\min}$	-20 °C
Max. ambient temperature $T_{\max}$	40 °C
Maximum operating pressure $PN$	10 bar

## Motor data

Emitted interference	EN 61000-6-3
Interference resistance	EN 61000-6-2
Mains connection	1~230 V, 50 Hz
Power consumption $P_{1\max}$	150 W
Max. speed $n_{\max}$	2650 1/min
Rated current $I_N$	0.4 A
Protection class motor	IPX4D


## Materials

Pump housing	Grey cast iron
Impeller	PPE-GF30
Shaft	Stainless steel
Bearing	Carbon-graphite

## Installation dimensions

Pipe connection on the suction side $DN_s$	G 1½
Pipe connection on the discharge side $DN_d$	G 1½
Port-to-port length $L_0$	180 mm

## Ordering information

Brand	Wilo
Product description	TOP-S 25/5 (1~230 V, PN 10)
Net weight, approx. $m$	3.9 kg
Article number	<b>2044009</b> 

## Mechanical accessories

### Pipe installation

---

#### Screwed connections/adapters

Screwed connection Rp 1 x G 1½, 72 Set	112047298
Screwed connection Rp 1 x G 1½, 1 Set	4092741
Adapter G 1½/G 2	4105914

---

### Pipe installation, adapter fitting

---

#### Flanged rings RF

Flanged ring RF 7, PN6	110628790
Flanged ring RF 9, PN6	110679395
Flanged ring RF 13, PN6	110679498
Flanged ring RF 10, PN6	110851499

---

#### Threaded adapter R

Threaded adapter R 2, GG	110626790
Threaded adapter R 6, GG	110678493
Threaded adapter R 1, GG	110786891
Threaded adapter R 7, GG	110787094
Threaded adapter R 24, GG	110880596

## Electrical accessories

### Pump control/accessories

#### Antenna GSM/GPRS

D-network dual-band antenna with 3 m cable	2533862
D-network tri-band antenna 10 m cable	2533863
D-network tri-band antenna 15 m cable	2533864
SMA/FME adapter	2545548

#### BMS base module

BMS base module	2533800
-----------------	---------

#### CC communication module BACnet

CC-communication module BACnet MS/TP (slave)	2537050
CC-communication module BACnet IP (slave)	2537051

#### Communication module CC

CC communication module	2533850
-------------------------	---------

#### Communication module GSM

GSM module	2533861
------------	---------

#### Communication module GSM (SC)

Communication module GSM (SC)	2542216
-------------------------------	---------

#### Communication module LON

Communication module LON	2533868
--------------------------	---------

#### Communication module LON (SC)

Communication module LON (SC)	2538243
-------------------------------	---------

#### Communication module ModBus

Communication module Modbus RTU	2533869
---------------------------------	---------

#### Communication module Profibus

Communication module Profibus DP	2533866
----------------------------------	---------

#### Connection cable control modules/signalling modules

Control modules connecting cable	2533790
Signalling modules connecting cable	2533890

#### DDG impulse selector

DDG impulse selector	2533770
<b>Outdoor temperature sensor Pt 100</b>	
Outdoor temperature sensor Pt 100	2533772
<b>Pump signalling module</b>	
Signalling module pump 1-2	2533812
Signalling module pump 3-6	2533836
<b>SC communication module BACnet</b>	
SC-communication module BACnet MS/TP (slave)	2538242
BACnet IP SC communication module	2553366
<b>SC-HVAC signal board</b>	
SC-HVAC signal board	2119646
<b>Signal converter retrofit kit</b>	
Signal converter 0-10 V / 0-20 mA	2534992
<b>Temperature module</b>	
Temperature module for systems with 4-6 pumps	2533771
Temperature module for systems with 1-3 pumps	2534991
<b>Differential pressure detection</b>	
<b>DDA</b>	
Display unit for diff. pressure DDA 16	502856499
Display unit for diff. pressure DDA 6	503003598
Display unit for diff. pressure DDA 40	503217592
<b>DDG (4-20mA)</b>	
Wilo-DDG 10 Signal Trans.(4-20mA)2G VP.	2136454
Wilo-DDG 20 Signal Trans.(4-20mA)2G VP.	2136456
Wilo-DDG 40 Signal Trans.(4-20mA)2G VP.	2136458
Wilo-DDG 60 Signal Trans.(4-20mA)2G VP.	2136460
Wilo-DDG 100 Signal Trans.(4-20mA)	2211740
<b>DDG power supply unit</b>	
DDG power supply unit	501865293
<b>DDG transducer</b>	
DDG transducer	501771990

---

## Motor protection

---

### PTC thermistor tripping unit

PTC thermistor tripping unit	509275993
------------------------------	-----------

---

### SK 602N

Switchgear SK 602N	2120444
--------------------	---------

---

### SK 622N

Switchgear SK 622N	2120445
--------------------	---------

---