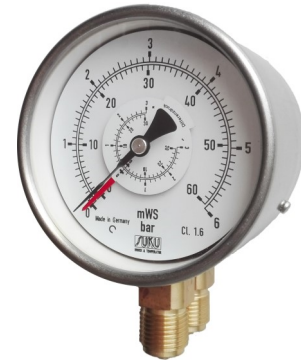


**DIFFERENTIAL PRESSURE GAUGE  
WITH 2 BOURDON TUBES**  
wetted parts in brass or stainless steel  
bottom connection one behind the other



**Nominal size 100 and 160**  
**Accuracy class 1,6**  
**DIN EN 837-1**

Differential pressure gauges with 2 bourdon tubes are inexpensive devices for measuring two different pressures with direct display of the differential pressure. The highest pressure occurring in the system must not be higher than the full scale value! For pressure measurements of neutral gases and liquids, for example on heating systems (flow and return) or on filter systems.



| Type                                 | 5630   | 5635                | 5632                   | 5636                | Options                                   |
|--------------------------------------|--|---------------------|------------------------|---------------------|---|
| Nominal size                         | 100  | 160                 | 100                    | 160                 |   |
| Symbol                               |  |                     |                        |                     | Filled case with glycerine or special oil |
| Accuracy                             | Class 1,6  |                     |                        |                     |   |
| Measuring ranges                     | 0...0,6 - 0...600 bar  | 0...1 - 0...600 bar | 0...0,6 - 0...600 bar  | 0...1 - 0...600 bar |   |
| Application                          | Constant load: end of scale value<br>Alternating load: 0,9 x end of scale value<br>Overload capacity: end of scale value   |                     |                        |                     |   |
| Case and bayonet ring                | 1.4301   |                     |                        |                     | 5630 with stainless steel slip-on ring    |
| Process connection                   | 2 x G1/2 B on behind the other marked with + (higher pressure) and - (lower pressure)  |                     |                        |                     | M20x1,5, 1/2NPT others on request         |
| Connection material                  | Brass  |                     | 1.4571                 |                     |   |
| Bourdon tubes                        | ≤ 60 bar bronze - C-form, soft soldered<br>≥ 100 bar 1.4571 - helical, silver brazed   |                     | 1.4571                 |                     |   |
| Sealing                              | NBR  |                     | Viton                  |                     |   |
| Window                               | Instrument glass   |                     | Laminated safety glass |                     |   |
| Movement                             | Brass / German silver  |                     |                        |                     |   |
| Dial                                 | Aluminium white, scale and lettering black<br>Dial with double scale bar/mWS for the reading of the pressures in each system<br>Add.provided with turnable scale disc bar/mWS for direct indication - positive or negative differentail pressure |                     |                        |                     |   |
| Pointer                              | 1 knife-edge pointer aluminium alloy black and<br>1 pointer aluminium red fixed to the turnable scale disc   |                     |                        |                     |   |
| Protection class                     | IP 32 (EN 60529/IEC 529) Type 5630 with slip-on ring<br>IP 54 (EN 60529/IEC 529), IP 65 filled devices   |                     |                        |                     |   |
| Temperature storage<br>Temp. ambient | -40°C up to +70°C, with glycerine filling -20°C up to +70°C<br>-40°C up to +60°C, with glycerine filling -20°C up to +60°C   |                     |                        |                     |   |
| Temperature<br>Medium                | max. +60°C (soft soldered)<br>max. +100°C (silver brazed)  |                     | max. +100°C            |                     | 5632, 5636<br>medium max.+130°C           |
| Temperature drift                    | Deviation of up to 0.4% at 10 K from the reference temperature of + 20 °C  |                     |                        |                     |   |
| Mounting optional                    | Front mounting flange, rear mounting flange,<br>Filled case versions: mounting brackets welded to the case and a sep. front flange with loose cover  |                     |                        |                     |   |

**Type 5630, 5632, 5635, 5636**

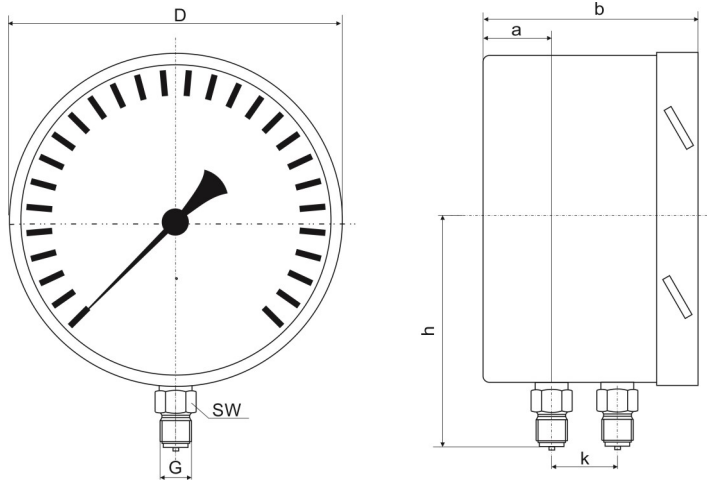
## Dimensional drawing

Dimensions in mm



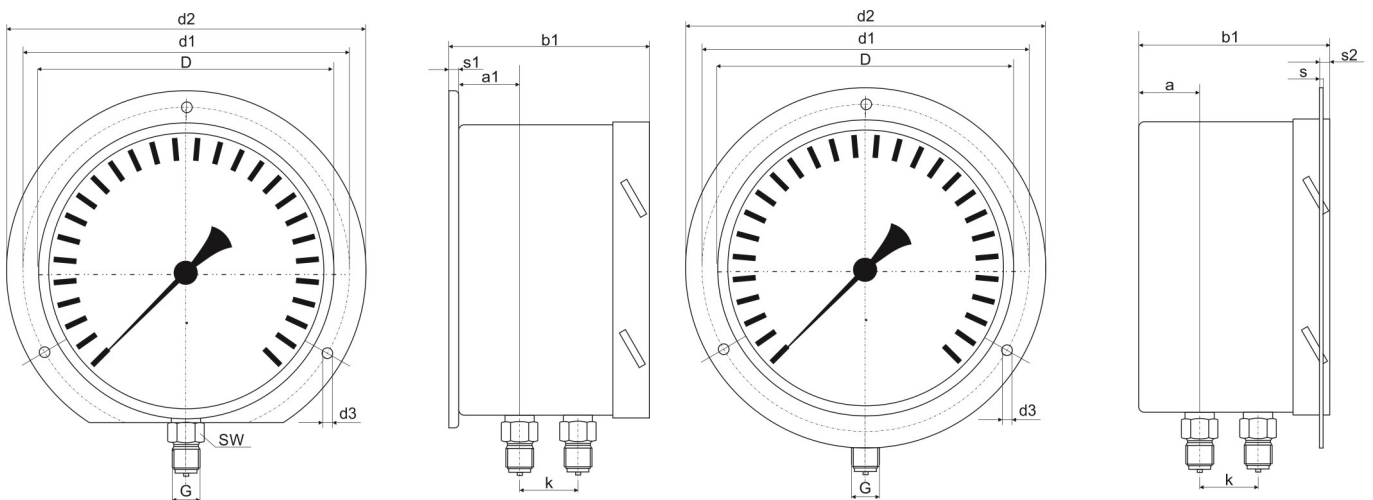
DRUCK & TEMPERATUR

Type 5630, 5632, 5635, 5636



Rear mounting flange

Front flange with long holes attached to the case and a separate cover front flange (case without filling)



Front flange at filled case version:

Mounting brackets welded to the case and a separate front flange (no dimensional drawing).

| Type | NS  | D   | d1  | d2  | a  | a1 | b   | b1    | h   | s | s1 | s2 | k  | d3  | SW | G       | Weight without filling and mounting device |
|------|-----|-----|-----|-----|----|----|-----|-------|-----|---|----|----|----|-----|----|---------|--|
| 5630 | 100 | 100 | 116 | 132 | 15 | 19 | 85  | 89    | 85  | 2 | 6  | 6  | 32 | 4,8 | 22 | G 1/2 B | approx. 0,9 kg                             |
| 5632 | 100 | 100 | 116 | 132 | 15 | 19 | 85  | 89    | 85  | 2 | 6  | 6  | 32 | 4,8 | 22 | G 1/2 B | approx. 0,9 kg                             |
| 5635 | 160 | 160 | 178 | 196 | 33 | 37 | 104 | 106,5 | 115 | 2 | 6  | 6  | 32 | 5,8 | 22 | G 1/2 B | approx. 1,5 kg                             |
| 5636 | 160 | 160 | 178 | 196 | 33 | 37 | 104 | 106,5 | 115 | 2 | 6  | 6  | 32 | 5,8 | 22 | G 1/2 B | approx. 1,5 kg                             |