

**Qty. Description**

1 **UPS 32-80 N 180**



**Note! Product picture may differ from actual product**

Product No.: [95906448](#)

The pump is of the canned rotor type, i.e. pump and motor form an integral unit without shaft seal and with only two gaskets for sealing.

The bearings are lubricated by the pumped liquid.

The pump has 3-step speed selector.

The pump is characterized by:

- \* Ceramic shaft and radial bearings.
- \* Carbon axial bearing.
- \* Stainless steel rotor can and bearing plate.
- \* Corrosion-resistant impeller, Composite.
- \* Stainless steel pump housing.

The motor is a 1-phase motor.

No additional motor protection is required.

**Liquid:**

Pumped liquid: Water  
 Liquid temperature range: -25 .. 110 °C  
 Selected liquid temperature: 60 °C  
 Density: 983.2 kg/m<sup>3</sup>

**Technical:**

Rated flow: 5.12 m<sup>3</sup>/h  
 Rated head: 5.2 m  
 TF class: 110  
 Approvals: AAA,CE,EAC,WEEE,RCM

**Materials:**

Pump housing: Stainless steel  
 EN 1.4308  
 AISI 304  
 Impeller: Composite  
 PES+30% GF

**Installation:**

Range of ambient temperature: 0 .. 40 °C  
 Amb. max at 80 dgr C liquid: 40 °C  
 Maximum operating pressure: 10 bar  
 Type of connection: G  
 Size of connection: 2 inch  
 Pressure rating for connection: PN 10  
 Port-to-port length: 180 mm

**Electrical data:**

Power input in speed 1: 135 W



Company name:

Created by:

Phone:

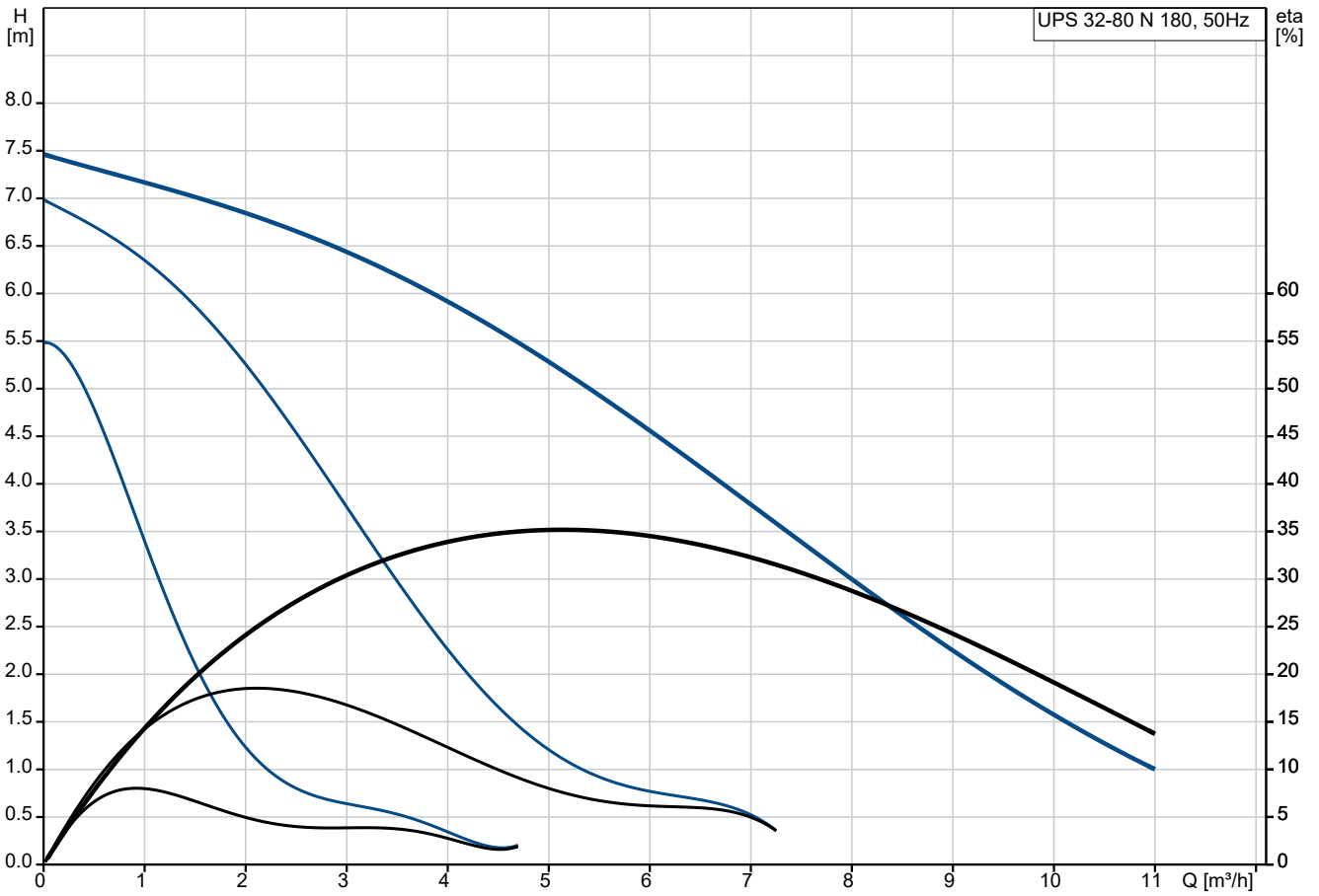
Date:

04/06/2024

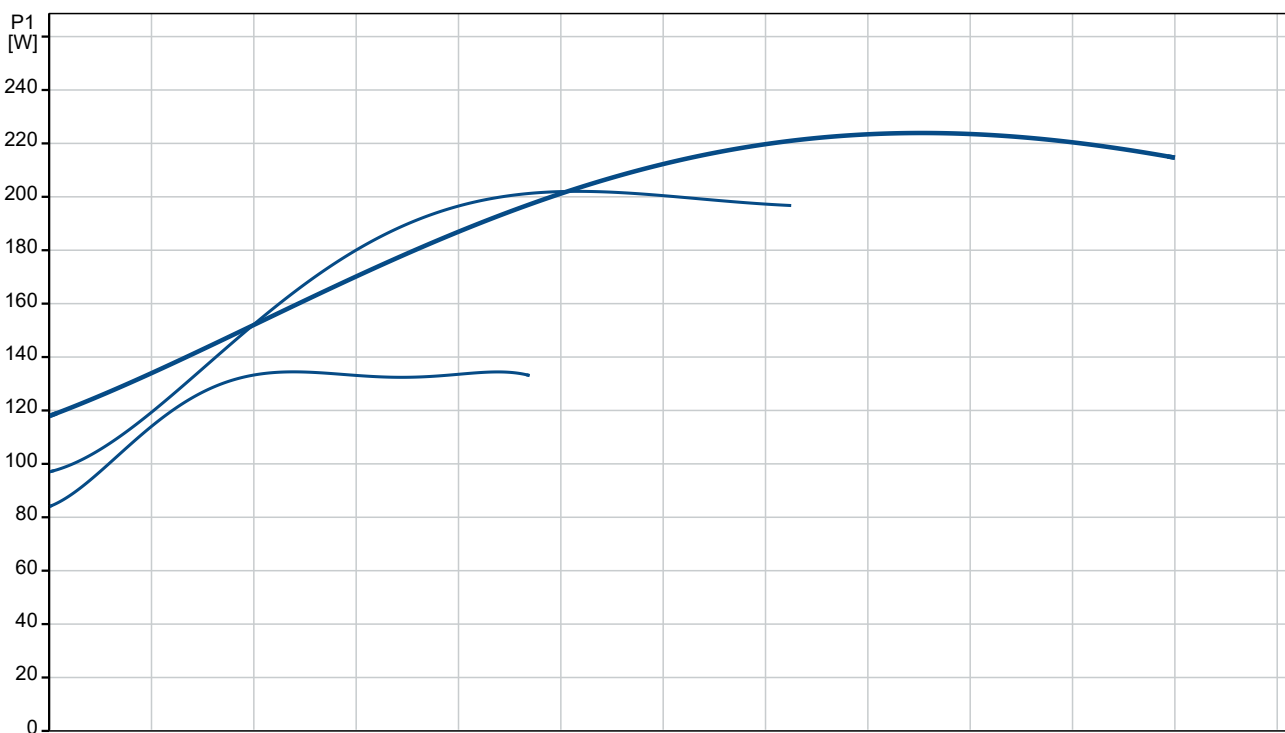
**Qty. Description**

1	Power input in speed 2:	200 W
	Max. power input:	220 W
	Mains frequency:	50 Hz
	Rated voltage:	1 x 230 V
	Current in speed 1:	0.6 A
	Current in speed 2:	0.9 A
	Current in speed 3:	0.98 A
	Capacitor size - run:	4 µF
	Enclosure class (IEC 34-5):	X2D
	Insulation class (IEC 85):	F
	Built-in motor protection:	CONTACT
	Others:	
	Terminal box position:	9H
	Net weight:	4.8 kg
	Gross weight:	5.08 kg
	Shipping volume:	0.008 m <sup>3</sup>
	Danish VVS No.:	380648100
	Swedish RSK No.:	5803139
	Finnish LVI No.:	4615612
	Country of origin:	RS
	Custom tariff no.:	84137030

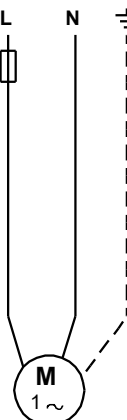
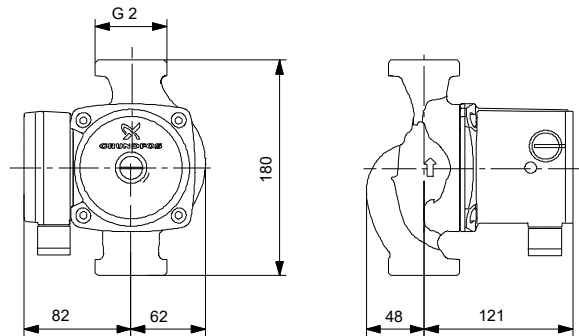
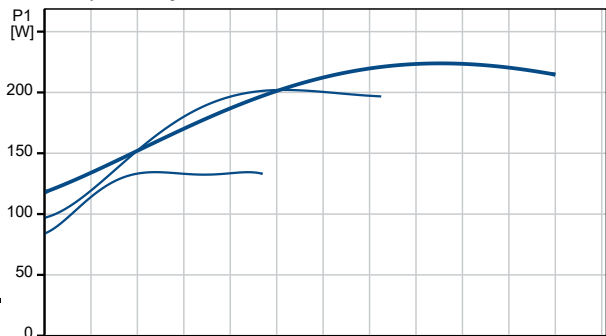
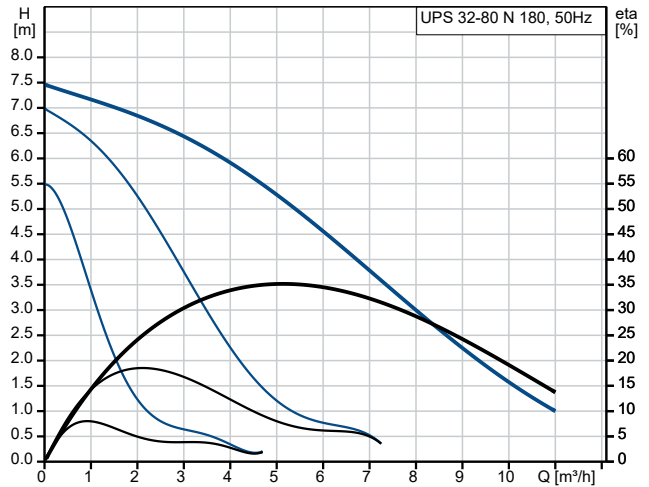
## 95906448 UPS 32-80 N 180 50 Hz



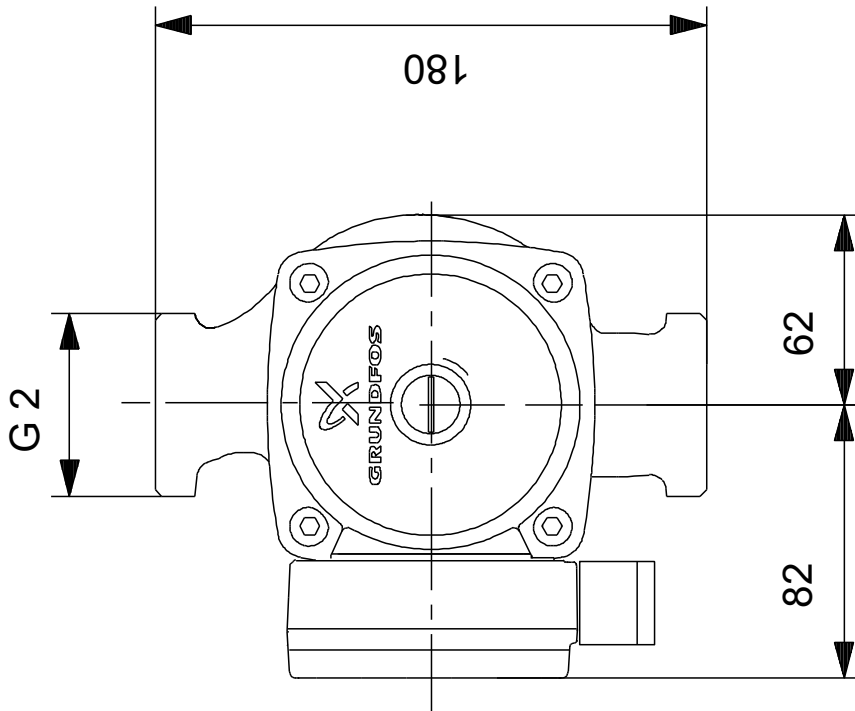
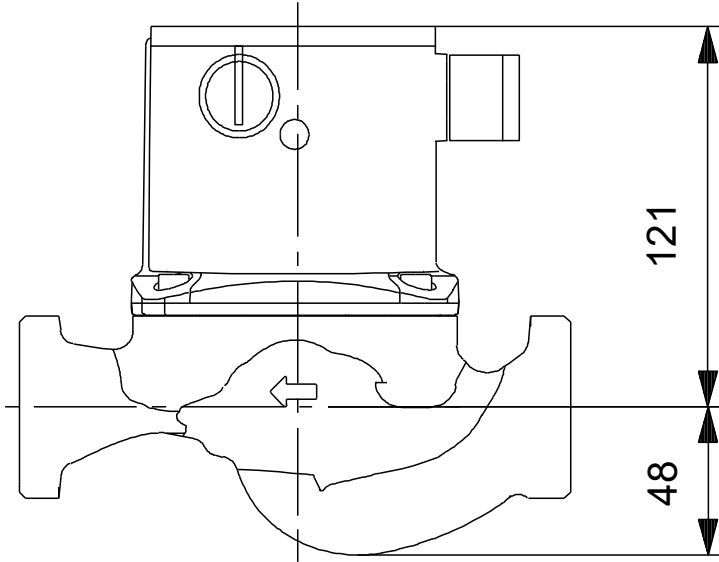
Pumped liquid = Water  
 Liquid temperature during operation = 60 °C  
 Density = 983.2 kg/m³



Description	Value
<b>General information:</b>	
Product name:	UPS 32-80 N 180
Product No:	95906448
EAN number:	5700310353869
<b>Technical:</b>	
Speed no:	3
Rated flow:	5.12 m³/h
Rated head:	5.2 m
Maximum head:	80 dm
TF class:	110
Approvals:	AAA,CE,EAC,WEEE,RCM
<b>Materials:</b>	
Pump housing:	Stainless steel
Pump housing:	EN 1.4308
Pump housing:	AISI 304
Impeller:	Composite
Impeller:	PES+30% GF
<b>Installation:</b>	
Range of ambient temperature:	0 .. 40 °C
Amb. max at 80 dgr C liquid:	40 °C
Maximum operating pressure:	10 bar
Type of connection:	G
Size of connection:	2 inch
Pressure rating for connection:	PN 10
Port-to-port length:	180 mm
<b>Liquid:</b>	
Pumped liquid:	Water
Liquid temperature range:	-25 .. 110 °C
Selected liquid temperature:	60 °C
Density:	983.2 kg/m³
<b>Electrical data:</b>	
Power input in speed 1:	135 W
Power input in speed 2:	200 W
Max. power input:	220 W
Mains frequency:	50 Hz
Rated voltage:	1 x 230 V
Current in speed 1:	0.6 A
Current in speed 2:	0.9 A
Current in speed 3:	0.98 A
Capacitor size - run:	4 µF
Enclosure class (IEC 34-5):	X2D
Insulation class (IEC 85):	F
Built-in motor protection:	CONTACT
Thermal protec:	INT.
<b>Others:</b>	
Terminal box position:	9H
Net weight:	4.8 kg
Gross weight:	5.08 kg
Shipping volume:	0.008 m³
Danish VVS No.:	380648100
Swedish RSK No.:	5803139
Finnish LVI No.:	4615612
Country of origin:	RS
Custom tariff no.:	84137030

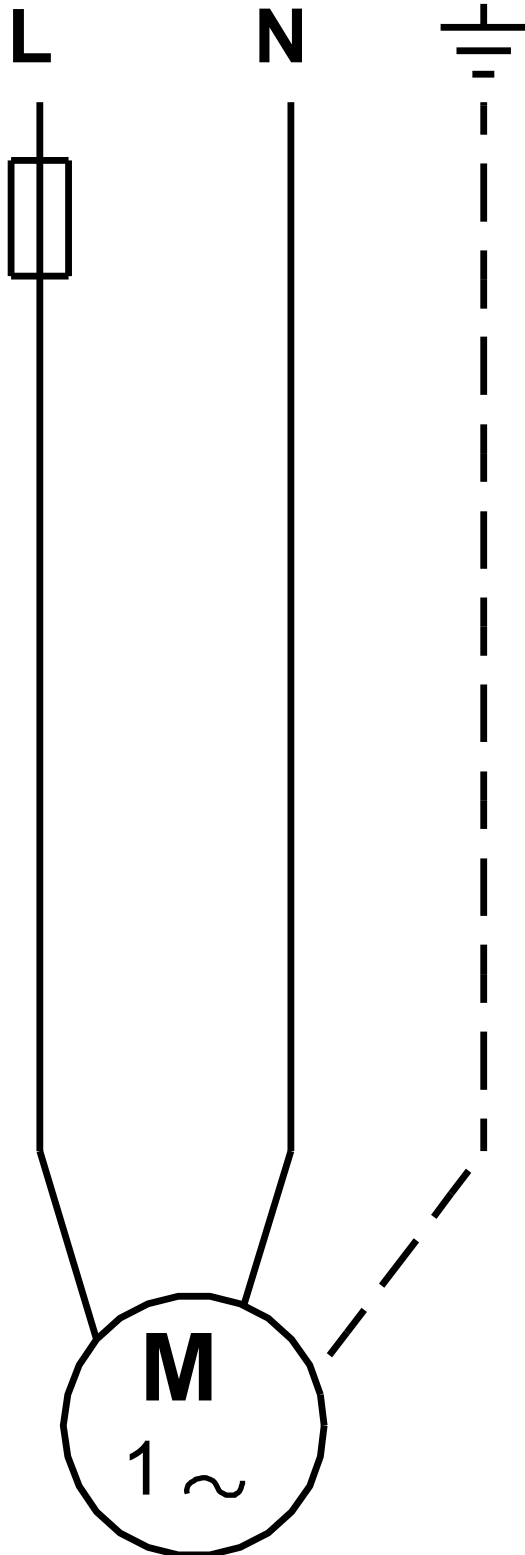


**95906448 UPS 32-80 N 180 50 Hz**



Note! All units are in [mm] unless others are stated.  
Disclaimer: This simplified dimensional drawing does not show all details.

95906448 UPS 32-80 N 180 50 Hz



Note! All units are in [mm] unless others are stated.