

Qty. Description

1 PM 2



Note! Product picture may differ from actual product

Product No.: [96848740](#)

Grundfos PM2 pressure manager is an electronic pressure manager primarily for controlling Grundfos pumps, but it can also be used for other water supply pumps.

The pressure manager offers an adjustable start from 1.5 to 5 bar, allowing for adaptation to the individual installation.

The installation can be done either vertically, horizontally, or at an angle, if the space is confined.

The display can be adjusted within 360 degrees to always have the optimal viewing angle.

When the start pressure is reached, the pump is started and kept running as long as the pressure manager senses a flow.

The pressure manager has an electronic interface with LED indicators, which shows the status for power on, pump running, and alarm indication.

The pressure manager incorporates functions for pump and installation protection.

These functions are dry running protection, cycling alarm, and maximum continuous operation time of 30 minutes. A non-return valve for backflow prevention is already integrated.

The pressure manager can be optimised for operation with a large external pressure tank by enabling the 1 bar differential pressure function.

This significantly reduces the number of operating hours of the pump in installations with a pressure tank.

Additionally, the pressure manager features an LED pressure indication.

Pressure managers are available as a stand-alone solution for a new or retrofit installation, or as part of a Grundfos domestic water solution.

Controls:

Type of connector: Type E/F (CEE7/7)

Dry running protection: YES

Liquid:

Liquid temperature range: 0 .. 40 °C

Technical:

Approvals: CE,EAC,RCM

Approvals for drinking water: WRAS,ACS

Return valve: YES

Adjustable start pressure (Yes/No): Y

Start pressure: 1.5 - 5.0 bar

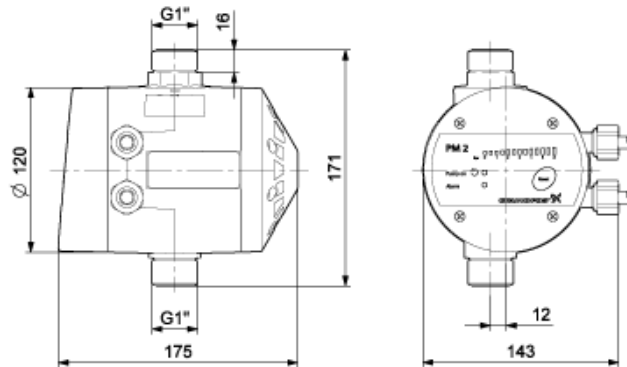
Materials:

Pump housing: Composite

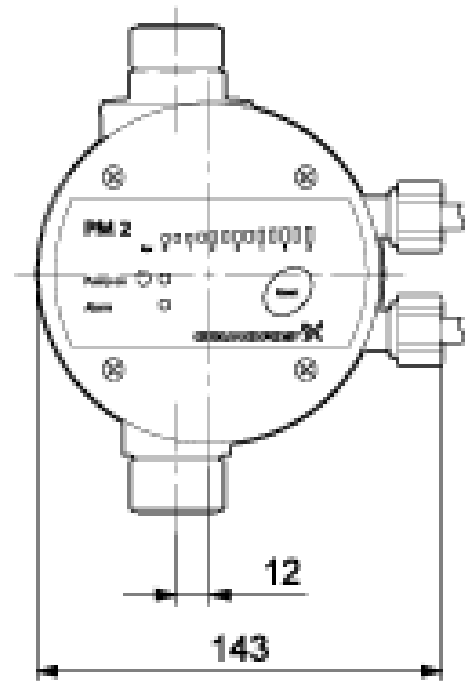
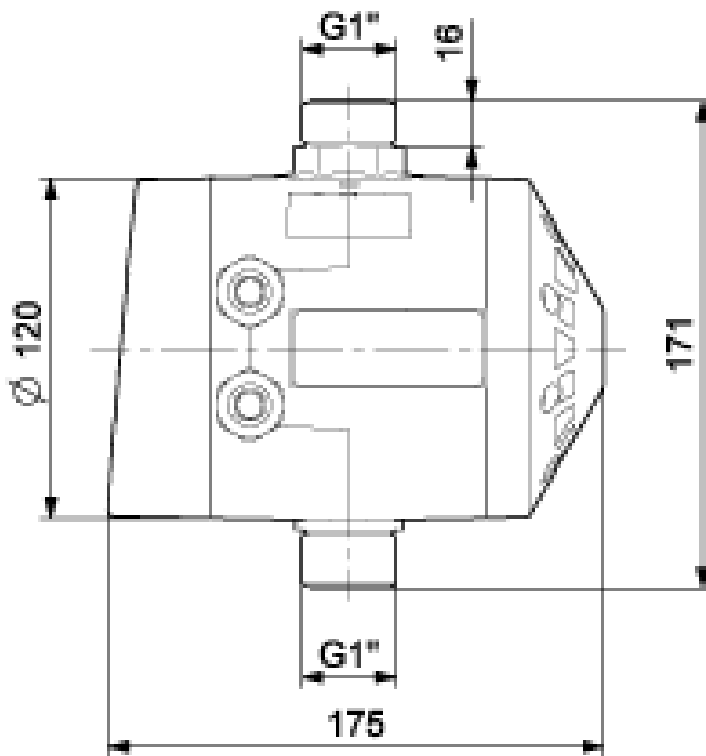
Qty. Description

1	<p>Polypropylene</p> <p>Installation:</p> <p>Maximum ambient temperature: 50 °C</p> <p>Maximum operating pressure: 145 bar</p> <p>Inlet connect: G1"</p> <p>Outlet connect: G1"</p> <p>Inlet thread: EXTERNAL</p> <p>Outlet thread: EXTERNAL</p> <p>Electrical data:</p> <p>P1 max.: 2000 W</p> <p>Mains frequency: 50 / 60 Hz</p> <p>Suitable for 50/60 Hz: Yes</p> <p>Rated voltage: 1 x 220-240 V</p> <p>Maximum current consumption: 10 A</p> <p>Enclosure class (IEC 34-5): IP65</p> <p>Length of cable: 1.5 m</p> <p>Length of power cable: 0.5 m</p> <p>Power plug: Schuko plug</p> <p>Tank:</p> <p>Tank volume: 0.1 l</p> <p>Others:</p> <p>Net weight: 1.42 kg</p> <p>Gross weight: 2.2 kg</p> <p>Shipping volume: 0.01 m³</p> <p>Danish VVS No.: 385549232</p> <p>Swedish RSK No.: 5928695</p> <p>Finnish LVI No.: 4772013</p> <p>Country of origin: IT</p> <p>Custom tariff no.: 85371098</p> <p>Environmental approvals: WEEE</p>
---	--

Description	Value
General information:	
Product name:	PM 2
Product No:	96848740
EAN number:	5700311918777
Technical:	
Approvals:	CE,EAC,RCM
Approvals for drinking water:	WRAS,ACS
Return valve:	YES
Adjustable start pressure (Yes/No):	Y
Start pressure:	1.5 - 5.0 bar
Materials:	
Pump housing:	Composite
Pump housing:	Polypropylene
Installation:	
Maximum ambient temperature:	50 °C
Maximum operating pressure:	145 bar
Inlet connect:	G1"
Outlet connect:	G1"
Inlet thread:	EXTERNAL
Outlet thread:	EXTERNAL
Liquid:	
Liquid temperature range:	0 .. 40 °C
Electrical data:	
P1 max.:	2000 W
Mains frequency:	50 / 60 Hz
Suitable for 50/60 Hz:	Yes
Rated voltage:	1 x 220-240 V
Maximum current consumption:	10 A
Enclosure class (IEC 34-5):	IP65
Length of cable:	1.5 m
Length of power cable:	0.5 m
Power plug:	Schuko plug
Controls:	
Type of connector:	Type E/F (CEE7/7)
Dry running protection:	YES
Tank:	
Tank volume:	0.1 l
Others:	
Net weight:	1.42 kg
Gross weight:	2.2 kg
Shipping volume:	0.01 m ³
Danish VVS No.:	385549232
Swedish RSK No.:	5928695
Finnish LVI No.:	4772013
Country of origin:	IT
Custom tariff no.:	85371098
Environmental approvals:	WEEE



96848740 PM 2



Note! All units are in [mm] unless others are stated.
Disclaimer: This simplified dimensional drawing does not show all details.