



## Data sheet

### Hydraulic data

Maximum operating pressure $P_N$	10 bar
Delivery head for $Q_{min}$ $H_{Q_{min}}$	1.0 m
Max. volume flow $Q_{max}$	0.4 m <sup>3</sup> /h
Min. fluid temperature $T_{min}$	2 °C
Max. fluid temperature $T_{max}$	95 °C
Min. ambient temperature $T_{min}$	2 °C
Max. ambient temperature $T_{max}$	40 °C
Max. permitted total water hardness	3.57 mmol/l (20°dH)

### Motor data

Mains connection	1~230 V, 50 Hz
Rated power $P_2$	5 W
Rated current $I_N$	0.05 A
Max. speed $n_{max}$	3000 1/min
Power consumption $P_{1 min}$	3 W
Power consumption $P_{1 max}$	5 W
Emitted interference	EN 61000-6-3
Interference resistance	EN 61000-6-2
Protection class motor	IP42
Insulation class	F
Threaded cable connection	1 x PG11
Motor protection	no

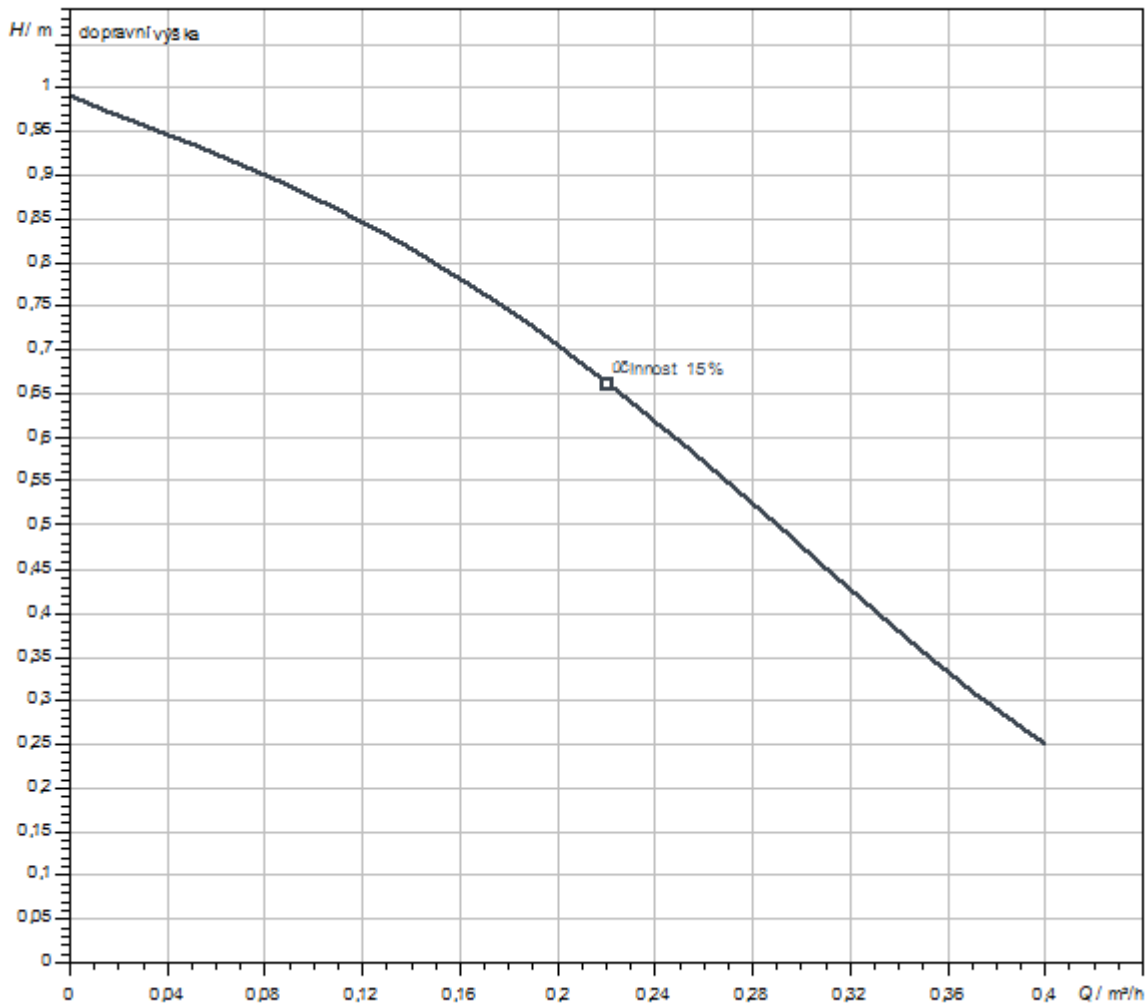
### Materials

Pump housing	Brass, CW617N
Impeller	PPE/PS-GF30
Shaft	Ceramic
Bearing	Carbon, synthetic resin-impregnated

### Installation dimensions

Thread	G 1
Pipe connection on the suction side $DN_s$	G 1
Pipe connection on the discharge side $DN_d$	G 1
Port-to-port length $L_0$	138 mm

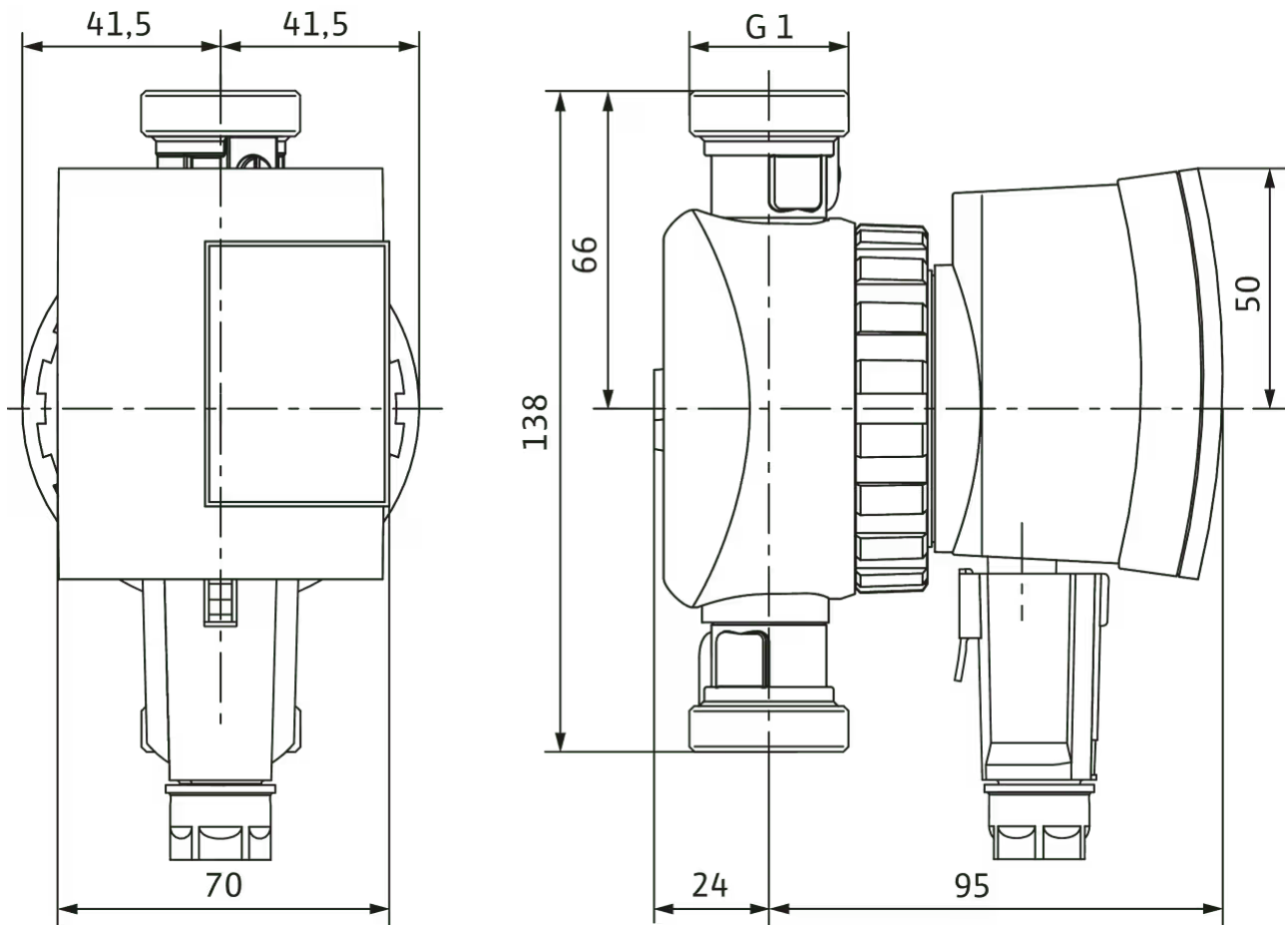
Pump curves



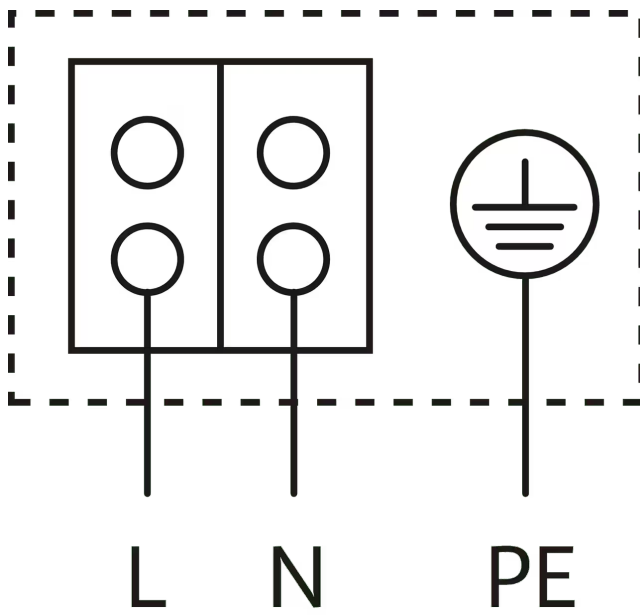
Fluid media	Water 100 %
Fluid temperature <i>T</i>	20,00 °C
speed at duty point <i>n hydr. @ OP</i>	2.900 1/min

Dimensions and dimensions drawings

Star Z-NOVA



Wiring diagram



Blocking current-proof motor

Single-phase motor (EM) 2-pole - 1~230 V, 50 Hz

## Tender text

This circulator is suitable only for drinking water.

Wilo-Star-Z NOVA domestic hot water circulator (glandless pump version) for single-family houses.

Pump for pipe installation, blocking-current proof synchronous motor with high starting torque.

Brass pump housing, Noryl impeller, ceramic shaft.

Power consumption of 3 – 5 W.

Equipped with thermal insulation shell as standard, housing thread Rp ½.

Pump complete with ball shut-off and non-return valves with G1 thread.

## Operating Data

Max. fluid temperature $T_{max}$	95 °C
Min. fluid temperature $T_{min}$	2 °C
Min. ambient temperature $T_{min}$	2 °C
Max. ambient temperature $T_{max}$	40 °C
Temperature range at max. ambient temperature +40 °C $T$	+2...+65
Maximum operating pressure $PN$	10 bar
Max. permitted total water hardness	3.57 mmol/l (20°dH)

## Motor data

Emitted interference	EN 61000-6-3
Interference resistance	EN 61000-6-2
Mains connection	1~230 V, 50 Hz
Power consumption $P_{1 max}$	5 W
Max. speed $n_{max}$	3000 1/min
Rated current $I_N$	0.05 A
Protection class motor	IP42
Threaded cable connection	1 x PG11


## Materials

Pump housing	Brass, CW617N
Impeller	PPE/PS-GF30
Shaft	Ceramic
Bearing	Carbon, synthetic resin-impregnated

## Installation dimensions

Pipe connection on the suction side $DN_s$	G 1
Pipe connection on the discharge side $DN_d$	G 1
Port-to-port length $L_0$	138 mm

## Ordering information

Brand	Wilo
Product description	Star-Z NOVA A
Net weight, approx. $m$	1 kg
Article number	<b>4132761</b> 

## Mechanical accessories

### Pipe installation

#### Screwed connections/adapters

Screwed connection R ½ / Ø 15 i x G 1, 96 Set	112047493	EUR 1,239.-
Screwed connection R ½ / Ø 15 i x G 1, 1 Set	4092743	EUR 17.-

## Electrical accessories

### Pump control

#### Timer switch SK 601N

Switchgear SK 601N	2120443	EUR 331.-
--------------------	---------	-----------

### Plug

#### Angle plug

Angle plug	4150229	EUR 25.-
------------	---------	----------

#### Connector

Wilo-Connector	4200870	EUR 31.-
----------------	---------	----------

### Maintenance/replacement

#### Rmot Star-Z NOVA

Service motor Star-Z NOVA	4132763	EUR 121.-
---------------------------	---------	-----------