

**Qty. Description**

1 ALPHA2 L 20-40 N 150



Note! Product picture may differ from actual product

Product No.: [98288708](#)

**GRUNDFOS ALPHA2 L N**

A circulator designed to circulate domestic hot water within the hot water distribution system

-With the port-to-port measurement of 150 mm and stainless steel construction it completely fulfills the application demand.

ALPHA2 L N is the latest member of the Grundfos family of high-quality circulators.

With the alpha ALPHA2 L-series, you can stop worrying about complicated pump settings.

**Compact design**

The innovative design makes ALPHA2 L the most compact Grundfos circulator available. With the electronics integrated in the pump housing, installation in very confined spaces is now possible.

**A-label**

The frequency converter, permanent-magnet technology, and compact stator place ALPHA2 L highest on the energy label scheme. ALPHA2 L will use up to 80 % less electrical energy than D-labelled circulators.

**ALPHA plug**

The much appreciated and very popular ALPHA plug is the only plug in the market that offers extremely simple cable connection.

**One-touch operation**

Intuitive one-touch operation enables simple setting.

**Liquid:**

Pumped liquid:	Water
Liquid temperature range:	2 .. 110 °C
Selected liquid temperature:	60 °C
Density:	983.2 kg/m <sup>3</sup>

**Technical:**

TF class:	110
Approvals:	VDE,CE,EAC

**Materials:**

Pump housing:	Stainless steel DIN W.-Nr. 14308 ASTM A48-25 B
Impeller:	Composite, PP

**Installation:**

Range of ambient temperature:	0 .. 40 °C
Maximum operating pressure:	10 bar



Company name:

Created by:

Phone:

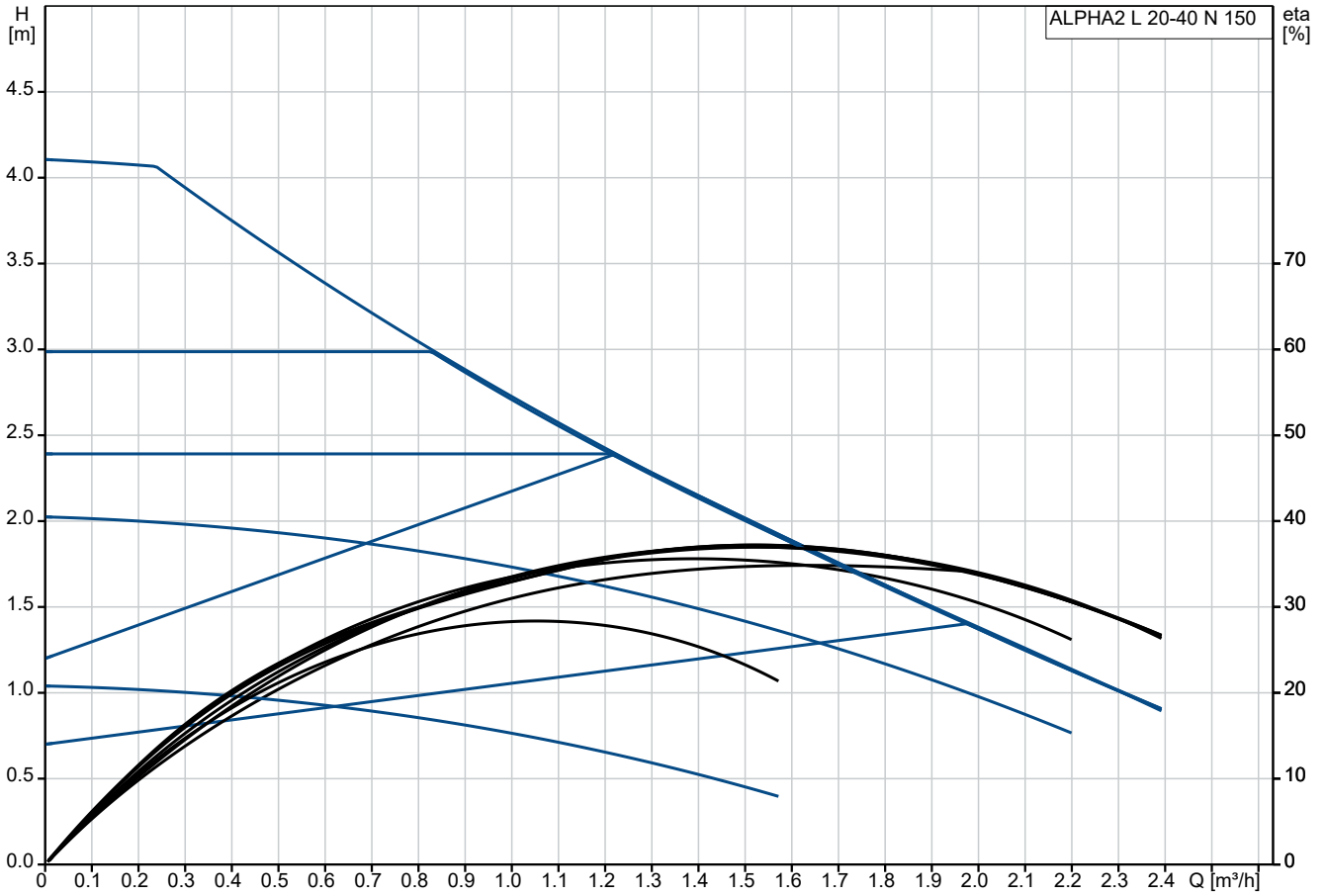
Date:

12/07/2024

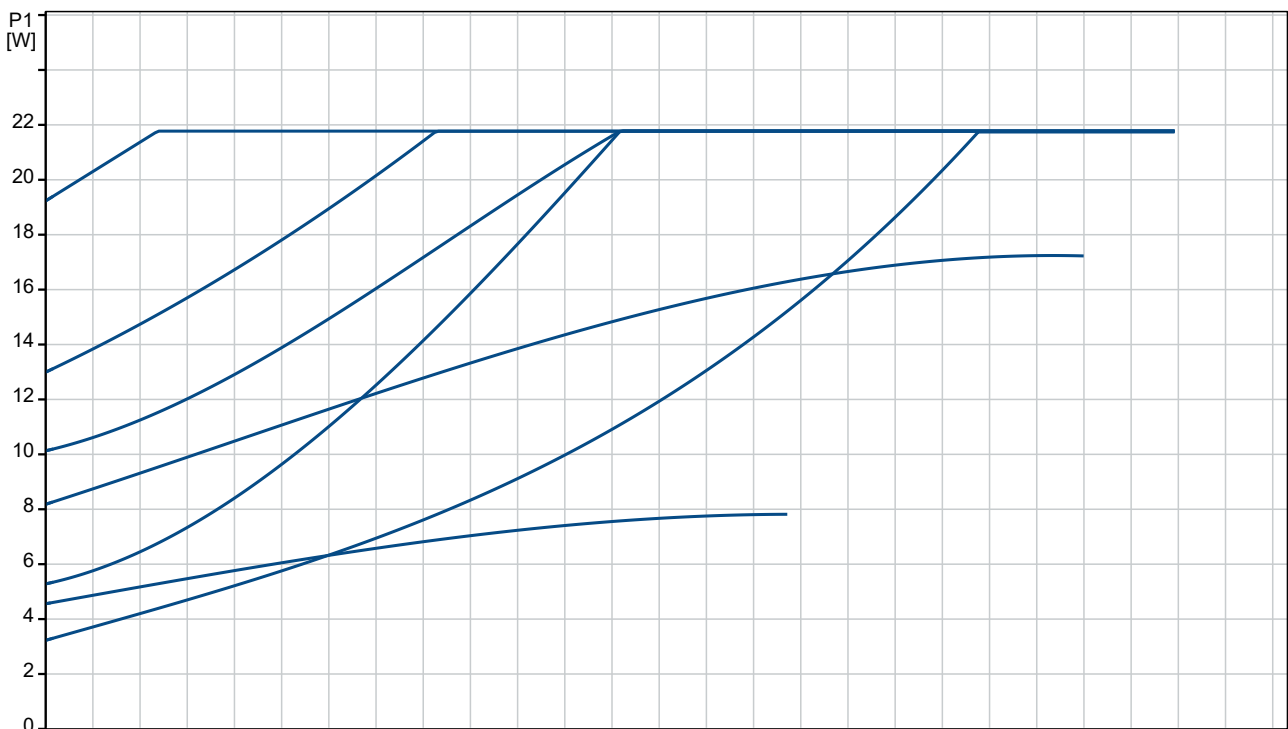
Qty.	Description
------	-------------

1	Pipe connection: G 1 1/4 Pressure rating: PN 10 Port-to-port length: 150 mm  Electrical data: Power input - P1: 5 .. 22 W Mains frequency: 50 Hz Rated voltage: 1 x 230 V Maximum current consumption: 0.05 .. 0.19 A Enclosure class (IEC 34-5): IP42 Insulation class (IEC 85): F
---	---

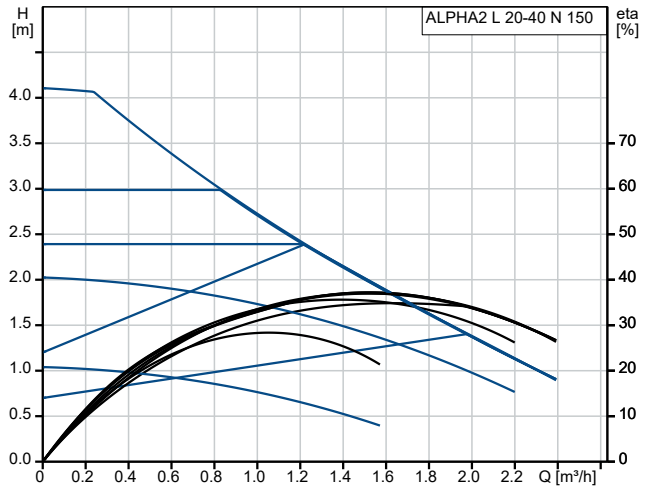
## 98288708 ALPHA2 L 20-40 N 150 50 Hz



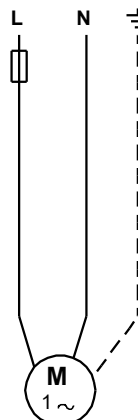
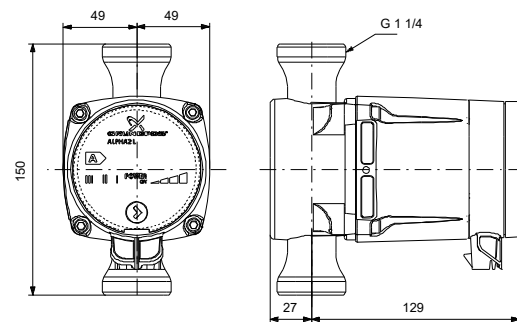
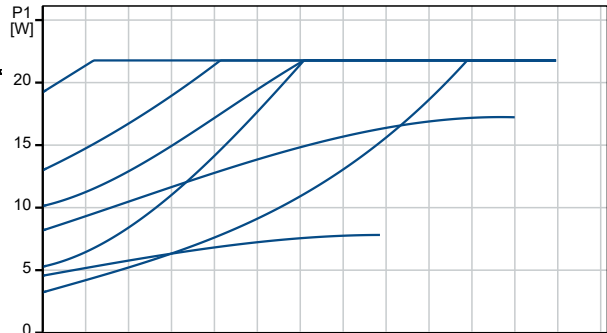
Pumped liquid = Water  
 Liquid temperature during operation = 60 °C  
 Density = 983.2 kg/m³



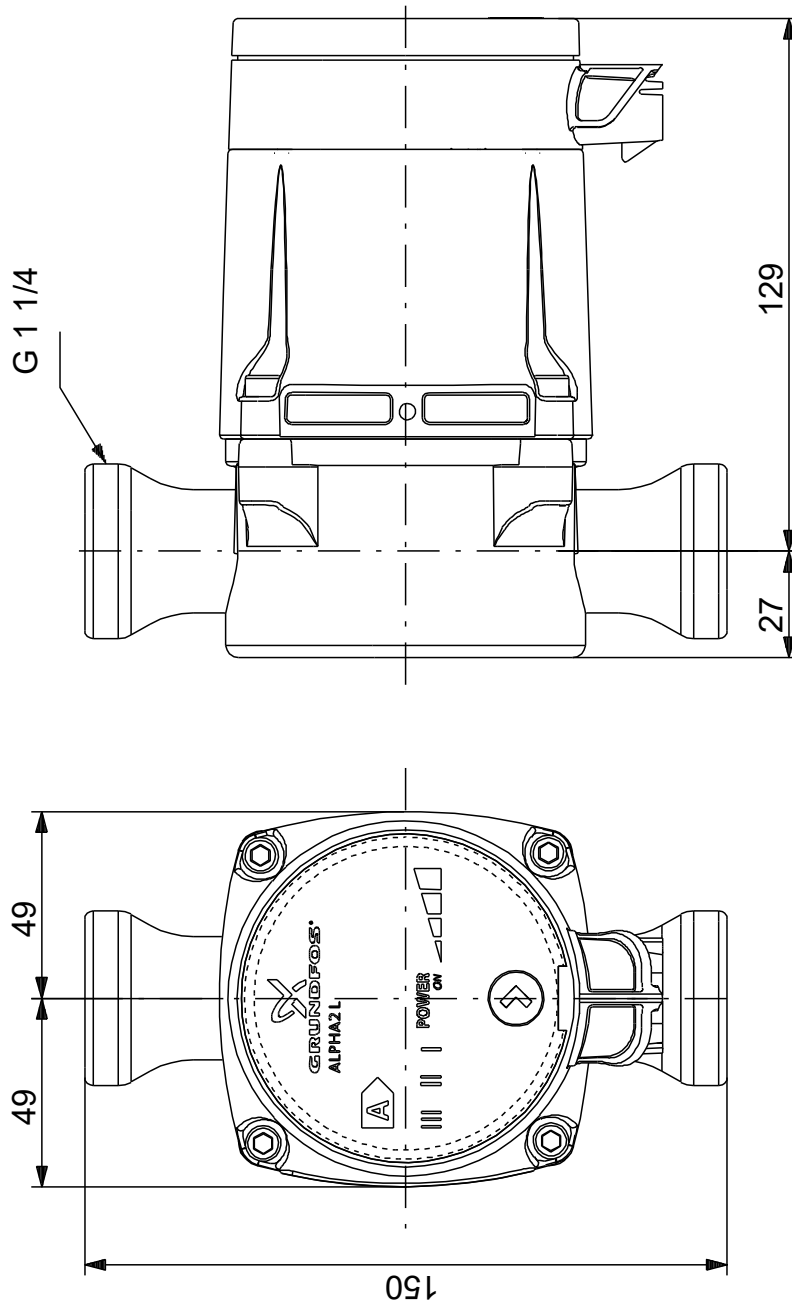
Description	Value
<b>General information:</b>	
Product name:	ALPHA2 L 20-40 N 150
Product No:	98288708
EAN number:	5711492515983
<b>Technical:</b>	
Head max:	40 dm
TF class:	110
Approvals:	VDE,CE,EAC
<b>Materials:</b>	
Pump housing:	Stainless steel
Pump housing:	DIN W.-Nr. 14308
Pump housing:	ASTM A48-25 B
Impeller:	Composite, PP
<b>Installation:</b>	
Range of ambient temperature:	0 .. 40 °C
Maximum operating pressure:	10 bar
Pipe connection:	G 1 1/4
Pressure rating:	PN 10
Port-to-port length:	150 mm
<b>Liquid:</b>	
Pumped liquid:	Water
Liquid temperature range:	2 .. 110 °C
Selected liquid temperature:	60 °C
Density:	983.2 kg/m <sup>3</sup>
<b>Electrical data:</b>	
Power input - P1:	5 .. 22 W
Mains frequency:	50 Hz
Rated voltage:	1 x 230 V
Maximum current consumption:	0.05 .. 0.19 A
Enclosure class (IEC 34-5):	IP42
Insulation class (IEC 85):	F
Built-in motor protection:	NONE
Thermal protec:	ELEC
<b>Controls:</b>	
Pos term box:	6H
<b>Others:</b>	
Energy (EEI):	0.23
Net weight:	2.4 kg
Gross weight:	2.6 kg



Pumped liquid = Water  
Liquid temperature during operation = 60 °C  
Density = 983.2 kg/m<sup>3</sup>

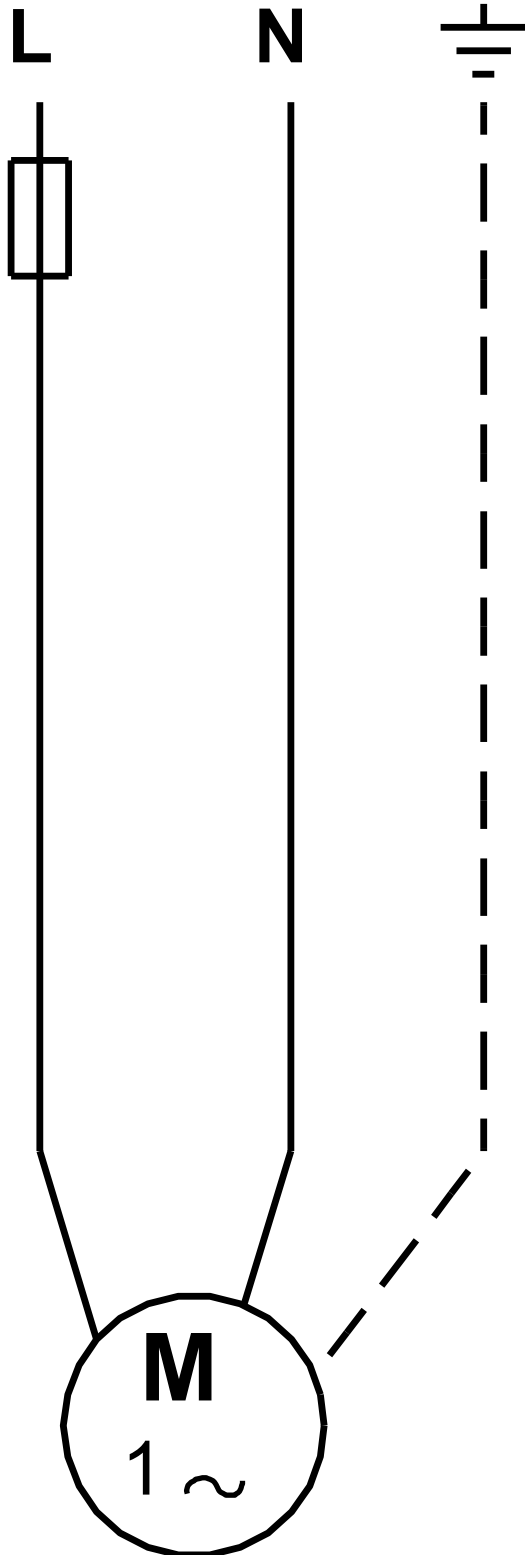


## 98288708 ALPHA2 L 20-40 N 150 50 Hz



Note! All units are in [mm] unless others are stated.  
Disclaimer: This simplified dimensional drawing does not show all details.

**98288708 ALPHA2 L 20-40 N 150 50 Hz**



Note! All units are in [mm] unless others are stated.