

Qty. Description

1 COMFORT 15-14 BX PM



Note! Product picture may differ from actual product

Product No.: [97916772](#)

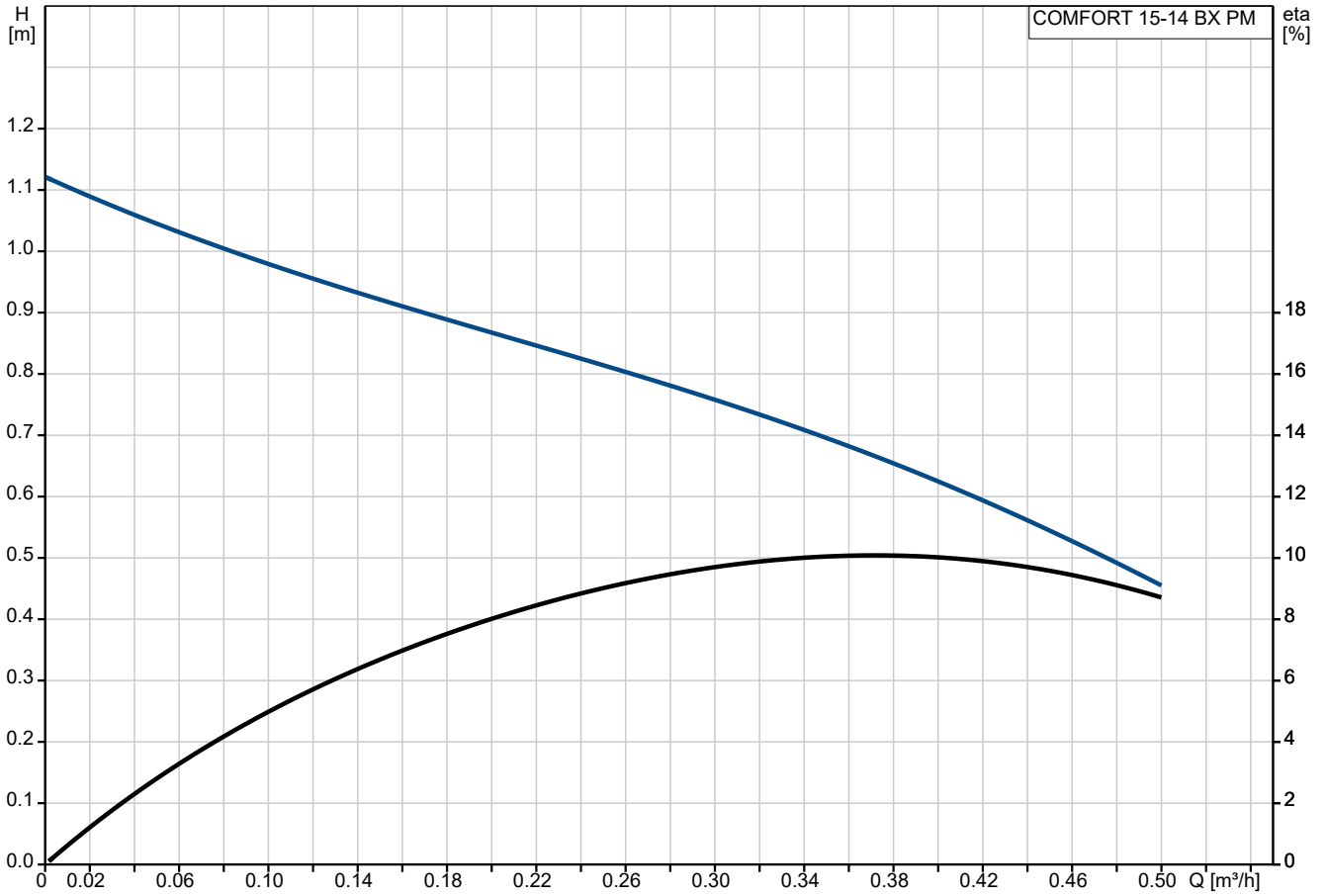
The Grundfos Comfort B PM and BX PM pumps are designed for recirculation of domestic hot water in single-family and two-family houses securing hot water instantly to all faucets.

The pumps have a corrosion-resistant pump housing suitable for drinking water and are powered by a single-phase, high-efficiency ECM with permanent-magnet rotor.

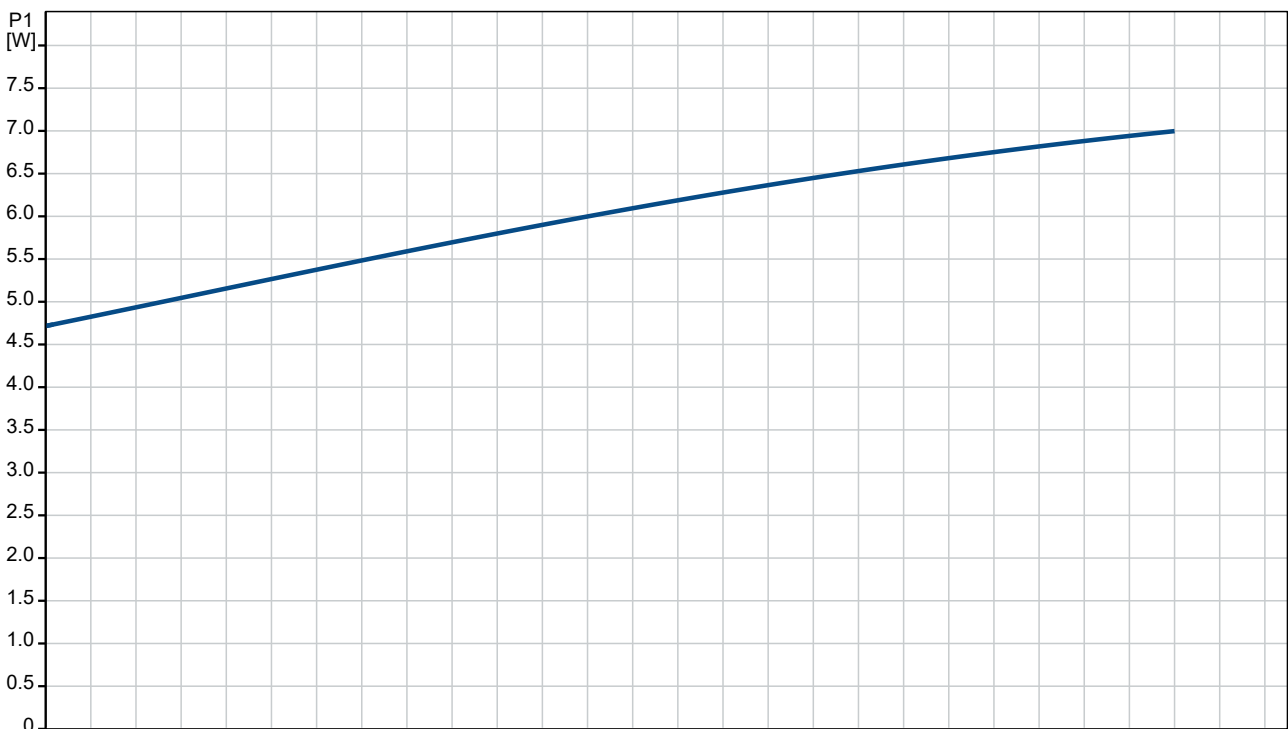
COMFORT B PM and BX PM meet homeowner requirements for continuous operation.

COMFORT BX PM has a built-in isolating valve and a non-return valve (fitting). This ensures that maintenance can be carried out without draining the system. The non-return valve also prevents reversed flow during operation.

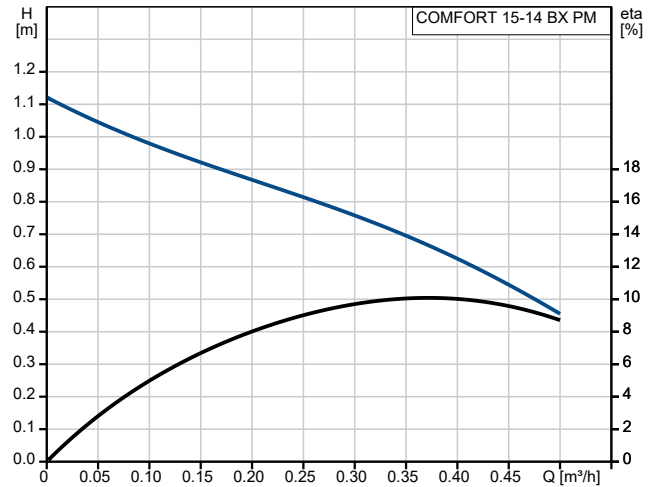
## 97916772 COMFORT 15-14 BX PM



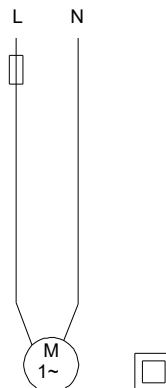
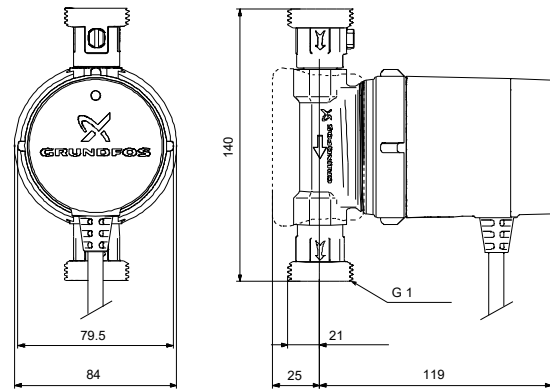
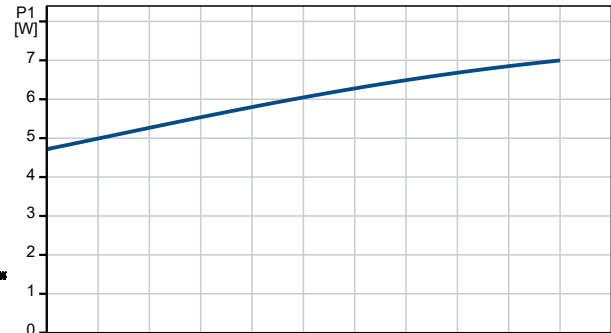
Pumped liquid = Water  
 Liquid temperature during operation = 60 °C  
 Density = 983.2 kg/m³



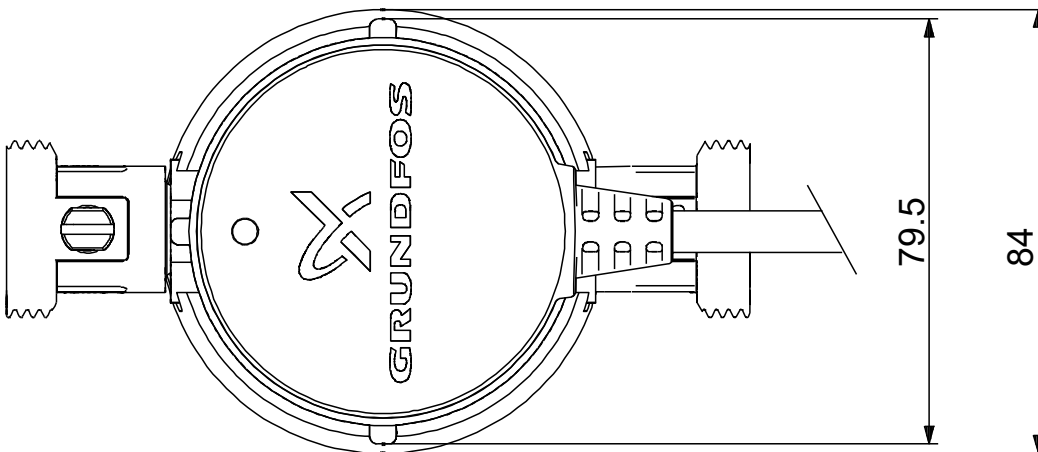
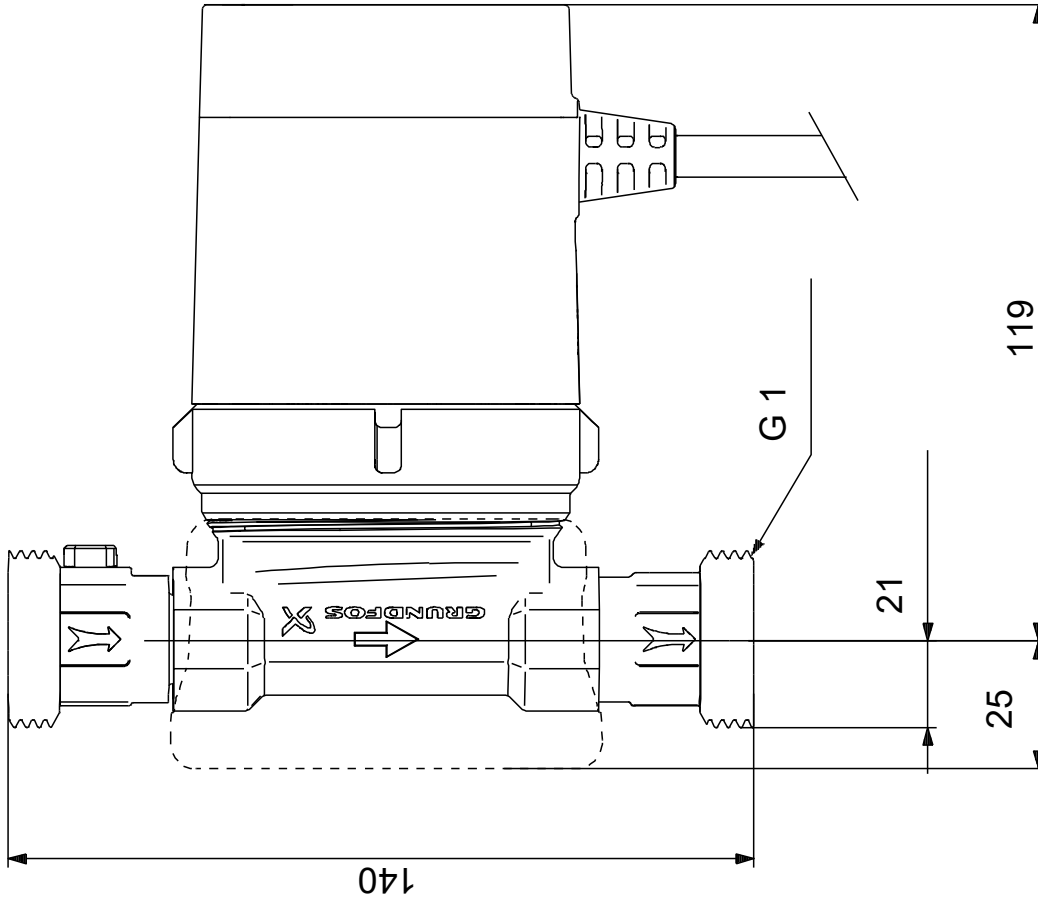
Description	Value
<b>General information:</b>	
Product name:	COMFORT 15-14 BX PM
Product No:	97916772
EAN number:	5710626363773
<b>Technical:</b>	
Speed no:	1
Rated flow:	0.33 m <sup>3</sup> /h
Rated head:	0.78 m
Maximum head:	14 dm
TF class:	95
Approvals:	CE,VDE,EAC,WEEE
Y = pump with built-in isolating and non-return valves:	Y
<b>Materials:</b>	
Pump housing:	Brass
Pump housing:	CuZn39Pb3, MS58
Impeller:	Composite
Impeller:	PPO-GF20/Stainless steel
<b>Installation:</b>	
Minimum ambient temperature:	0 °C
Maximum operating pressure:	10 bar
Type of connection:	G
Size of connection:	1 inch
Pressure rating for connection:	PN 10
Port-to-port length:	140 mm
<b>Liquid:</b>	
Pumped liquid:	Water
Liquid temperature range:	2 .. 95 °C
Selected liquid temperature:	60 °C
Density:	983.2 kg/m <sup>3</sup>
<b>Electrical data:</b>	
Max. power input:	7 W
Mains frequency:	50 / 60 Hz
Rated voltage:	1 x 230 V
Current in speed 3:	0.07 A
Capacitor size - run:	0.6 µF
Enclosure class (IEC 34-5):	IP44
Insulation class (IEC 85):	F
Built-in motor protection:	ELECT.
Thermal protec:	IMP.
<b>Controls:</b>	
Operation mode include:	None
<b>Others:</b>	
Net weight:	1.14 kg
Gross weight:	1.24 kg
Shipping volume:	0.003 m <sup>3</sup>
Danish VVS No.:	380635110
Swedish RSK No.:	5803086
Norwegian NRF no.:	9042116
Country of origin:	DE
Custom tariff no.:	84137030



Pumped liquid = Water  
 Liquid temperature during operation = 60 °C  
 Density = 983.2 kg/m<sup>3</sup>



## 97916772 COMFORT 15-14 BX PM



Note! All units are in [mm] unless others are stated.  
Disclaimer: This simplified dimensional drawing does not show all details.

**97916772 COMFORT 15-14 BX PM**



Note! All units are in [mm] unless others are stated.