

Qty. Description

1 COMFORT 15-14 BXA PM



Note! Product picture may differ from actual product

Product No.: [97916749](#)

The Grundfos Comfort BA PM and BXA PM pumps are designed for recirculation of domestic hot water in single-family and two-family houses securing hot water instantly to all faucets.

The pumps have a corrosion-resistant pump housing suitable for drinking water and are powered by a single-phase, high-efficiency ECM with permanent-magnet rotor.

The AUTOADAPT function incorporates an event log that learns the scheme of demand for hot water in the domestic hot-water system.

Via the event log, the pump predicts when to start circulating hot water ensuring hot water is instantly available at all use points.

Should the consumption pattern change, for example during holidays, the pump will recognise the standstill after 24 hours and automatically adapts to holiday mode.

When returning from holiday, the pump will automatically resume the same consumption pattern as before the holiday.

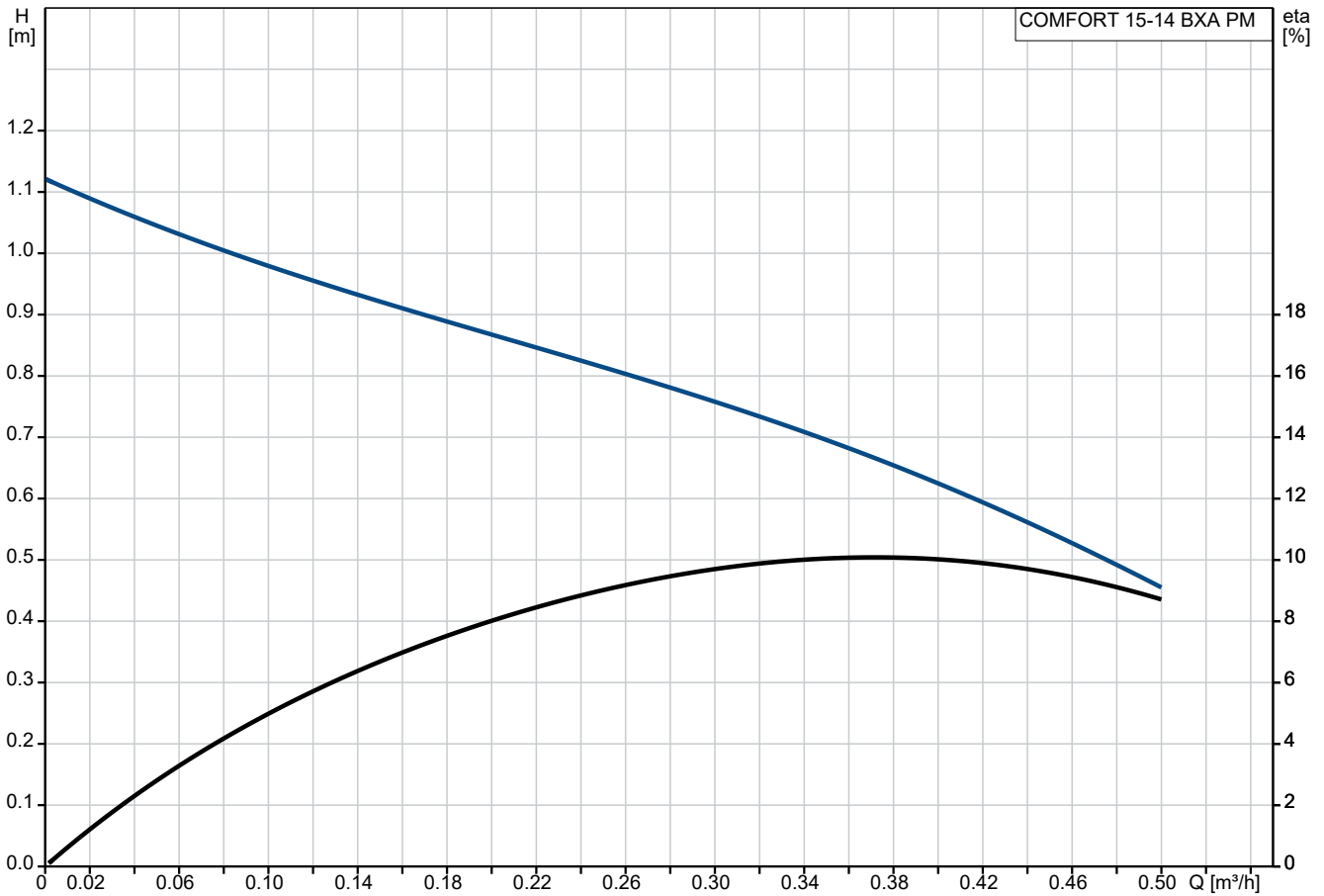
The unique AUTOADAPT feature is saving up to 48 % heat energy and 97 % motor energy compared with a standard pump in continuous operation.

Additionally, the pump can be set to temperature control mode and continuous operation 100 % for commissioning of the pump or 24 hours instant hot water.

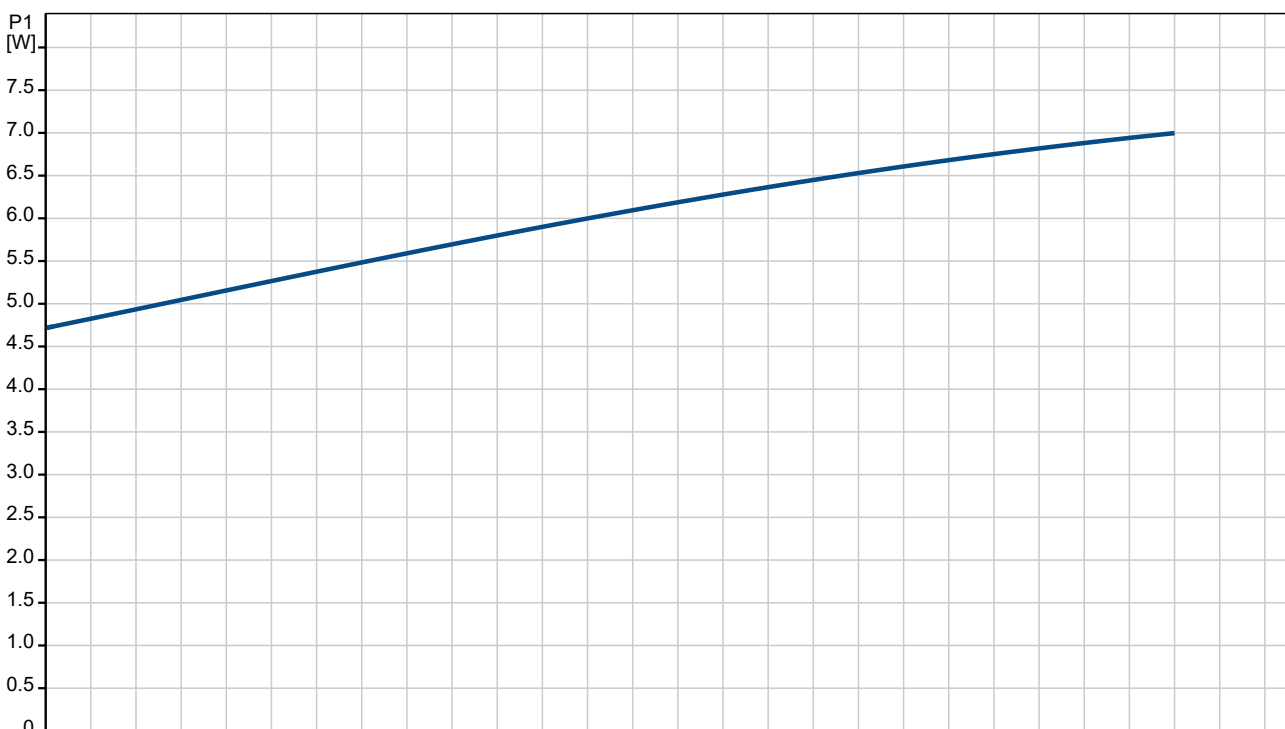
The pumps are equipped with a flushing and disinfection function which automatically circulates water to protect against bacterial growth in the pipes.

COMFORT BXA PM has a built-in isolating valve and a non-return valve (fitting). This ensures that maintenance can be carried out without draining the system. The non-return valve also prevents reversed flow during operation.

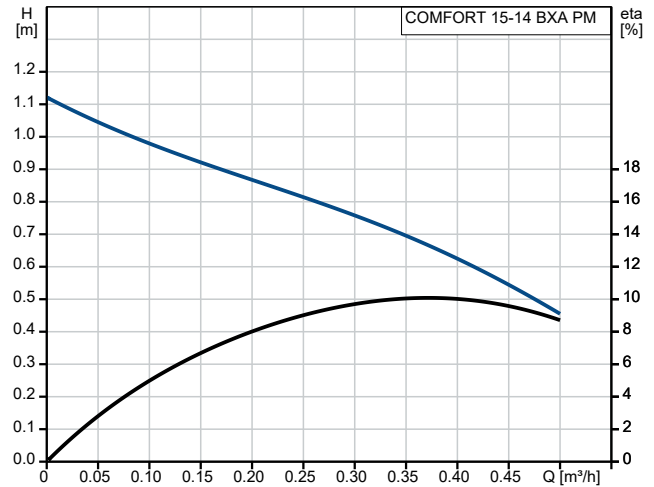
97916749 COMFORT 15-14 BXA PM



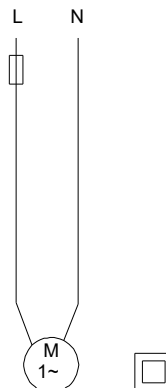
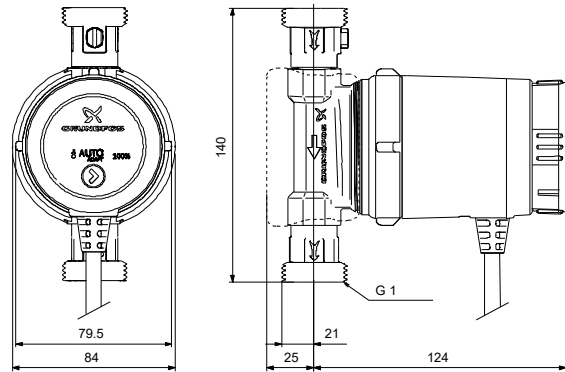
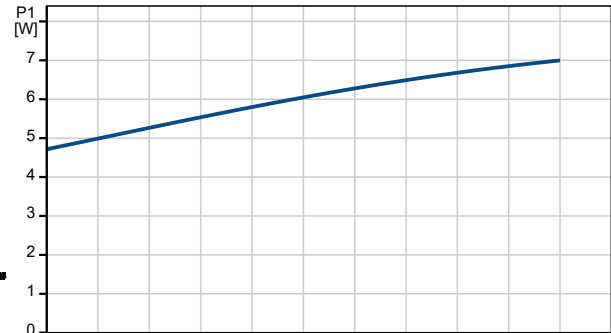
Pumped liquid = Water
 Liquid temperature during operation = 60 °C
 Density = 983.2 kg/m³



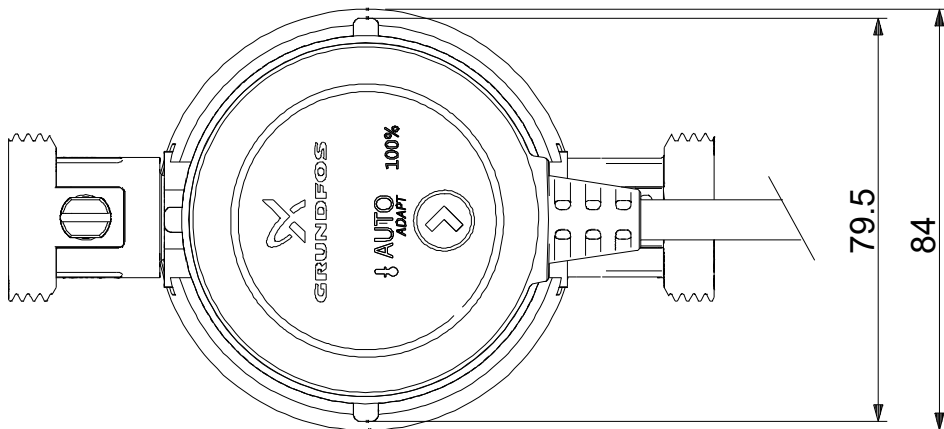
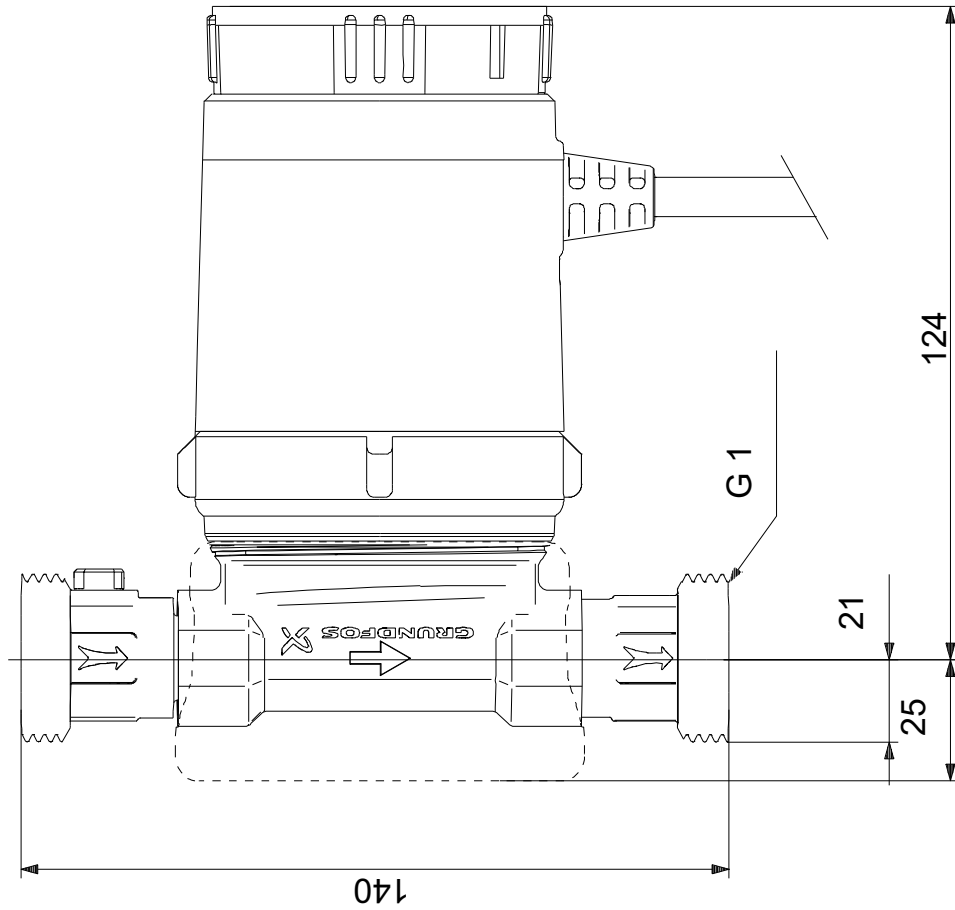
| Description | Value |
|---|--------------------------|
| General information: | |
| Product name: | COMFORT 15-14 BXA PM |
| Product No: | 97916749 |
| EAN number: | 5710626363742 |
| Technical: | |
| Speed no: | 1 |
| Rated flow: | 0.33 m ³ /h |
| Rated head: | 0.78 m |
| Maximum head: | 14 dm |
| TF class: | 95 |
| Approvals: | CE, VDE, EAC, WEEE |
| Y = pump with built-in isolating and non-return valves: | Y |
| Materials: | |
| Pump housing: | Brass |
| Pump housing: | CuZn39Pb3, MS58 |
| Impeller: | Composite |
| Impeller: | PPO-GF20/Stainless steel |
| Installation: | |
| Minimum ambient temperature: | 0 °C |
| Maximum operating pressure: | 10 bar |
| Type of connection: | G |
| Size of connection: | 1 inch |
| Pressure rating for connection: | PN 10 |
| Port-to-port length: | 140 mm |
| Liquid: | |
| Pumped liquid: | Water |
| Liquid temperature range: | 2 .. 95 °C |
| Selected liquid temperature: | 60 °C |
| Density: | 983.2 kg/m ³ |
| Electrical data: | |
| Max. power input: | 7 W |
| Mains frequency: | 50 / 60 Hz |
| Rated voltage: | 1 x 230 V |
| Current in speed 3: | 0.07 A |
| Capacitor size - run: | 0.6 µF |
| Enclosure class (IEC 34-5): | IP44 |
| Insulation class (IEC 85): | F |
| Built-in motor protection: | ELECT. |
| Thermal protec: | IMP. |
| Controls: | |
| Operation mode include: | Temperature |
| Others: | |
| Net weight: | 1.18 kg |
| Gross weight: | 1.28 kg |
| Shipping volume: | 0.003 m ³ |
| Danish VVS No.: | 380635120 |
| Swedish RSK No.: | 5803087 |
| Norwegian NRF no.: | 9042117 |
| Country of origin: | DE |
| Custom tariff no.: | 84137030 |



Pumped liquid = Water
 Liquid temperature during operation = 60 °C
 Density = 983.2 kg/m³



97916749 COMFORT 15-14 BXA PM



Note! All units are in [mm] unless others are stated.
Disclaimer: This simplified dimensional drawing does not show all details.

97916749 COMFORT 15-14 BXA PM



Note! All units are in [mm] unless others are stated.