



Data sheet

Hydraulic data

| | |
|------------------------------------|-----------------------|
| Maximum operating pressure P_N | 10 bar |
| Head max H_{max} | 10.9 m |
| Flow max Q_{max} | 9.5 m ³ /h |
| Minimum suction head at 50 °C m | 3 m |
| Minimum suction head at 95 °C m | 10 m |
| Minimum suction head at 110 °C | 16 m |
| Min. fluid temperature T_{min} | -20 °C |
| Max. fluid temperature T_{max} | 110 °C |
| Min. ambient temperature T_{min} | -20 °C |
| Max. ambient temperature T_{max} | 40 °C |

Motor data

| | |
|-------------------------------|--|
| Energy efficiency index (EEI) | ≤0.20 |
| Mains connection | 1~230 V ±10%, 50/60 Hz |
| Min current I_{min} | 0.1 A |
| Max current I_{max} | 1.5 A |
| Rated power P_2 | 145 W |
| Min. speed n_{min} | 1000 1/min |
| Max. speed n_{max} | 4450 1/min |
| Power consumption $P_{1 min}$ | 5 W |
| Power consumption $P_{1 max}$ | 190 W |
| Emitted interference | EN 61800-3;2004+A1;2012 /residential area (C1) |
| Interference resistance | EN 61800-3;2004+A1;2012 /industrial environment (C2) |
| Threaded cable connection | 2 x M20x1.5 |
| Insulation class | F |
| Protection class | IPX4D |

Materials

| | |
|--------------|-----------------|
| Pump housing | Grey cast iron |
| Impeller | PPE/PS-GF30 |
| Shaft | Stainless steel |
| Bearing | Carbon-graphite |

Installation dimensions

| | |
|--|--------|
| Pipe connection on the discharge side <i>DNd</i> | G 1½ |
| Pipe connection on the suction side <i>DNs</i> | G 1½ |
| Port-to-port length <i>L0</i> | 180 mm |

Equipment/function

Function

| | |
|----------------------|--|
| Control mode | Δp -v for variable differential pressure |
| | Δp -c for constant differential pressure |
| | Constant speed (3 speed stages) |
| Multi pump operation | Main/Standby (with Connect Module Yonos MAXO) |
| Display | Setpoint |
| | Fault signals (error codes) |

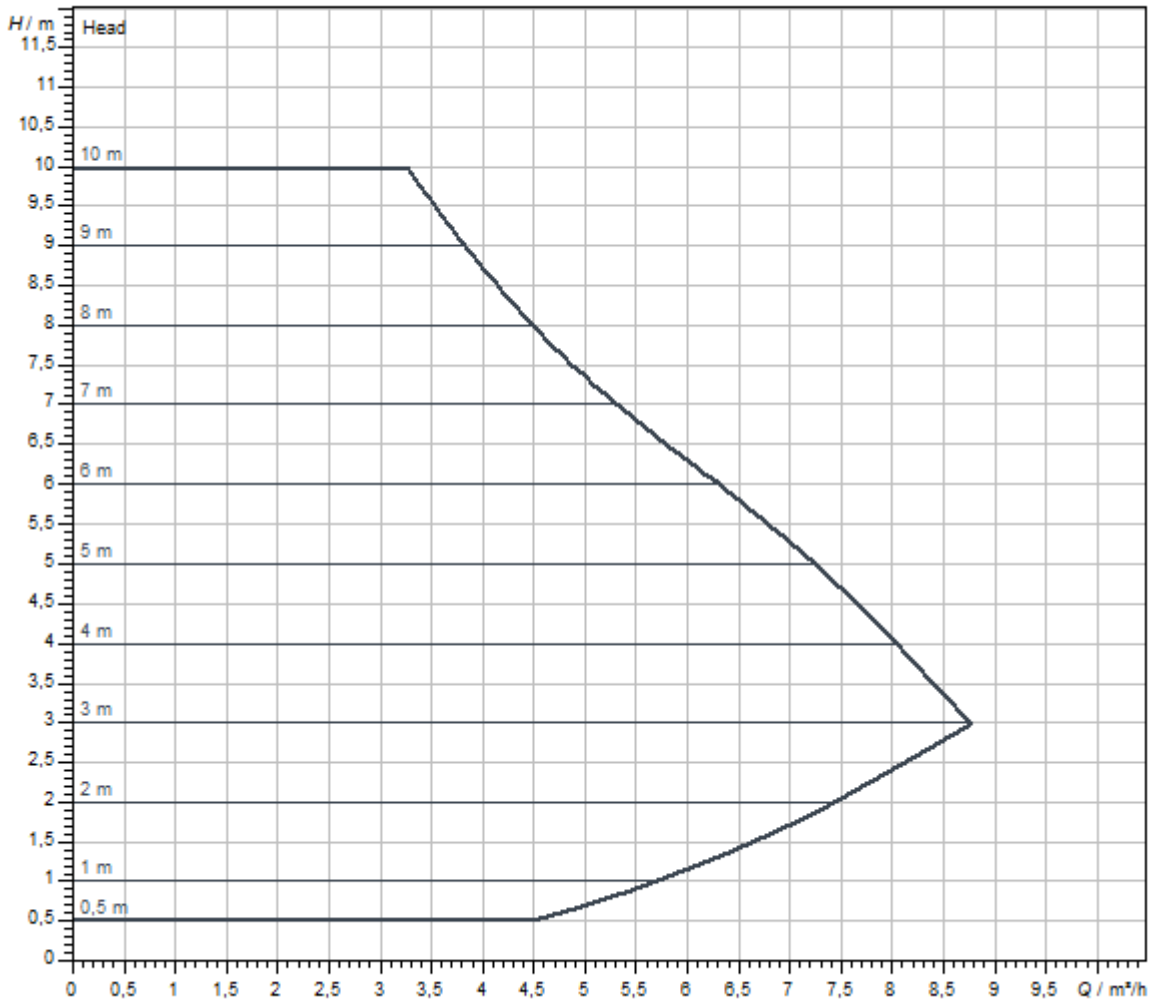
Equipment

| | |
|------------------------------|---|
| Approvals and labels | CE |
| | VDE |
| | EAC |
| Display | LED segment display |
| Display information | Basic Version: LED display (small) for showing the set head or speed stage. |
| Pump control | Electronic-controlled pump |
| Quick electrical connection | Wilo plug |
| Thermal insulation shell | As accessory |
| Blocking-current proof motor | yes |
| Particle filter | yes |

Connectivity

| | |
|----------------|---|
| Digital input | Ext. OFF (via accessories Wilo-Connect module Yonos MAXO) |
| Digital output | SSM |

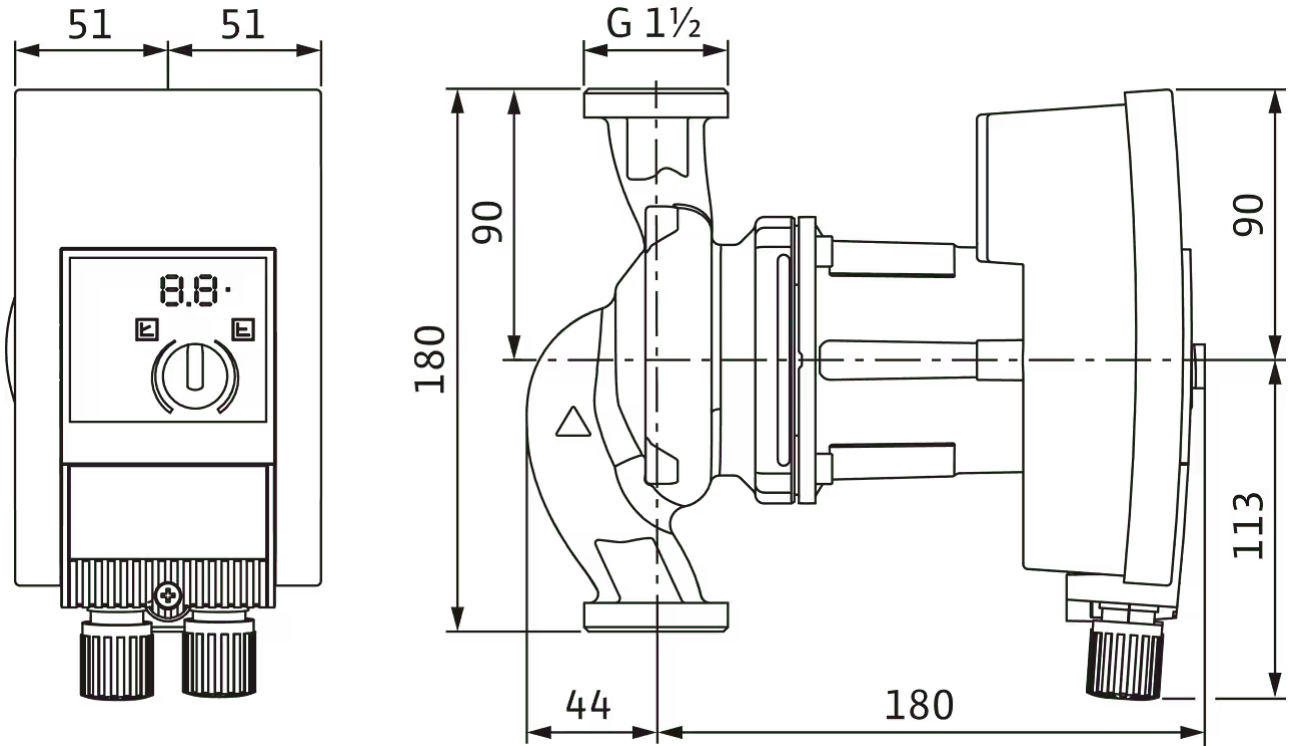
Pump curves



| | |
|---|-------------|
| Fluid media | Water 100 % |
| Fluid temperature <i>T</i> | 20,00 °C |
| speed at duty point <i>n hydr. @ OP</i> | 3.796 1/min |

Dimensions and dimensions drawings

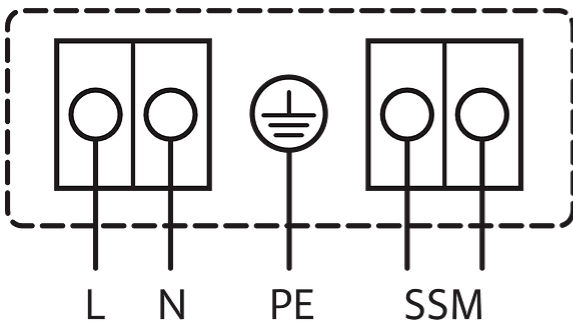
Yonos MAXO 25/0,5-10



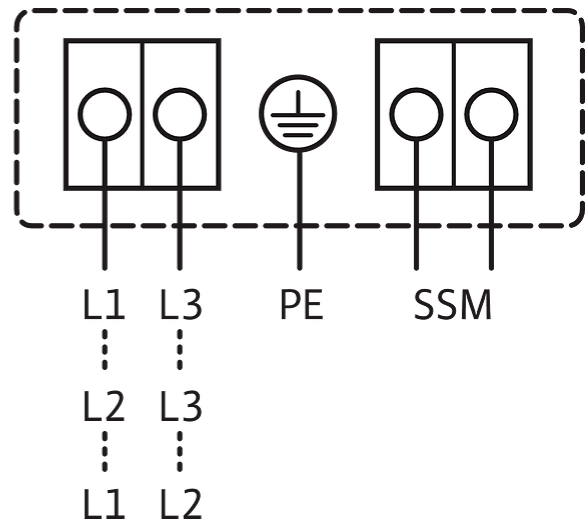
Wiring diagram

1~230V, 50/60 Hz

1~ 230 V, 50/60 Hz



3~230 V, 50/60 Hz




Collective fault signal
SSM: (NC contact in accordance with VDI 3814, load capacity 1 A, 250 V ~)

Standard: 1~230 V, 50/60 Hz

Option: 3~230 V, 50/60 Hz

Ordering information

Product data

| | |
|----------------------------|--|
| Brand | Wilo |
| Product description | Yonos MAXO 25/0,5-10 PN 10 |
| Article number | 2120640  |
| EAN number | 4048482235875 |
| Colour | green/black |
| Minimum order quantity | 1 |
| Date of sales availability | 2013-09-01 |

Packaging

| | |
|--------------------|---------------------|
| Packaging type | Cardboard box |
| Packaging property | Transport packaging |
| Pieces per pallet | 32 |
| Number per layer | 16 |

Dimension, weight

| | |
|--------------------------------|--------|
| Length with packaging | 300 mm |
| Length <i>L</i> | 203 mm |
| Height with packaging | 394 mm |
| Height <i>H</i> | 224 mm |
| Width with packaging | 200 mm |
| Width <i>W</i> | 105 mm |
| Gross weight, approx. <i>m</i> | 5.8 kg |
| Net weight, approx. <i>m</i> | 4.5 kg |

Tender text

High efficiency pump Wilo-Yonos MAXO electronically controlled,

Glandless circulator, synchronous motor according to ECM technology and integrated power control for continuous differential pressure control. Can be used for all heating, ventilation and air-conditioning applications.

Standard-equipped with:

- > Preselectable control modes for optimum load adjustment: Δp -c (differential pressure constant), Δp -v (differential pressure variable)
- > 3 speed stages (n = constant)

- > LED for setting the setpoint and displaying error messages
- > Electrical connection with the Wilo plug
- > Fault lamp and contact for collective fault signal

For flange-end pumps - flange versions:

- > Standard version for pumps DN 32 to DN 65: PN 6/10 combination flange (PN 16 flange according to EN 1092-2) for PN 6 and PN 16 counter flanges
- > Standard version for DN 80/DN 100 pumps: PN 6 flange (designed for PN 16 according to EN 1092-2) for PN 6 counter flange

Operating Data

| | |
|-------------------------------------|--------|
| Min. fluid temperature T_{\min} | -20 °C |
| Max. fluid temperature T_{\max} | 110 °C |
| Min. ambient temperature T_{\min} | -20 °C |
| Max. ambient temperature T_{\max} | 40 °C |
| Maximum operating pressure PN | 10 bar |
| Minimum suction head at 50 °C m | 3 m |
| Minimum suction head at 95 °C m | 10 m |
| Minimum suction head at 110 °C | 16 m |

Motor data

| | |
|--------------------------------|--|
| Energy efficiency index (EEI) | ≤0.20 |
| Emitted interference | EN 61800-3;2004+A1;2012 /residential area (C1) |
| Interference resistance | EN 61800-3;2004+A1;2012 /industrial environment (C2) |
| Mains connection | 1-230 V, 50/60 Hz |
| Power consumption $P_{1 \max}$ | 190 W |
| Min. speed n_{\min} | 1000 1/min |
| Max. speed n_{\max} | 4450 1/min |
| Protection class motor | IPX4D |
| Threaded cable connection | 2 x M20x1.5 |

Materials

| | |
|--------------|-----------------|
| Pump housing | Grey cast iron |
| Impeller | PPE/PS-GF30 |
| Shaft | Stainless steel |
| Bearing | Carbon-graphite |

Installation dimensions

| | |
|---|--------|
| Pipe connection on the suction side DNs | G 1½ |
| Pipe connection on the discharge side DNd | G 1½ |
| Port-to-port length $L0$ | 180 mm |

Ordering information

| | |
|-------------------------|----------------------------|
| Brand | Wilo |
| Product description | Yonos MAXO 25/0,5-10 PN 10 |
| Net weight, approx. m | 4.5 kg |
| Article number | 2120640 |

Mechanical accessories

Pipe installation

Screwed connections/adapters

| | | |
|--|-----------|-----------|
| Screwed connection Rp 1 x G 1½, 72 Set | 112047298 | EUR 699.- |
| Screwed connection Rp 1 x G 1½, 1 Set | 4092741 | EUR 14.- |
| Adapter G 1½/G 2 | 4105914 | EUR 31.- |

Pipe installation, adapter fitting

Flanged rings RF

| | | |
|-------------------------|-----------|----------|
| Flanged ring RF 7, PN6 | 110628790 | EUR 32.- |
| Flanged ring RF 9, PN6 | 110679395 | EUR 66.- |
| Flanged ring RF 13, PN6 | 110679498 | EUR 73.- |
| Flanged ring RF 10, PN6 | 110851499 | EUR 56.- |

Threaded adapter R

| | | |
|---------------------------|-----------|----------|
| Threaded adapter R 2, GG | 110626790 | EUR 50.- |
| Threaded adapter R 6, GG | 110678493 | EUR 47.- |
| Threaded adapter R 1, GG | 110786891 | EUR 46.- |
| Threaded adapter R 7, GG | 110787094 | EUR 46.- |
| Threaded adapter R 24, GG | 110880596 | EUR 44.- |

Thermal insulation

Thermal insulation shell Yonos MAXO

| | | |
|--|---------|----------|
| Thermal insulation shell Yonos MAXO 25(30)/0,5-7(10) | 2123369 | EUR 17.- |
|--|---------|----------|

Electrical accessories

Pump control/accessories

Antenna GSM/GPRS

| | | |
|--|---------|-----------|
| D-network dual-band antenna with 3 m cable | 2533862 | EUR 100.- |
| D-network tri-band antenna 10 m cable | 2533863 | EUR 385.- |
| D-network tri-band antenna 15 m cable | 2533864 | EUR 511.- |
| SMA/FME adapter | 2545548 | EUR 47.- |

BMS base module

| | | |
|-----------------|---------|-----------|
| BMS base module | 2533800 | EUR 832.- |
|-----------------|---------|-----------|

Connection cable control modules/signalling modules

| | | |
|-------------------------------------|---------|-----------|
| Control modules connecting cable | 2533790 | EUR 211.- |
| Signalling modules connecting cable | 2533890 | EUR 211.- |

DDG impulse selector

| | | |
|----------------------|---------|-----------|
| DDG impulse selector | 2533770 | EUR 603.- |
|----------------------|---------|-----------|

Outdoor temperature sensor Pt 100

| | | |
|-----------------------------------|---------|-----------|
| Outdoor temperature sensor Pt 100 | 2533772 | EUR 135.- |
|-----------------------------------|---------|-----------|

Pump signalling module

| | | |
|----------------------------|---------|-----------|
| Signalling module pump 1-2 | 2533812 | EUR 459.- |
| Signalling module pump 3-6 | 2533836 | EUR 459.- |

SC-HVAC signal board

| | | |
|----------------------|---------|------------|
| SC-HVAC signal board | 2119646 | on request |
|----------------------|---------|------------|

Signal converter retrofit kit

| | | |
|-----------------------------------|---------|-----------|
| Signal converter 0-10 V / 0-20 mA | 2534992 | EUR 263.- |
|-----------------------------------|---------|-----------|

Temperature module

| | | |
|---|---------|-------------|
| Temperature module for systems with 4-6 pumps | 2533771 | EUR 1,182.- |
| Temperature module for systems with 1-3 pumps | 2534991 | EUR 1,461.- |

Pump control/Smart control system

SCe-HVAC system

| | | |
|----------------------------|---------|------------|
| SCe-HVAC system 1x10A-M-WM | 2542281 | on request |
| SCe-HVAC system 2x10A-M-WM | 2542282 | on request |

| | | |
|----------------------------|---------|------------|
| SCe-HVAC system 3x10A-M-WM | 2542283 | on request |
|----------------------------|---------|------------|

Pump control/interface module

Connect module Yonos MAXO

| | | |
|--------------------------------|---------|-----------|
| Wilo-Connect module Yonos MAXO | 2210108 | EUR 187,- |
|--------------------------------|---------|-----------|

Differential pressure detection

DDG (4-20mA)

| | | |
|---|---------|-----------|
| Wilo-DDG 10 Signal Trans.(4-20mA)2G VP. | 2136454 | EUR 363,- |
| Wilo-DDG 20 Signal Trans.(4-20mA)2G VP. | 2136456 | EUR 363,- |
| Wilo-DDG 40 Signal Trans.(4-20mA)2G VP. | 2136458 | EUR 363,- |
| Wilo-DDG 60 Signal Trans.(4-20mA)2G VP. | 2136460 | EUR 363,- |
| Wilo-DDG 100 Signal Trans.(4-20mA) | 2211740 | EUR 363,- |

DDG power supply unit

| | | |
|-----------------------|-----------|-----------|
| DDG power supply unit | 501865293 | EUR 382,- |
|-----------------------|-----------|-----------|

DDG transducer

| | | |
|----------------|-----------|-------------|
| DDG transducer | 501771990 | EUR 1,775,- |
|----------------|-----------|-------------|