



## Data sheet

### Hydraulic data

Maximum operating pressure $P_N$	10 bar
Head max $H_{max}$	10.9 m
Flow max $Q_{max}$	9.5 m <sup>3</sup> /h
Minimum suction head at 50 °C $m$	3 m
Minimum suction head at 95 °C $m$	10 m
Minimum suction head at 110 °C	16 m
Min. fluid temperature $T_{min}$	-20 °C
Max. fluid temperature $T_{max}$	110 °C
Min. ambient temperature $T_{min}$	-20 °C
Max. ambient temperature $T_{max}$	40 °C

### Motor data

Energy efficiency index (EEI)	≤0.20
Mains connection	1~230 V ±10%, 50/60 Hz
Min current $I_{min}$	0.1 A
Max current $I_{max}$	1.5 A
Rated power $P_2$	145 W
Min. speed $n_{min}$	1000 1/min
Max. speed $n_{max}$	4450 1/min
Power consumption $P_{1 min}$	5 W
Power consumption $P_{1 max}$	190 W
Emitted interference	EN 61800-3;2004+A1;2012 /residential area (C1)
Interference resistance	EN 61800-3;2004+A1;2012 /industrial environment (C2)
Threaded cable connection	2 x M20x1.5
Insulation class	F
Protection class	IPX4D

### Materials

Pump housing	Grey cast iron
Impeller	PPE/PS-GF30
Shaft	Stainless steel
Bearing	Carbon-graphite

### Installation dimensions

Pipe connection on the discharge side <i>DNd</i>	G 2
Pipe connection on the suction side <i>DNs</i>	G 2
Port-to-port length <i>L0</i>	180 mm

### Equipment/function

#### Function

Control mode	$\Delta p$ -v for variable differential pressure
	$\Delta p$ -c for constant differential pressure
	Constant speed (3 speed stages)
Multi pump operation	Main/Standby (with Connect Module Yonos MAXO)
Display	Setpoint
	Fault signals (error codes)

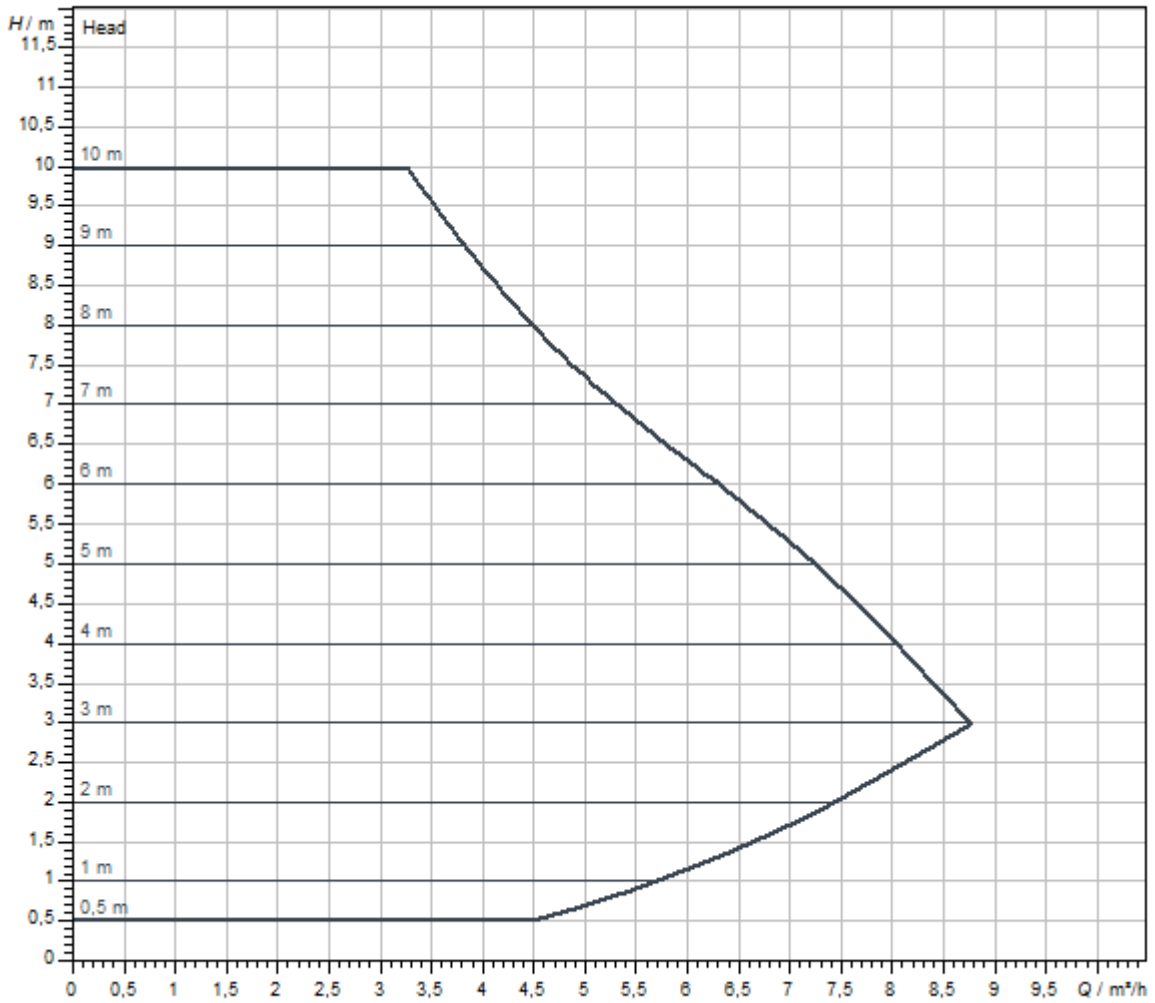
#### Equipment

Approvals and labels	CE
	VDE
	EAC
Display	LED segment display
Display information	Basic Version: LED display (small) for showing the set head or speed stage.
Pump control	Electronic-controlled pump
Quick electrical connection	Wilo plug
Thermal insulation shell	As accessory
Blocking-current proof motor	yes
Particle filter	yes

#### Connectivity

Digital input	Ext. OFF (via accessories Wilo-Connect module Yonos MAXO)
Digital output	SSM

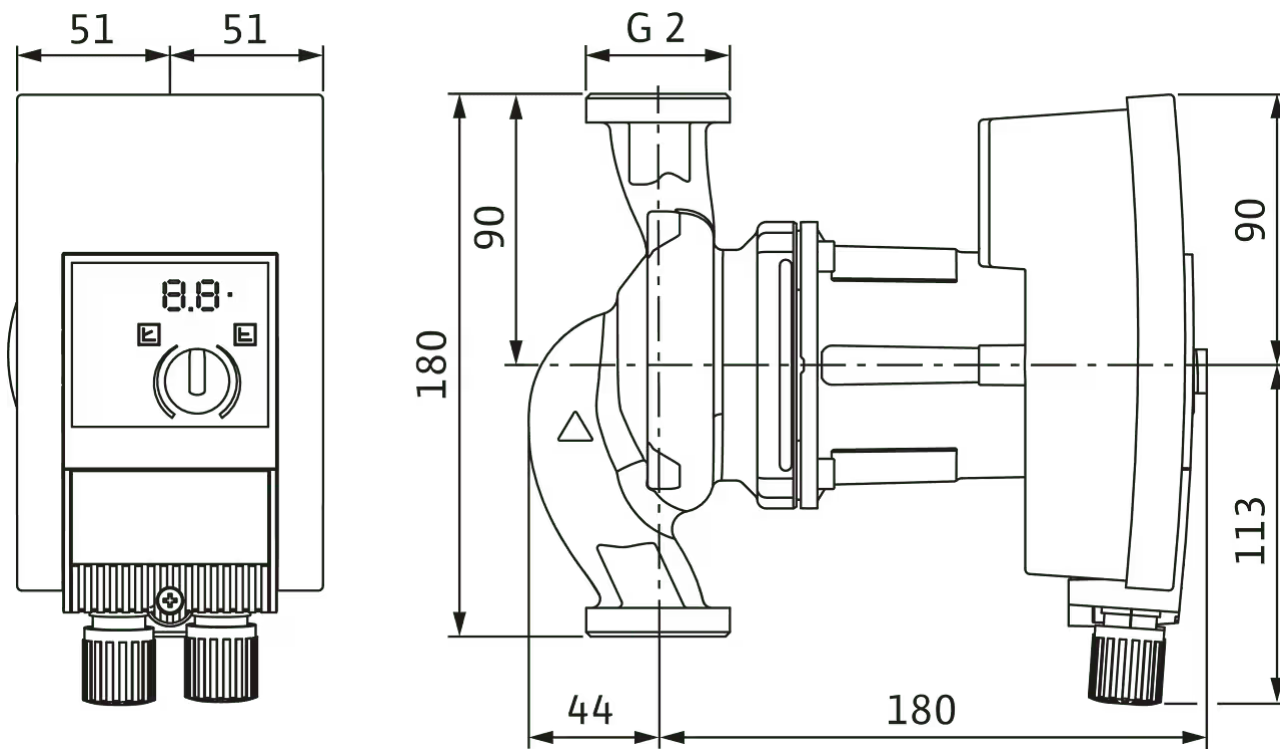
Pump curves



Fluid media	Water 100 %
Fluid temperature <i>T</i>	20,00 °C
speed at duty point <i>n hydr. @ OP</i>	3.796 1/min

Dimensions and dimensions drawings

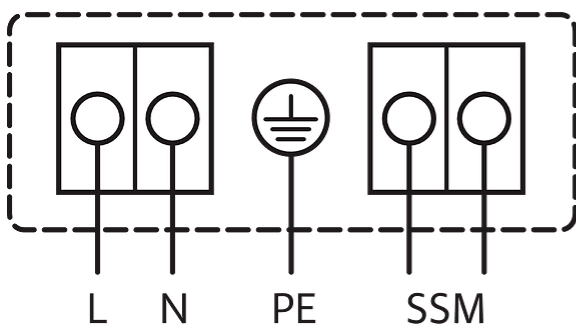
Yonos MAXO



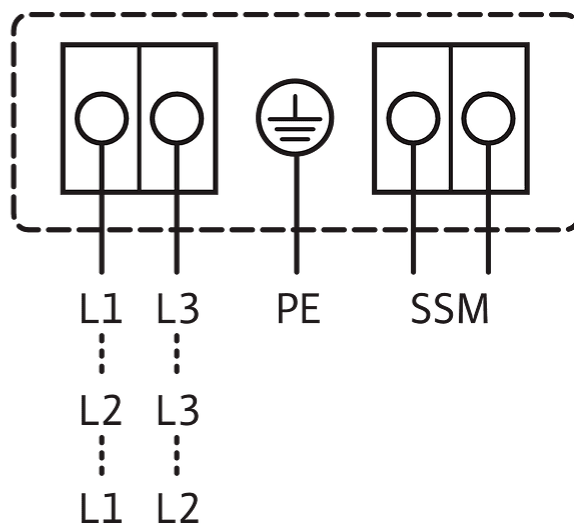
Wiring diagram

1~230V, 50/60 Hz

1~ 230 V, 50/60 Hz



3~230 V, 50/60 Hz




Collective fault signal  
SSM: (NC contact in accordance with VDI 3814, load capacity 1 A, 250 V ~)

Standard: 1~230 V, 50/60 Hz

Option: 3~230 V, 50/60 Hz

## Ordering information

### Product data

Brand	Wilo
Product description	Yonos MAXO 30/0,5-10 PN 10
Article number	<b>2120643</b> 
EAN number	4048482235905
Colour	green/black
Minimum order quantity	1
Date of sales availability	2013-09-01

### Packaging

Packaging type	Cardboard box
Packaging property	Transport packaging
Pieces per pallet	32
Number per layer	16

### Dimension, weight

Length with packaging	300 mm
Length <i>L</i>	180 mm
Height with packaging	394 mm
Height <i>H</i>	224 mm
Width with packaging	200 mm
Width <i>W</i>	102 mm
Gross weight, approx. <i>m</i>	5.9 kg
Net weight, approx. <i>m</i>	4.6 kg

### Tender text

High efficiency pump Wilo-Yonos MAXO electronically controlled,

Glandless circulator, synchronous motor according to ECM technology and integrated power control for continuous differential pressure control. Can be used for all heating, ventilation and air-conditioning applications.

Standard-equipped with:

- > Preselectable control modes for optimum load adjustment:  $\Delta p$ -c (differential pressure constant),  $\Delta p$ -v (differential pressure variable)
- > 3 speed stages (n = constant)

- > LED for setting the setpoint and displaying error messages
- > Electrical connection with the Wilo plug
- > Fault lamp and contact for collective fault signal

For flange-end pumps - flange versions:

- > Standard version for pumps DN 32 to DN 65: PN 6/10 combination flange (PN 16 flange according to EN 1092-2) for PN 6 and PN 16 counter flanges
- > Standard version for DN 80/DN 100 pumps: PN 6 flange (designed for PN 16 according to EN 1092-2) for PN 6 counter flange

### Operating Data

Min. fluid temperature $T_{min}$	-20 °C
Max. fluid temperature $T_{max}$	110 °C
Min. ambient temperature $T_{min}$	-20 °C
Max. ambient temperature $T_{max}$	40 °C
Maximum operating pressure $PN$	10 bar
Minimum suction head at 50 °C $m$	3 m
Minimum suction head at 95 °C $m$	10 m
Minimum suction head at 110 °C	16 m

### Motor data

Energy efficiency index (EEI)	≤0.20
Emitted interference	EN 61800-3;2004+A1;2012 /residential area (C1)
Interference resistance	EN 61800-3;2004+A1;2012 /industrial environment (C2)
Mains connection	1-230 V, 50/60 Hz
Power consumption $P_{1\ max}$	190 W
Min. speed $n_{min}$	1000 1/min
Max. speed $n_{max}$	4450 1/min
Protection class motor	IPX4D
Threaded cable connection	2 x M20x1.5

### Materials

Pump housing	Grey cast iron
Impeller	PPE/PS-GF30
Shaft	Stainless steel
Bearing	Carbon-graphite

### Installation dimensions

Pipe connection on the suction side $DNs$	G 2
Pipe connection on the discharge side $DNd$	G 2
Port-to-port length $L0$	180 mm

### Ordering information

Brand	Wilo
Product description	Yonos MAXO 30/0,5-10 PN 10
Net weight, approx. $m$	4.6 kg
Article number	<b>2120643</b>

## Mechanical accessories

### Pipe installation

#### Screwed connections/adapters

Screwed connection Rp 1¼ x G 2, 48 Set	112047390	EUR 699.-
Screwed connection Rp 1¼ x G 2, 1 Set	4092742	EUR 18.-

### Pipe installation, adapter fitting

#### Flanged rings RF

Flanged ring RF 1, PN6	110627990	EUR 56.-
Flanged ring RF 0, PN6	110679796	EUR 56.-
Flanged ring RF 11, PN6	110679899	EUR 69.-
Flanged ring RF 2, PN6	110680298	EUR 65.-
Flanged ring RF 3, PN6	110680596	EUR 66.-
Flanged ring RF 4, PN6	110680699	EUR 86.-
Flanged ring RF 4, PN10/16	110680791	EUR 91.-
Flanged ring RF 8, PN6	110680997	EUR 56.-
Flanged ring RF 5, PN6	110787197	EUR 74.-
Flanged ring RF 6, PN6	110787290	EUR 86.-
Flanged ring RF 5, PN10/16	110791299	EUR 105.-
Flanged ring RF 6, PN10/16	110791391	EUR 109.-
Flanged ring RF 12, PN6	110851797	EUR 68.-

#### Threaded adapter R

Threaded adapter R 8, GG	110627199	EUR 43.-
Threaded adapter R 9, GG	110627291	EUR 46.-
Threaded adapter R 10, GG	110627394	EUR 46.-
Threaded adapter R 14, GG	110627497	EUR 50.-
Threaded adapter R 11, GG	110627590	EUR 58.-

### Thermal insulation

#### Thermal insulation shell Yonos MAXO

Thermal insulation shell Yonos MAXO 25(30)/0,5-7(10)	2123369	EUR 17.-
--	---------	----------

## Electrical accessories

### Pump control/accessories

#### Antenna GSM/GPRS

D-network dual-band antenna with 3 m cable	2533862	EUR 100.-
D-network tri-band antenna 10 m cable	2533863	EUR 385.-
D-network tri-band antenna 15 m cable	2533864	EUR 511.-
SMA/FME adapter	2545548	EUR 47.-

#### BMS base module

BMS base module	2533800	EUR 832.-
-----------------	---------	-----------

#### Connection cable control modules/signalling modules

Control modules connecting cable	2533790	EUR 211.-
Signalling modules connecting cable	2533890	EUR 211.-

#### DDG impulse selector

DDG impulse selector	2533770	EUR 603.-
----------------------	---------	-----------

#### Outdoor temperature sensor Pt 100

Outdoor temperature sensor Pt 100	2533772	EUR 135.-
-----------------------------------	---------	-----------

#### Pump signalling module

Signalling module pump 1-2	2533812	EUR 459.-
Signalling module pump 3-6	2533836	EUR 459.-

#### SC-HVAC signal board

SC-HVAC signal board	2119646	on request
----------------------	---------	------------

#### Signal converter retrofit kit

Signal converter 0-10 V / 0-20 mA	2534992	EUR 263.-
-----------------------------------	---------	-----------

#### Temperature module

Temperature module for systems with 4-6 pumps	2533771	EUR 1,182.-
Temperature module for systems with 1-3 pumps	2534991	EUR 1,461.-

### Pump control/Smart control system

#### SCe-HVAC system

SCe-HVAC system 1x10A-M-WM	2542281	on request
SCe-HVAC system 2x10A-M-WM	2542282	on request



SCe-HVAC system 3x10A-M-WM	2542283	on request
----------------------------	---------	------------

### Pump control/interface module

#### Connect module Yonos MAXO

Wilo-Connect module Yonos MAXO	2210108	EUR 187,-
--------------------------------	---------	-----------

### Differential pressure detection

#### DDG (4-20mA)

Wilo-DDG 10 Signal Trans.(4-20mA)2G VP.	2136454	EUR 363,-
Wilo-DDG 20 Signal Trans.(4-20mA)2G VP.	2136456	EUR 363,-
Wilo-DDG 40 Signal Trans.(4-20mA)2G VP.	2136458	EUR 363,-
Wilo-DDG 60 Signal Trans.(4-20mA)2G VP.	2136460	EUR 363,-
Wilo-DDG 100 Signal Trans.(4-20mA)	2211740	EUR 363,-

#### DDG power supply unit

DDG power supply unit	501865293	EUR 382,-
-----------------------	-----------	-----------

#### DDG transducer

DDG transducer	501771990	EUR 1,775,-
----------------	-----------	-------------