



Data sheet

Hydraulic data

Maximum operating pressure PN	10 bar
Head max H_{max}	17.2 m
Flow max Q_{max}	57.3 m ³ /h
Minimum suction head at 50 °C m	7 m
Minimum suction head at 95 °C m	15 m
Minimum suction head at 110 °C	23 m
Min. fluid temperature T_{min}	-20 °C
Max. fluid temperature T_{max}	110 °C
Min. ambient temperature T_{min}	-20 °C
Max. ambient temperature T_{max}	40 °C

Motor data

Energy efficiency index (EEI)	≤0.20
Mains connection	1~230 V ±10%, 50/60 Hz
Min current I_{min}	0.3 A
Max current I_{max}	6.4 A
Rated power P_2	1215 W
Min. speed n_{min}	800 1/min
Max. speed n_{max}	3400 1/min
Power consumption $P_{1 min}$	40 W
Power consumption $P_{1 max}$	1450 W
Emitted interference	EN 61800-3;2004+A1;2012 /residential area (C1)
Interference resistance	EN 61800-3;2004+A1;2012 /industrial environment (C2)
Threaded cable connection	2 x M20x1.5
Insulation class	F
Protection class	IPX4D

Materials

Pump housing	Grey cast iron
Impeller	PP-LGF50
Shaft	Stainless steel
Bearing	Carbon-graphite

Installation dimensions

Pipe connection on the discharge side <i>DNd</i>	DN 65
Pipe connection on the suction side <i>DNs</i>	DN 65
Port-to-port length <i>L0</i>	340 mm

Equipment/function

Function

Control mode	Δp -v for variable differential pressure
	Δp -c for constant differential pressure
	Constant speed (3 speed stages)
Multi pump operation	Main/Standby (with Connect Module Yonos MAXO)
Display	Setpoint
	Fault signals (error codes)

Equipment

Approvals and labels	CE
	VDE
	EAC
Display	LED segment display
Display information	Basic Version: LED display (small) for showing the set head or speed stage.
Pump control	Electronic-controlled pump
Quick electrical connection	Wilo plug
Thermal insulation shell	As accessory
Blocking-current proof motor	yes
Particle filter	yes

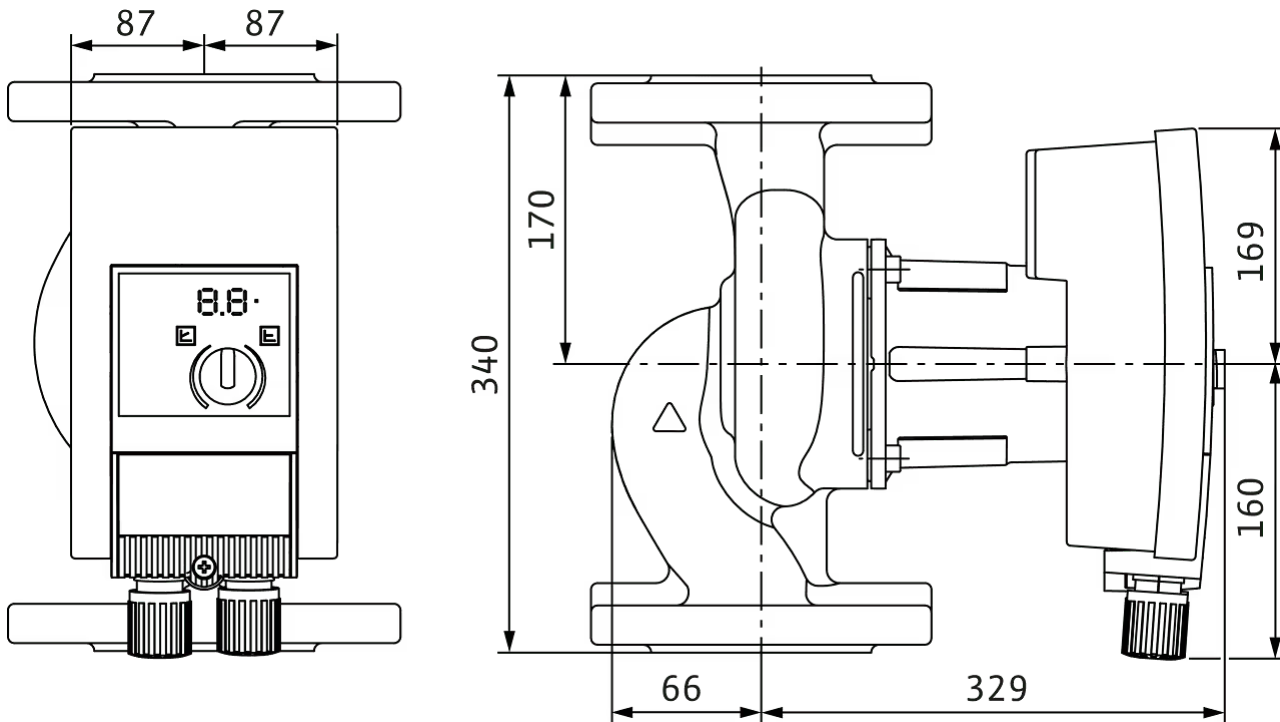
Connectivity

Digital input	Ext. OFF (via accessories Wilo-Connect module Yonos MAXO)
Digital output	SSM

Pump curves

Dimensions and dimensions drawings

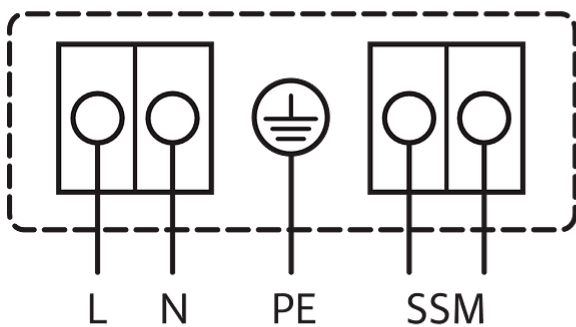
Yonos MAXO 65/0,5-16



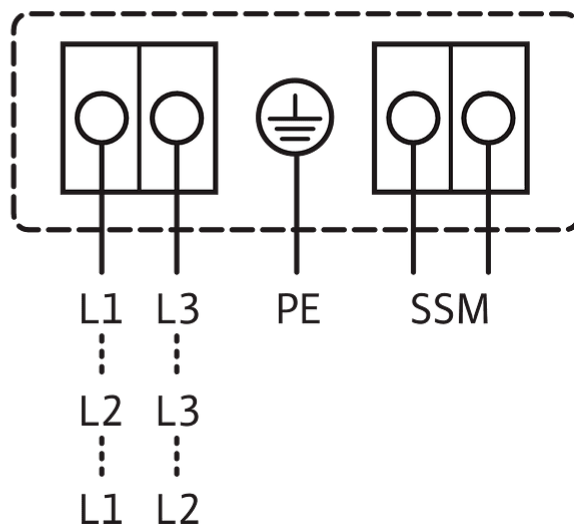
Wiring diagram

1~230V, 50/60 Hz

1~ 230 V, 50/60 Hz



3~230 V, 50/60 Hz



Collective fault signal
 SSM: (NC contact in accordance with VDI 3814, load capacity 1 A, 250 V ~)

Standard: 1~230 V, 50/60 Hz

Option: 3~230 V, 50/60 Hz

Tender text

High efficiency pump Wilo-Yonos MAXO electronically controlled,

Glandless circulator, synchronous motor according to ECM technology and integrated power control for continuous differential pressure control. Can be used for all heating, ventilation and air-conditioning applications.

Standard-equipped with:

- > Preselectable control modes for optimum load adjustment: Δp -c (differential pressure constant), Δp -v (differential pressure variable)
- > 3 speed stages (n = constant)

- > LED for setting the setpoint and displaying error messages
- > Electrical connection with the Wilo plug
- > Fault lamp and contact for collective fault signal

For flange-end pumps - flange versions:

- > Standard version for pumps DN 32 to DN 65: PN 6/10 combination flange (PN 16 flange according to EN 1092-2) for PN 6 and PN 16 counter flanges
- > Standard version for DN 80/DN 100 pumps: PN 6 flange (designed for PN 16 according to EN 1092-2) for PN 6 counter flange

Operating Data

Min. fluid temperature T_{\min}	-20 °C
Max. fluid temperature T_{\max}	110 °C
Min. ambient temperature T_{\min}	-20 °C
Max. ambient temperature T_{\max}	40 °C
Maximum operating pressure PN	10 bar
Minimum suction head at 50 °C m	7 m
Minimum suction head at 95 °C m	15 m
Minimum suction head at 110 °C	23 m

Motor data

Energy efficiency index (EEI)	≤0.20
Emitted interference	EN 61800-3;2004+A1;2012 /residential area (C1)
Interference resistance	EN 61800-3;2004+A1;2012 /industrial environment (C2)
Mains connection	1-230 V, 50/60 Hz
Power consumption $P_{1\max}$	1450 W
Min. speed n_{\min}	800 1/min
Max. speed n_{\max}	3400 1/min
Protection class motor	IPX4D
Threaded cable connection	2 x M20x1.5

Materials

Pump housing	Grey cast iron
Impeller	PP-LGF50
Shaft	Stainless steel
Bearing	Carbon-graphite

Installation dimensions

Pipe connection on the suction side DNs	DN 65
Pipe connection on the discharge side DNd	DN 65
Port-to-port length $L0$	340 mm

Ordering information

Brand	Wilo
Product description	Yonos MAXO 65/0,5-16 PN 6/10
Net weight, approx. m	27.5 kg
Article number	2120655

Mechanical accessories

Pipe installation

Counter flange kit

DN 65, PN 6 counter flange kit	2105582	EUR 77.-
DN 65, PN 10 counter flange kit	2105583	EUR 96.-

Pipe installation, adapter fitting

Adapter set glanded pumps

Adapter A65-20 SET, DN 65x20mm, PN 16	2085470	EUR 95.-
Adapter A65-45 Set, DN 65x45mm, PN 16	2085471	EUR 122.-

Intermediate flange connecting piece F

Intermediate flange pieces F 10, DN 65x20mm, PN 6	110624092	EUR 69.-
Intermediate flange pieces F 10, DN 65x20mm, PN 10/16	110624195	EUR 77.-
Intermediate flange pieces F 11, DN 65x30mm, PN 6	110624298	EUR 80.-
Intermediate flange pieces F 11, DN 65x30mm, PN 10/16	110624390	EUR 87.-
Intermediate flange pieces F 28, DN 65x40mm, PN 6	110681498	EUR 89.-
Intermediate flange pieces F 28, DN 65x40mm, PN 10/16	110681590	EUR 102.-
Intermediate flange pieces F 29, DN 65x45mm, PN 6	110681693	EUR 106.-
Intermediate flange pieces F 29, DN 65x45mm, PN 10/16	110681796	EUR 107.-
Intermediate flange pieces F 41, DN 65x135mm, PN 10/16	2101157	EUR 680.-
Intermediate flange pieces F 9, DN 65x10mm, PN 6	110787896	EUR 54.-
Intermediate flange pieces F 9, DN 65x10mm, PN 10/16	110791690	EUR 56.-

Thermal insulation

Thermal insulation shell Yonos MAXO

Thermal insulation shell Yonos MAXO 65/0,5-16	2123380	EUR 36.-
---	---------	----------

Electrical accessories

Pump control/accessories

Antenna GSM/GPRS

D-network dual-band antenna with 3 m cable	2533862	EUR 100.-
D-network tri-band antenna 10 m cable	2533863	EUR 385.-
D-network tri-band antenna 15 m cable	2533864	EUR 511.-
SMA/FME adapter	2545548	EUR 47.-

BMS base module

BMS base module	2533800	EUR 832.-
-----------------	---------	-----------

Connection cable control modules/signalling modules

Control modules connecting cable	2533790	EUR 211.-
Signalling modules connecting cable	2533890	EUR 211.-

DDG impulse selector

DDG impulse selector	2533770	EUR 603.-
----------------------	---------	-----------

Outdoor temperature sensor Pt 100

Outdoor temperature sensor Pt 100	2533772	EUR 135.-
-----------------------------------	---------	-----------

Pump signalling module

Signalling module pump 1-2	2533812	EUR 459.-
Signalling module pump 3-6	2533836	EUR 459.-

SC-HVAC signal board

SC-HVAC signal board	2119646	on request
----------------------	---------	------------

Signal converter retrofit kit

Signal converter 0-10 V / 0-20 mA	2534992	EUR 263.-
-----------------------------------	---------	-----------

Temperature module

Temperature module for systems with 4-6 pumps	2533771	EUR 1,182.-
Temperature module for systems with 1-3 pumps	2534991	EUR 1,461.-

Pump control/Smart control system

SCe-HVAC system

SCe-HVAC system 1x10A-M-WM	2542281	on request
SCe-HVAC system 2x10A-M-WM	2542282	on request

SCe-HVAC system 3x10A-M-WM	2542283	on request
----------------------------	---------	------------

Pump control/interface module

Connect module Yonos MAXO

Wilo-Connect module Yonos MAXO	2210108	EUR 187,-
--------------------------------	---------	-----------

Differential pressure detection

DDG (4-20mA)

Wilo-DDG 10 Signal Trans.(4-20mA)2G VP.	2136454	EUR 363,-
Wilo-DDG 20 Signal Trans.(4-20mA)2G VP.	2136456	EUR 363,-
Wilo-DDG 40 Signal Trans.(4-20mA)2G VP.	2136458	EUR 363,-
Wilo-DDG 60 Signal Trans.(4-20mA)2G VP.	2136460	EUR 363,-
Wilo-DDG 100 Signal Trans.(4-20mA)	2211740	EUR 363,-

DDG power supply unit

DDG power supply unit	501865293	EUR 382,-
-----------------------	-----------	-----------

DDG transducer

DDG transducer	501771990	EUR 1,775,-
----------------	-----------	-------------