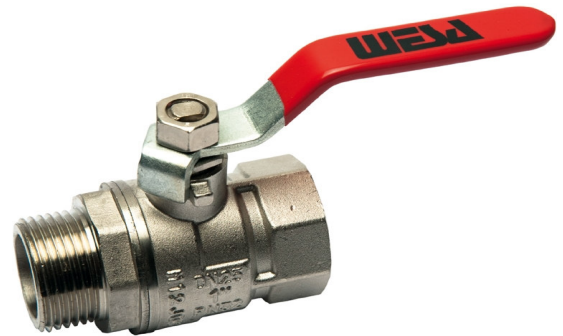


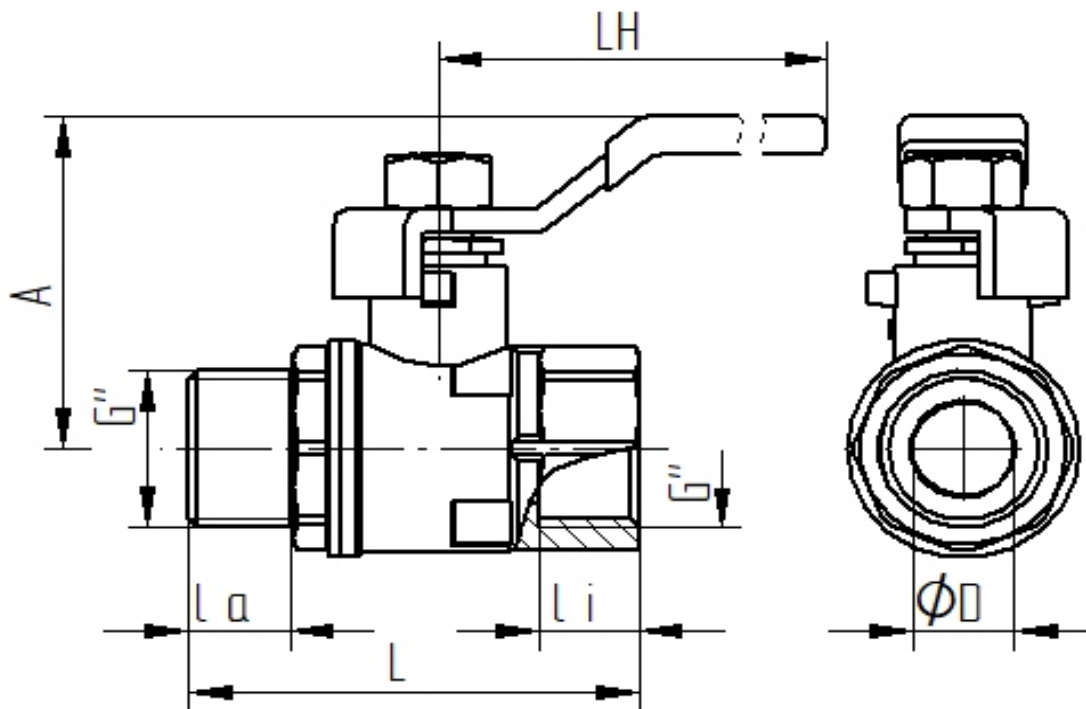
Brass

TECHNICAL DATA

temperature range:	- 20°C up to max. + 150°C, pressure-dependent
pressure range :	max. PN 40 bar, depending on nominal size and temperature
compressed air:	max. 10 bar
connecting thread:	according to DIN EN ISO 228-1
body material:	Brass CW617N nickel plated
threaded ends:	Brass CW617N nickel plated
ball:	Brass CW614N hard chromed
ball seals:	PTFE
stem:	Brass CW6174 nickel plated
stem seals:	PTFE , O-Ring FKM with packing gland
handle:	steel, red plastic coated



Connecting thread female / male



Art.Nr.	G"	øD	L mm	li mm	la mm	A mm	LH mm	SW mm	PN bar	weight (g)
610-02	1/4"	10	47	10,5	10	42	91	20	40	147
610-03	3/8"	10	47	10,5	10	42	91	20	40	140
610-04	1/2"	13	56	12,5	13	45	91	26	40	209
610-05	3/4"	19	60	12,5	13	49	91	32	40	303
610-06	1"	24	78	16	17	58	100	40	32	534
610-07	1 1/4"	32	86,5	14	16,5	72	130	48	25	780
610-08	1 1/2"	38	95	14,5	17	77	130	54	20	971
610-09	2"	49,5	115	19,5	17,5	97	154	68	16	1661
610-10	2 1/2"	59	143,5	24	18,5	119	224	80	16	2665