

Brass

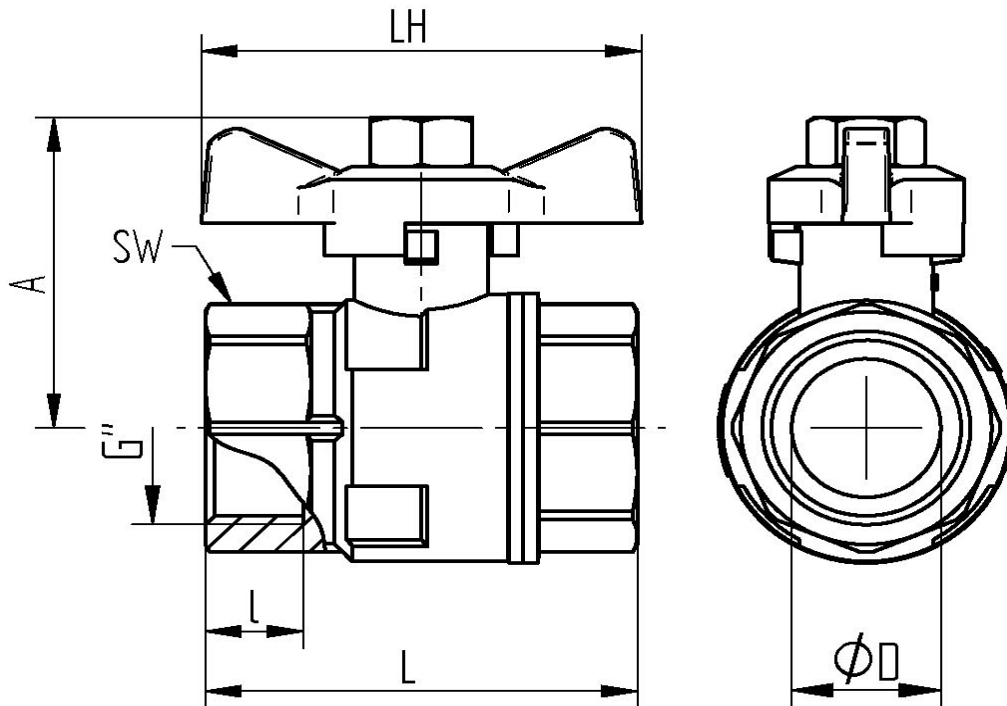
TECHNICAL DATA

temperature range:	- 20°C up to max. + 150°C, pressure-dependent
pressure range :	max. PN 40 bar, depending on nominal size and temperature
compressed air:	max. 10 bar
connecting thread:	according to DIN EN ISO 228-1
body material:	Brass CW617N nickel plated
threaded ends:	Brass CW617N nickel plated
ball:	Brass CW614N hard chromed
ball seals:	PTFE
stem:	Brass CW614N nickel plated
stem seals:	PTFE , O-Ring FKM with packing gland
butterfly handle:	Alu red painted



Body contact and inside brass nature

Connecting thread female/female



Art.Nr.	G"	DN	øD	L mm	l mm	A mm	LH mm	SW mm	PN bar	weight (g)	Kv [m³/h]
606-02	1/4"	8	10	42,5	10	33	56	20	40	121	3,33
606-03	3/8"	10	10	42,5	10	33	56	20	40	108	4,92
606-04	1/2"	15	13	50	12	38	56	26	40	175	8,14
606-05	3/4"	20	19	55	12	42	56	32	40	246	23,46
606-06	1"	25	24	68	15	52	72	40	32	464	38,67
606-07	1 1/4"	32	32	76	15	64	78	48	25	641	52,00
606-08	1 1/2"	40	38	84	15	68	78	54	20	876	86,60