

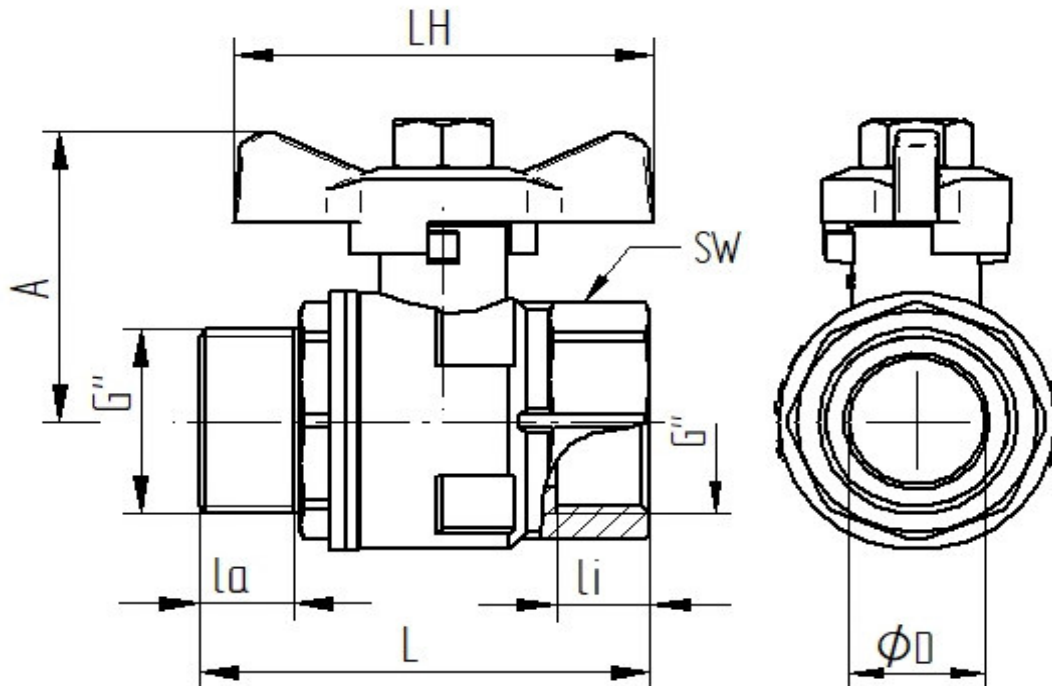
## Brass

### TECHNICAL DATA

temperature range:	- 20°C up to max. + 150°C, pressure-dependent
pressure range :	max. PN 40 bar, depending on nominal size and temperature
compressed air:	max. 10 bar
connecting thread:	according to DIN EN ISO 228-1
body material:	Brass CW617N nickel plated
threaded ends:	Brass CW617N nickel plated
ball:	Brass CW614N hard chromed
ball seals:	PTFE
stem:	Brass CW614N nickel plated
stem seals:	PTFE , O-Ring FKM with packing gland
butterfly handle:	aluminium, red painted



### Connecting thread female / male



Art.Nr.	G"	øD	L mm	li mm	la mm	A mm	LH mm	SW mm	PN(bar)	Gewicht (g)
616-02	1/4"	10	47	10,5	10	33	56	20	40	111
616-03	3/8"	10	47	10,5	10	33	56	20	40	110
616-04	1/2"	13	56	12,5	13	38	56	26	40	181
616-05	3/4"	19	60	12,5	13	42	56	32	40	256
616-06	1"	24	78	16	17	52	72	40	32	510
616-07	1 1/4"	32	86,5	14	16,5	64	78	48	25	668