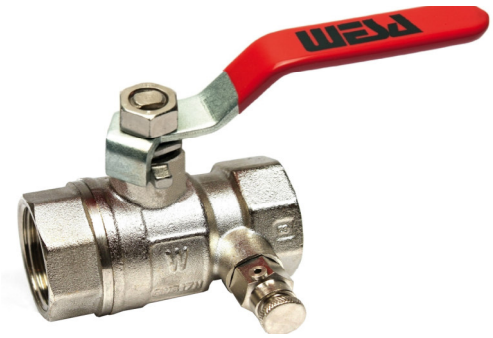


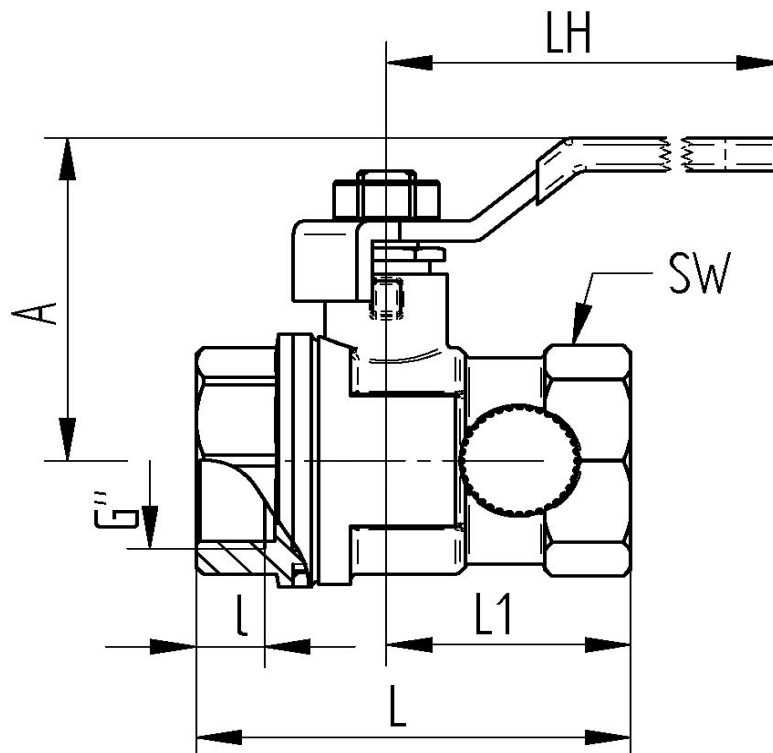
Brass

TECHNICAL DATA

temperature range:	- 20°C up to max. + 150°C, pressure-dependent
pressure range :	max. PN 40 bar, depending on nominal size and temperature
connecting thread:	according to DIN EN ISO 228-1
body material:	Brass CW617N nickel plated
threaded ends:	Brass CW617N nickel plated
ball:	Brass CW614N chromium plated
ball seals:	PTFE
stem:	Brass CW614N nickel plated
stem seals:	PTFE , O-Ring FKM with packing gland
O-Ring plug:	EPDM
O-Ring draining:	EPDM
handle:	steel, red plastic coated



Connecting thread female / female



Art. Nr.	G	øDN	A mm	LH mm	L 1	l mm	L mm	SW	PN(bar)	weight (g)
704-04	1/2"	15	48	91	34,5	11	58	26	40	232
704-05	3/4"	20	52	91	34,5	11	61	32	40	308
704-06	1"	25	55	100	40	14	74	38	32	448
704-07	1 1/4"	32	74	130	48	14	85	50	25	755
704-08	1 1/2"	40	76	130	48	15	90	52	20	953
704-09	2"	50	92	154	55	16	107	68	16	1665