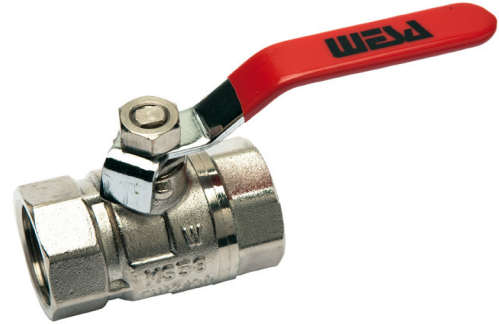


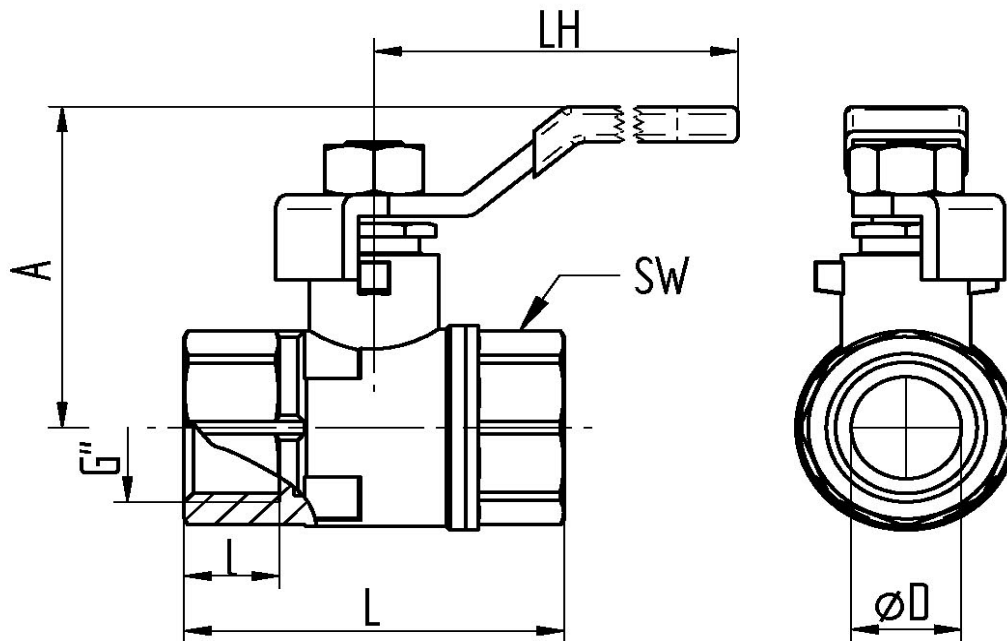
Brass

TECHNICAL DATA

| | |
|--------------------|---|
| temperature range: | - 20°C up to max. + 150°C, pressure-dependent |
| pressure range : | max. PN 40 bar, depending on nominal size and temperature |
| compressed air: | max. 10 bar |
| connecting thread: | according to DIN EN ISO 228-1 |
| body material: | Brass CW617N nickel plated |
| threaded ends: | Brass CW617N nickel plated |
| ball: | Brass CW614N chromium plated |
| ball seals: | PTFE |
| stem: | Brass CW617N nickel plated |
| stem seals: | PTFE , O-Ring FKM with packing gland |
| handle: | steel, red plastic coated |



Connecting thread female/female



| Art.Nr. | G" | DN | øD | L mm | l mm | A mm | LH mm | SW mm | PN bar | weight (gr) | Kv [m³/h] |
|---------|--------|-----|------|------|------|------|-------|-------|--------|-------------|-----------|
| 600-02 | 1/4" | 8 | 10 | 42,5 | 10 | 42 | 91 | 20 | 40 | 141 | 3,33 |
| 600-03 | 3/8" | 10 | 10 | 42,5 | 10 | 42 | 91 | 20 | 40 | 128 | 4,92 |
| 600-04 | 1/2" | 15 | 13 | 50 | 12 | 45 | 91 | 26 | 40 | 200 | 8,14 |
| 600-05 | 3/4" | 20 | 19 | 55 | 12 | 49 | 91 | 32 | 40 | 273 | 23,46 |
| 600-06 | 1" | 25 | 24 | 68 | 15 | 58 | 100 | 40 | 32 | 485 | 38,67 |
| 600-07 | 1 1/4" | 32 | 32 | 76 | 14 | 72 | 130 | 48 | 25 | 698 | 52,00 |
| 600-08 | 1 1/2" | 40 | 38 | 84 | 15 | 77 | 130 | 54 | 20 | 933 | 86,60 |
| 600-09 | 2" | 50 | 49,5 | 106 | 19 | 97 | 154 | 68 | 20 | 1644 | 160,25 |
| 600-10 | 2 1/2" | 65 | 59 | 130 | 24 | 119 | 223 | 80 | 16 | 2461 | 150,00 |
| 600-11 | 3" | 80 | 69 | 146 | 25 | 130 | 223 | 98 | 16 | 3734 | 208,00 |
| 600-12 | 4" | 100 | 89,5 | 193 | 40 | 150 | 304 | 124 | 16 | 7400 | 308,00 |