

Qty. Description

1 **SCALA2 3-45**



Product No.: [98562862](#)

Grundfos SCALA2 is a fully integrated, self-priming, compact waterworks for pressure boosting in domestic applications.

SCALA2 incorporates integrated speed control enabling the keeping of the perfect pressure at the taps, meaning that the pump performance will increase with increasing demand.

SCALA2 can be installed in three easy steps:

1. Connect the pipes.
2. Prime the pump.
3. Plug the pump into the power outlet and the pump will start.

Grundfos SCALA2 has all the components necessary to ensure a comfortable pressure:

- intelligent controller
- integrated speed-controlled drive
- integrated tank
- integrated sensors
- integrated non-return valves.

As it is self-priming, the SCALA2 is able to pump water from a level below the pump.

Provided it is filled with water, the pump is able to lift water from a depth of 8 m in less than 5 minutes.

This facilitates easy installation and start-up of the pump and provides more reliable water supply in installations where there is a risk of dry running and leakages in suction hose or pipes.

If exposed to dry running, water shortage or excessive temperature, blocked pump, for example in case of seizure or overload, the pump will stop automatically, thus preventing a motor burnout.

The pump features an automatic reset function. In case of dry running or similar alarm, the pump will stop. Restarting will be attempted every 5 minutes 8 times, there after new restart attempt will occur every 24 hours. The automatic reset function can be deactivated.

Thanks to its hydraulic design, permanent magnet motor and water cooling, the pump is extremely low-noise, 47 dB(A) in typical use, which makes it suitable for indoor as well as outdoor use. Max noise level at full load are 53 dB(A)

The built-in pressure tank reduces the number of starts and stops in case of leakages in the pipe system, causing less wear on the pump.

SCALA2 require no maintenance, but it is recommended to keep the pump clean, check the non-return valves and keep the ventilation holes free of dust

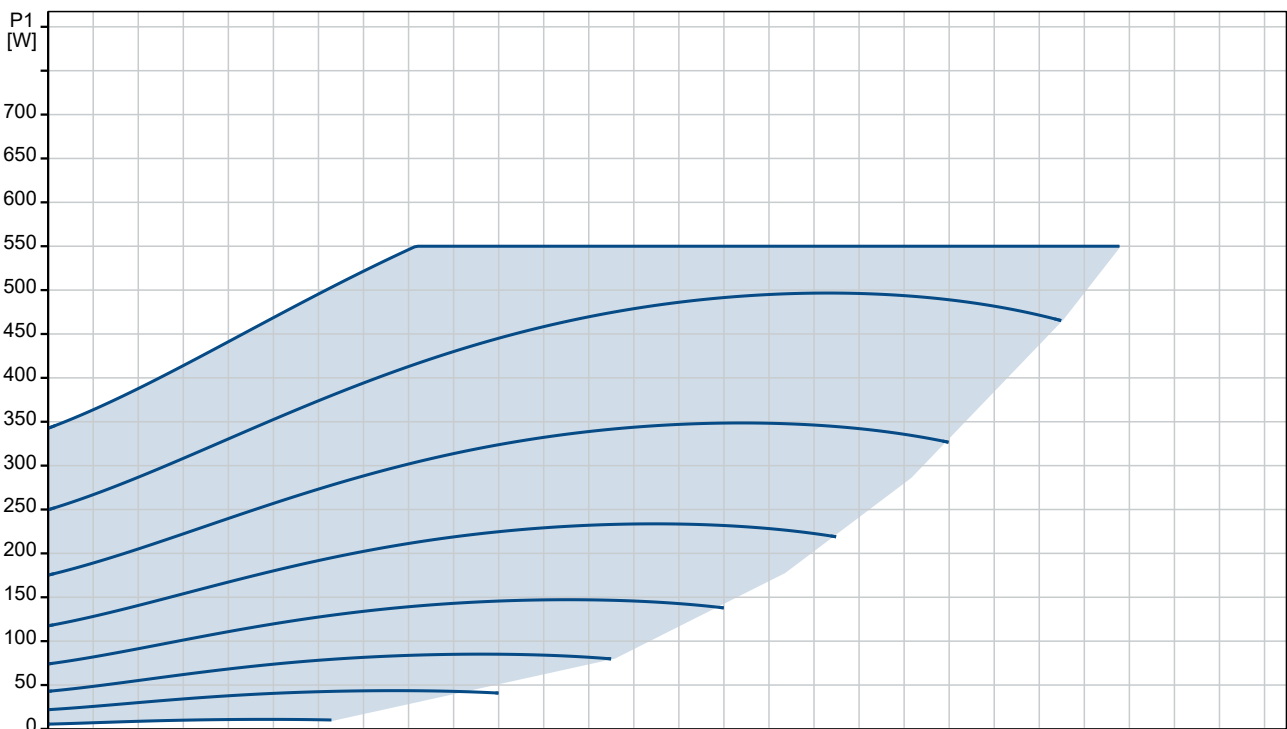
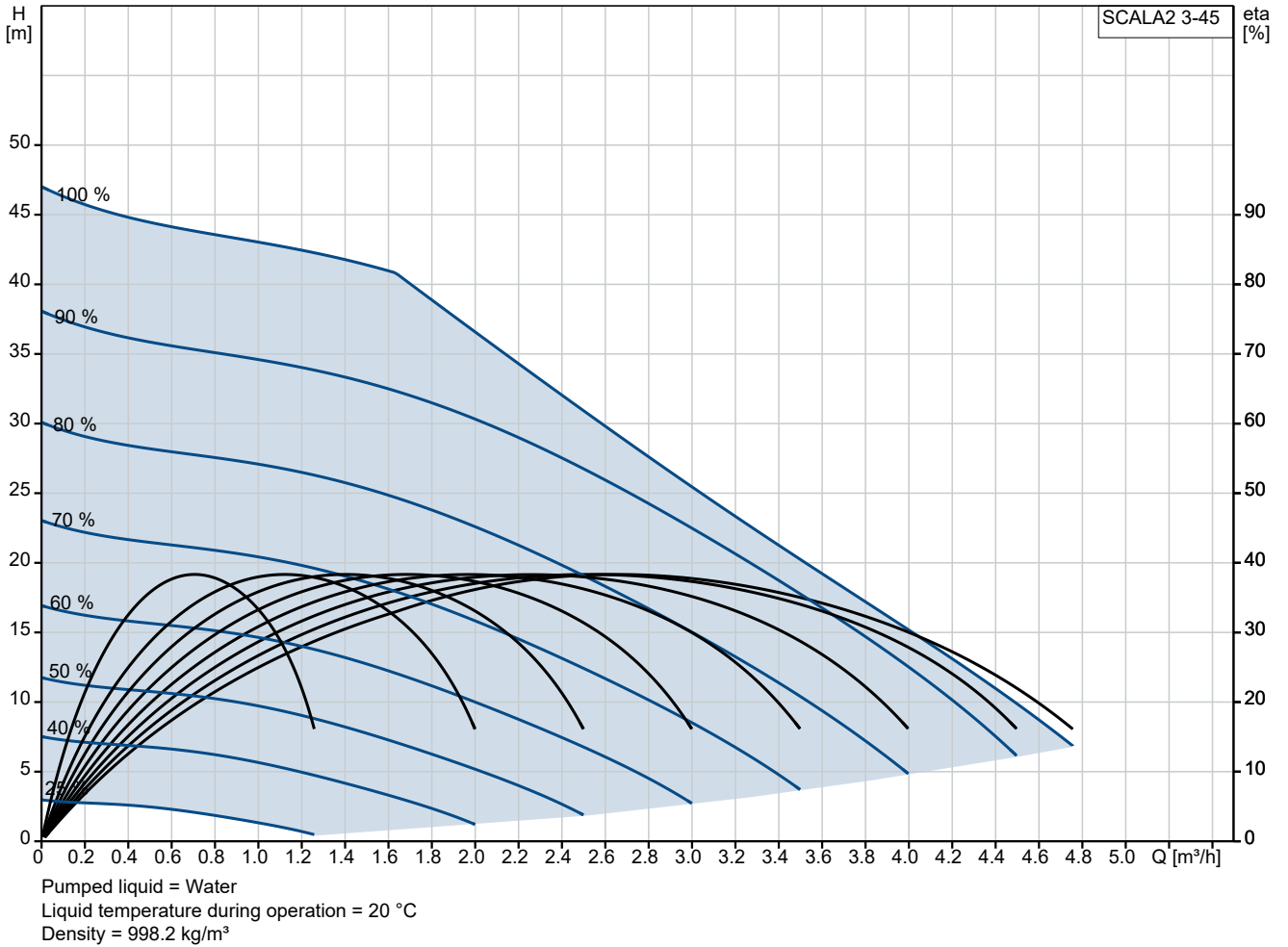
Controls:

Type of connector: Type E/F (CEE7/7)

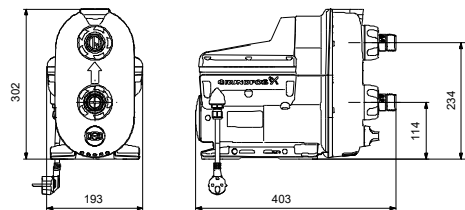
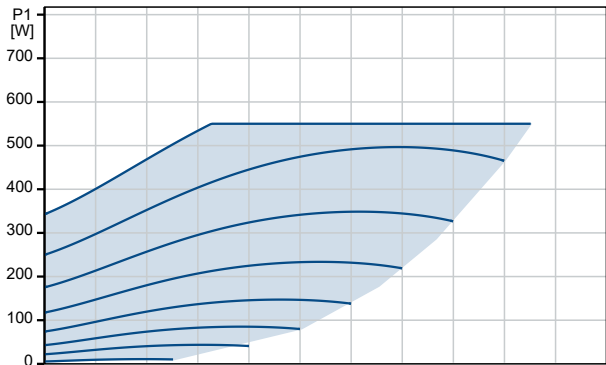
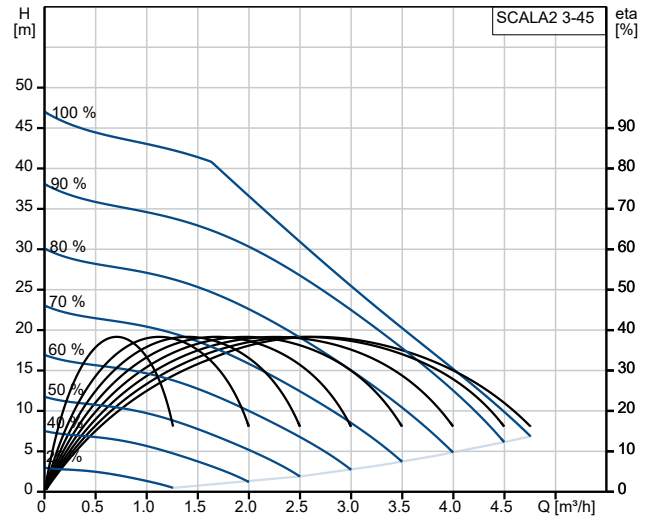
Qty. Description

1	<p>Liquid: Pumped liquid: Water Liquid temperature range: 0 .. 45 °C Selected liquid temperature: 20 °C Density: 998.2 kg/m³</p> <p>Technical: Rated flow: 3 m³/h Maximum flow: 4.6 m³/h Rated head: 27 m Primary shaft seal: Carbon/Ceramic Approvals: CE,VDE,MORO,UKCA,KC,SEPRO,AAA Approvals for drinking water: WRAS,ACS Curve tolerance: ISO9906:2012 3B Max. pump speed: 5200 rpm</p> <p>Materials: Pump housing: Composite NORYL FE1630PW PPE+PS-GS30 Impeller: Composite NORYL FE1630PW PPE+PS-GS30</p> <p>Installation: Range of ambient temperature: 0 .. 55 °C Maximum operating pressure: 10 bar Maximum permissible inlet pressure: 6 bar Pipe connection standard: EN 10226-1 Type of inlet connection: R Type of outlet connection: R Size of inlet connection: 1 inch Size of outlet connection: 1 inch Pressure rating for connection: PN 10</p> <p>Electrical data: Power input P1: 550 W Rated power - P2: 0.45 kW Mains frequency: 50 / 60 Hz Rated voltage: 1 x 200-240 V Minimum current consumption: 0.01 A Maximum current consumption: 2.8 A Enclosure class (IEC 34-5): X4D Insulation class (IEC 85): F Length of power cable: 1.5 m Power plug: Schuko plug</p> <p>Others: Net weight: 9.5 kg Gross weight: 12.2 kg Shipping volume: 0.043 m³ Storage temperature range: -40 .. 70 °C Danish VVS No.: 385183145 Swedish RSK No.: 5931159 Finnish LVI No.: 4732505 Norwegian NRF no.: 9040011</p>
---	--

98562862 SCALA2 3-45



Description	Value
General information:	
Product name:	SCALA2 3-45
Product No:	98562862
EAN number:	5711497234216
Price:	
Technical:	
Rated flow:	3 m ³ /h
Maximum flow:	4.6 m ³ /h
Rated head:	27 m
Maximum head:	45 m
Primary shaft seal:	Carbon/Ceramic
Approvals:	CE, VDE, MORO, UKCA, KC, SEPR, O, AAA
Approvals for drinking water:	WRAS, ACS
Curve tolerance:	ISO9906:2012 3B
Model:	A
Max. pump speed:	5200 rpm
Materials:	
Pump housing:	Composite
Pump housing:	NORYL FE1630PW PPE+PS-GS30
Impeller:	Composite
Impeller:	NORYL FE1630PW PPE+PS-GS30
Material code:	A
Installation:	
Range of ambient temperature:	0 .. 55 °C
Maximum operating pressure:	10 bar
Maximum permissible inlet pressure:	6 bar
Pipe connection standard:	EN 10226-1
Type of inlet connection:	R
Type of outlet connection:	R
Size of inlet connection:	1 inch
Size of outlet connection:	1 inch
Pressure rating for connection:	PN 10
Liquid:	
Pumped liquid:	Water
Liquid temperature range:	0 .. 45 °C
Selected liquid temperature:	20 °C
Density:	998.2 kg/m ³
Electrical data:	
Power input P1:	550 W
Rated power - P2:	0.45 kW
Mains frequency:	50 / 60 Hz
Rated voltage:	1 x 200-240 V
Minimum current consumption:	0.01 A
Maximum current consumption:	2.8 A
Enclosure class (IEC 34-5):	X4D
Insulation class (IEC 85):	F
Length of power cable:	1.5 m
Power plug:	Schuko plug
Controls:	
Type of connector:	Type E/F (CEE7/7)
Others:	
Net weight:	9.5 kg
Gross weight:	12.2 kg
Shipping volume:	0.043 m ³
Storage temperature range:	-40 .. 70 °C





Company name:

Created by:

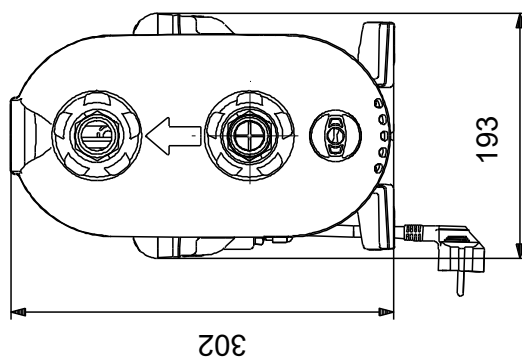
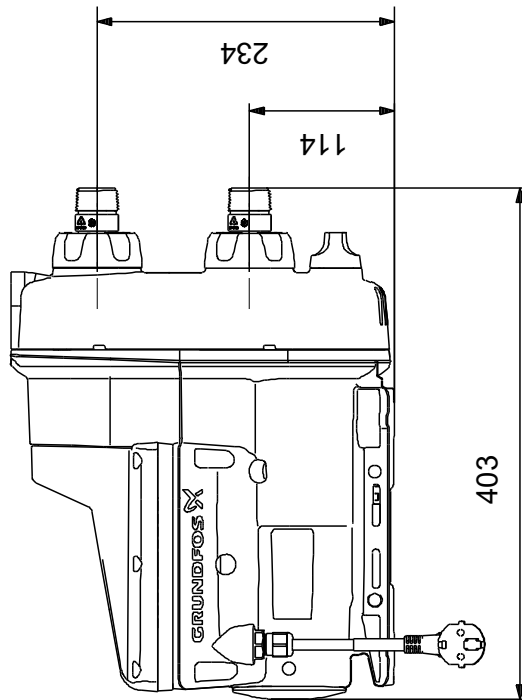
Phone:

Date:

13/06/2024

Description	Value
Danish VVS No.:	385183145
Swedish RSK No.:	5931159
Finnish LVI No.:	4732505
Norwegian NRF no.:	9040011

98562862 SCALA2 3-45



Note! All units are in [mm] unless others are stated.

Disclaimer: This simplified dimensional drawing does not show all details.