

Qty.	Description
------	-------------

1	ALPHA SOLAR 25-75 180
---	-----------------------



Note! Product picture may differ from actual product

Product No.: [98989300](#)

High efficiency canned-rotor circulator pump designed for all kinds of thermal solar systems. The compact design fits into most installations.

The speed can be controlled by a low-voltage PWM (Pulse Width Modulation) signal from a solar controller to optimise the solar harvesting and temperature of the system.

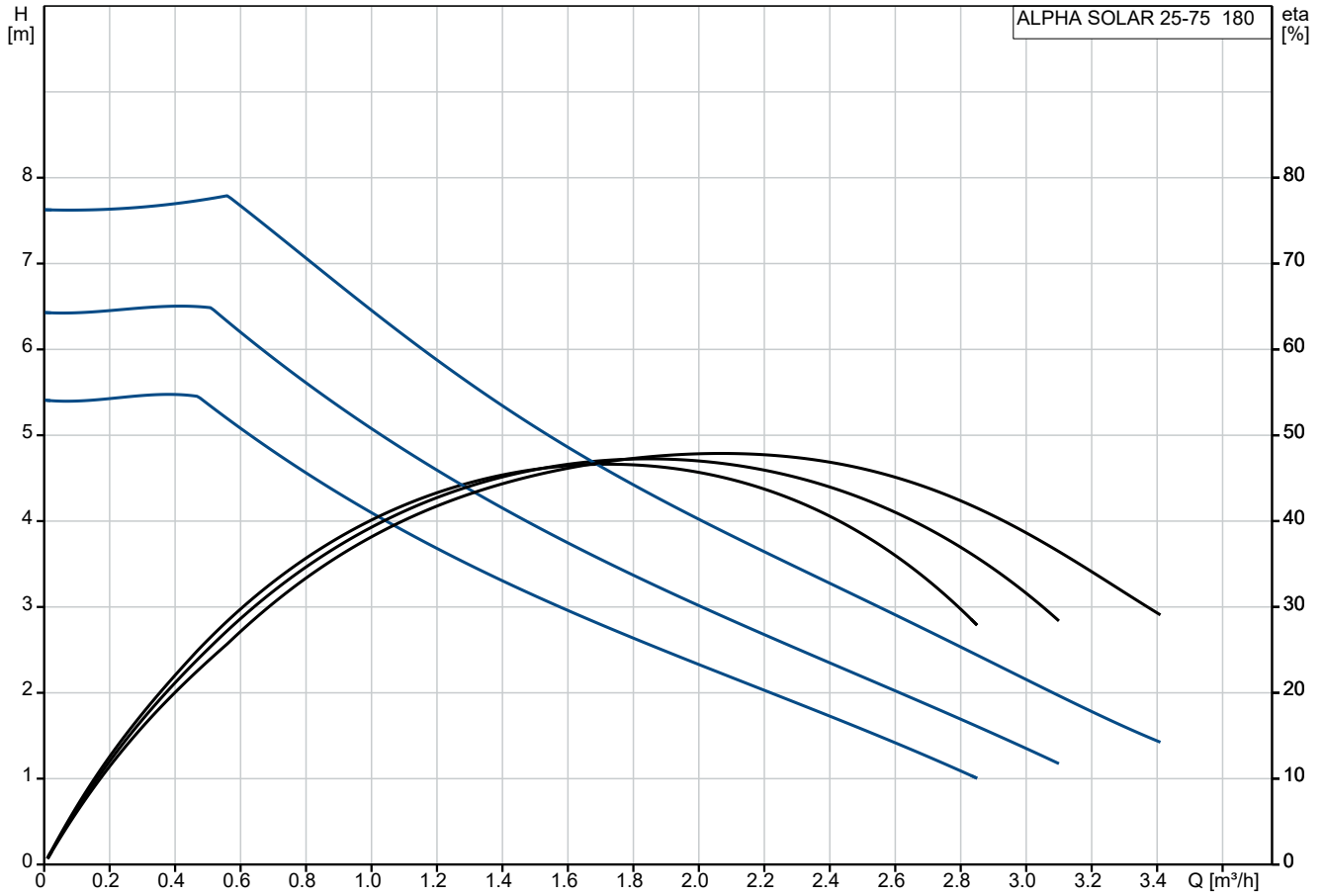
If no PWM signal is available, the pump can be set to operate in constant-curve control mode with three different settings available. Control modes and settings can easily be selected on the operating panel.

The pump is of the canned-rotor type, which means that the pump and motor form an integral unit. The bearings are lubricated by the pumped liquid ensuring maintenance-free operation.

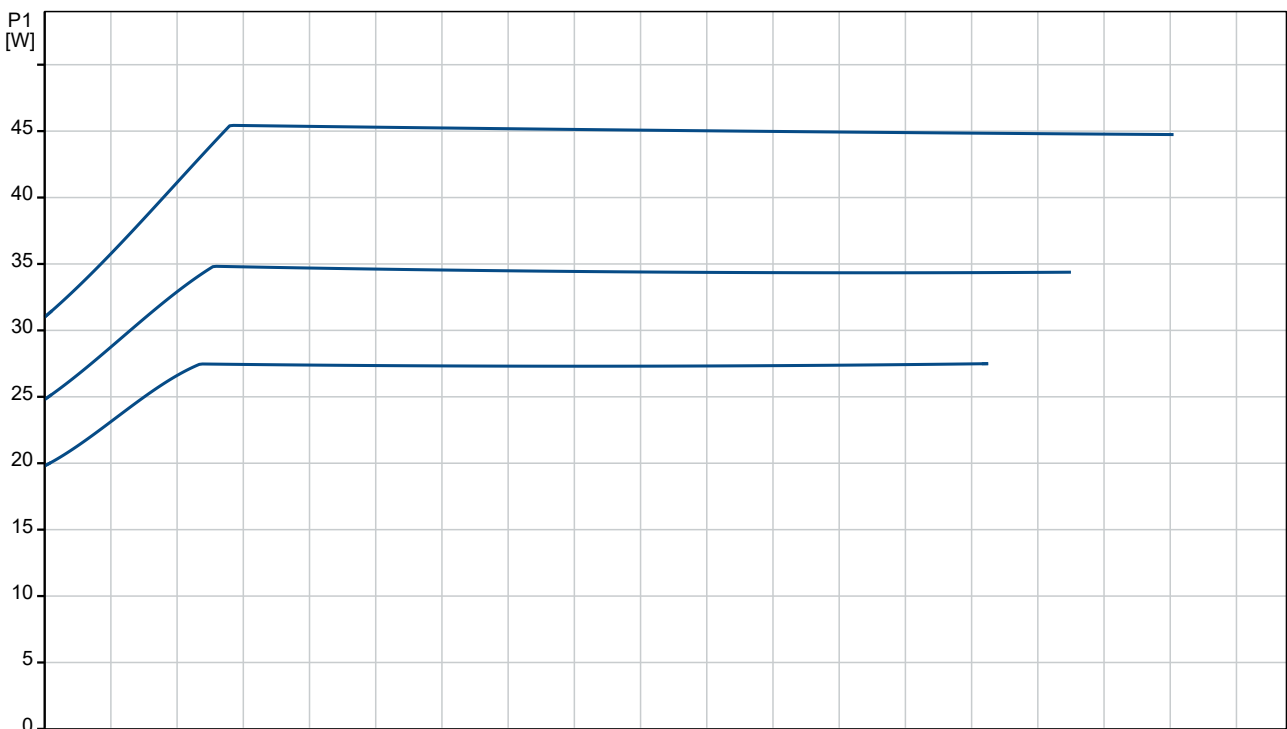
The pump has a deblocking device accessible from the front of the pump.

The pump housing is available in both cast-iron and stainless-steel versions. The pump housing made of cast iron is electrocoated which improves the corrosion resistance. The pump housing made of stainless steel is ideal for applications where corrosion must be avoided, for example in domestic hot-water applications.

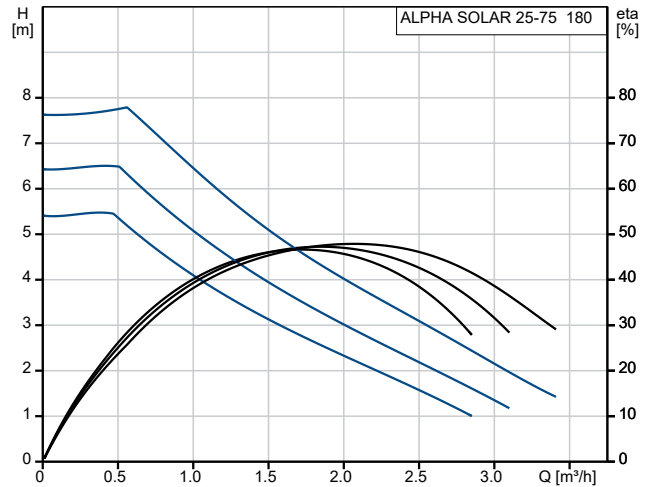
98989300 ALPHA SOLAR 25-75 180



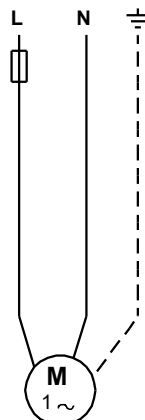
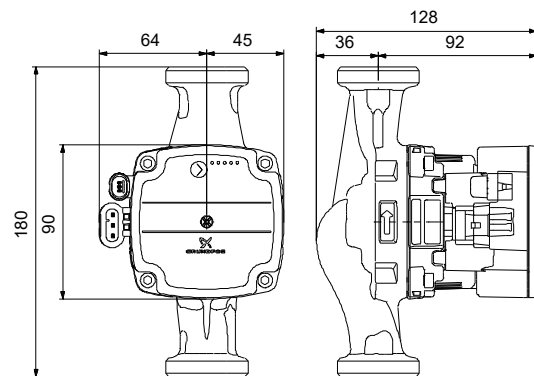
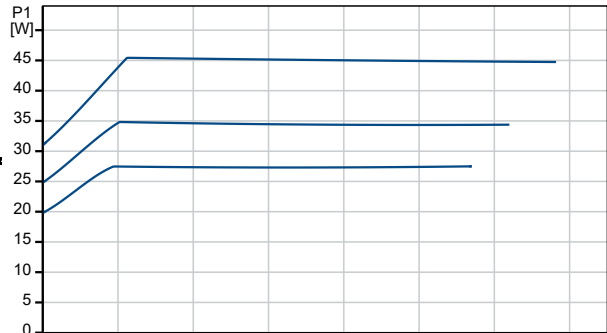
Pumped liquid = Water
 Liquid temperature during operation = 60 °C
 Density = 983.2 kg/m³



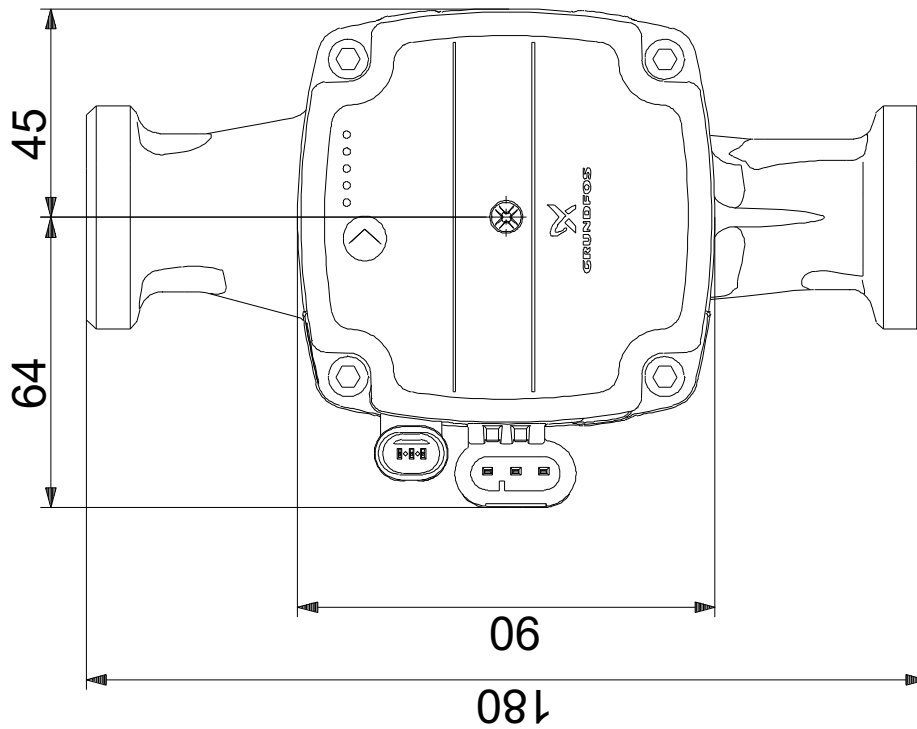
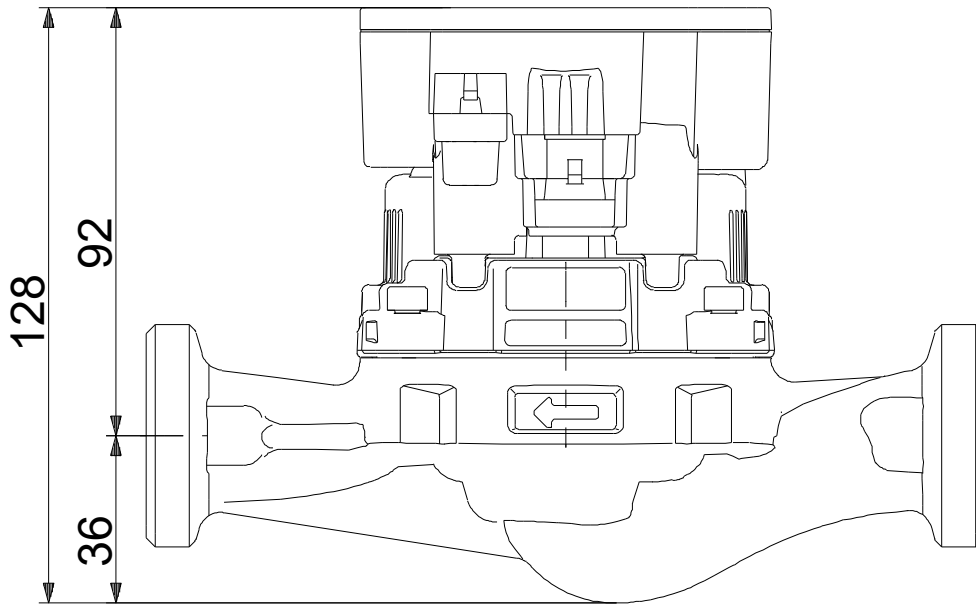
Description	Value
General information:	
Product name:	ALPHA SOLAR 25-75 180
Product No:	98989300
EAN number:	5712604776674
Technical:	
Rated flow:	1.85 m ³ /h
Rated head:	3.285 m
Maximum head:	75 dm
TF class:	110
Approvals:	CE,VDE,EAC
Model:	B
Materials:	
Pump housing:	Cast iron
Pump housing:	EN 1561 EN-GJL-150
Pump housing:	ASTM A48-150B
Impeller:	Composite
Impeller:	PES 30% GF + PESU-GF20%
Installation:	
Range of ambient temperature:	2 .. 70 °C
Maximum operating pressure:	10 bar
Type of connection:	G
Size of connection:	1 1/2 inch
Pressure rating for connection:	PN 10
Port-to-port length:	180 mm
Liquid:	
Pumped liquid:	Water
Liquid temperature range:	2 .. 110 °C
Selected liquid temperature:	60 °C
Density:	983.2 kg/m ³
Electrical data:	
Minimum power input - P1:	2 W
Power input P1:	45 W
Mains frequency:	50 / 60 Hz
Rated voltage:	1 x 230 V
Maximum current consumption:	0.04 .. 0.48 A
Enclosure class (IEC 34-5):	X4D
Insulation class (IEC 85):	F
Others:	
Energy (EEL):	0.20
Terminal box position:	9H
Net weight:	2.18 kg
Gross weight:	2.37 kg
Shipping volume:	0.004 m ³
Country of origin:	DK
Custom tariff no.:	84137030



Pumped liquid = Water
Liquid temperature during operation = 60 °C
Density = 983.2 kg/m³

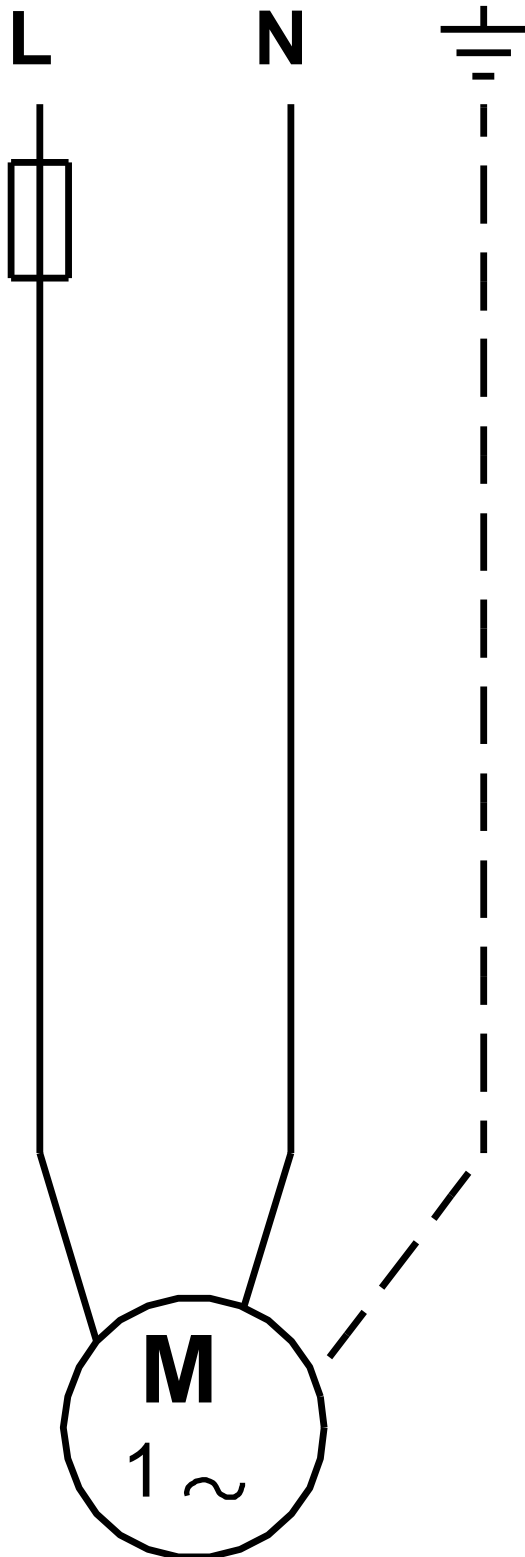


98989300 ALPHA SOLAR 25-75 180



Note! All units are in [mm] unless others are stated.
Disclaimer: This simplified dimensional drawing does not show all details.

98989300 ALPHA SOLAR 25-75 180



Note! All units are in [mm] unless others are stated.