

BIMETAL-POINTER-THERMOMETER

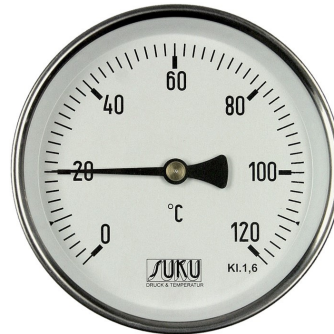


DRUCK & TEMPERATUR

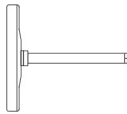
For heating and sanitary industry

NS 63, NS 80, NS 100, NS 160

A solid constructed temperature measuring instrument for heating and sanitary industry.



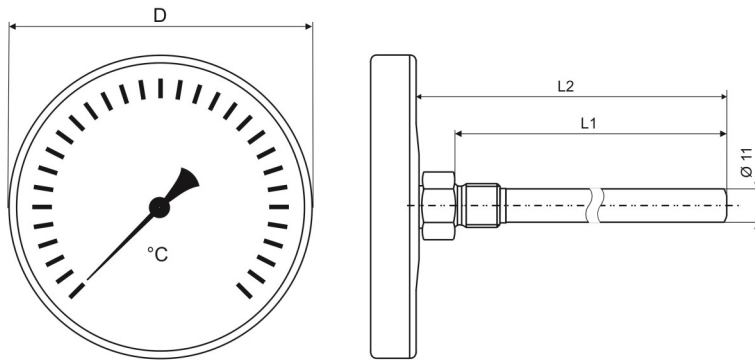
Type 996 prot. tube for screwing-in Type 966 prot. tube for welding-in

Type	01 063	01 080	01 100	01 160	Options
Nominal size	63	80	100	160	NS 50 on request
Symbol					with brass flange type 04-3691 for use in ventilation systems and in air conditioning
Accuracy	Factory norm 1,6				Class 1,0
Ranges (°C)	-30/+50, 0/40, 0/80, -20/+60, 0/60, 0/100, 0/120, 0/160, 0/200, 0/250, 0/300				0/350, 0/400, 0/500 and more see types B11 and B14
Application	Full scale value				
Pressure at thermowell	max. 6 bar				
Case	Steel galvanised				
Slip ring	Stainless steel	Steel galvanised	Stainless steel	Stainless steel, coated black	
Dial	Aluminium, white, scale and letters black printed				
Pointer	Aluminium, black				
Window	Glass	Plastic	Glass	Glass	
Plain stem	Ø 9 mm, back centric				
Connection	Removable screw neck made of brass, Ø 11 mm, Thread connection G 1/2 A, With lateral fixing screw M3, steel galvanised				Ø 8 mm at plain stem length 45 mm Protection tube for screwing-in Protection tube for welding-in
Nominal length immersion tube	45, 63, 100 turned of solid material 150, 200 multipart, soft welded				more lengths on request
Protection class	IP 43				
Weight (kg)	0,07	0,08	0,13	0,28	

Type 01

Dimensional drawings

Dimensions in mm



DRUCK & TEMPERATUR

Meas. range	Subdivision
-20/+60 °C	1:1
-30/+50 °C	1:1
0/40 °C	1:1
0/60 °C	1:1
0/100 °C	1:1
0/120 °C	2:1
0/160 °C	2:1
0/200 °C	5:1
0/250 °C	5:1
0/300 °C	5:1

Type 01 with removable screw neck

Type	D	L - nominal length (L1, L2) in mm
01 063	64	45 (40, 47), 63 (60, 65), 100 (95, 100), 160 (154, 160), 200 (195, 200), 300 (295, 300), others on request
01 080	80	45 (35, 45), 63 (60, 65), 100 (90, 100), 160 (145, 150), 200 (195, 200), 300 (295, 300), others on request
01 100	100	45 (45, 50), 63 (60, 65), 100 (95, 100), 160 (154, 160), 200 (195, 200), 300 (295, 300), others on request
01 160	161	45 (45, 50), 63 (60, 65), 100 (95, 100), 160 (154, 160), 200 (195, 200), 300 (295, 300), others on request

Protection tubes - options

Dimensions in mm

Type 996 Protection tube for screwing-in

Material: stainless steel 1.4571

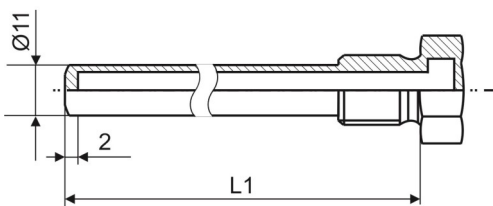
Thread connection: G 1/2 A

lateral fixing screw M3, steel galvanised

up to nominal length 100 turned of solid material

nominal length over 100 soft soldered,

over 120°C hard soldered



Nominal length	L1 in mm
45	40
63	60
100	95
160	155
200	195

Type 966 Protection tube for welding-in

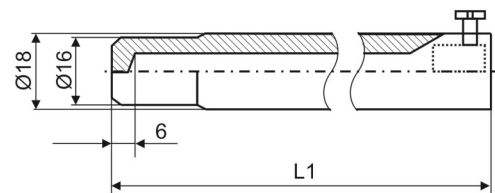
Material: machining steel, good weldability

one-piece, PN 40

lateral fixing screw M3, steel galvanised

up to nominal length 100 turned of solid material

nominal length over 100 welded



Nominal length	L1 in mm
45	55
63	70
100	105
160	155
200	205