

Qty. Description

1 COMFORT 15-14 BDT PM



Note! Product picture may differ from actual product

Product No.: [99812350](#)

The high-efficiency Grundfos COMFORT BDT PM and BXDT PM pumps are designed for recirculation of domestic hot water in single-family and two-family houses securing hot water instantly to all faucets.

The pumps have a corrosion-resistant pump housing suitable for drinking water and are powered by a single-phase, high-efficiency ECM with permanent-magnet rotor.

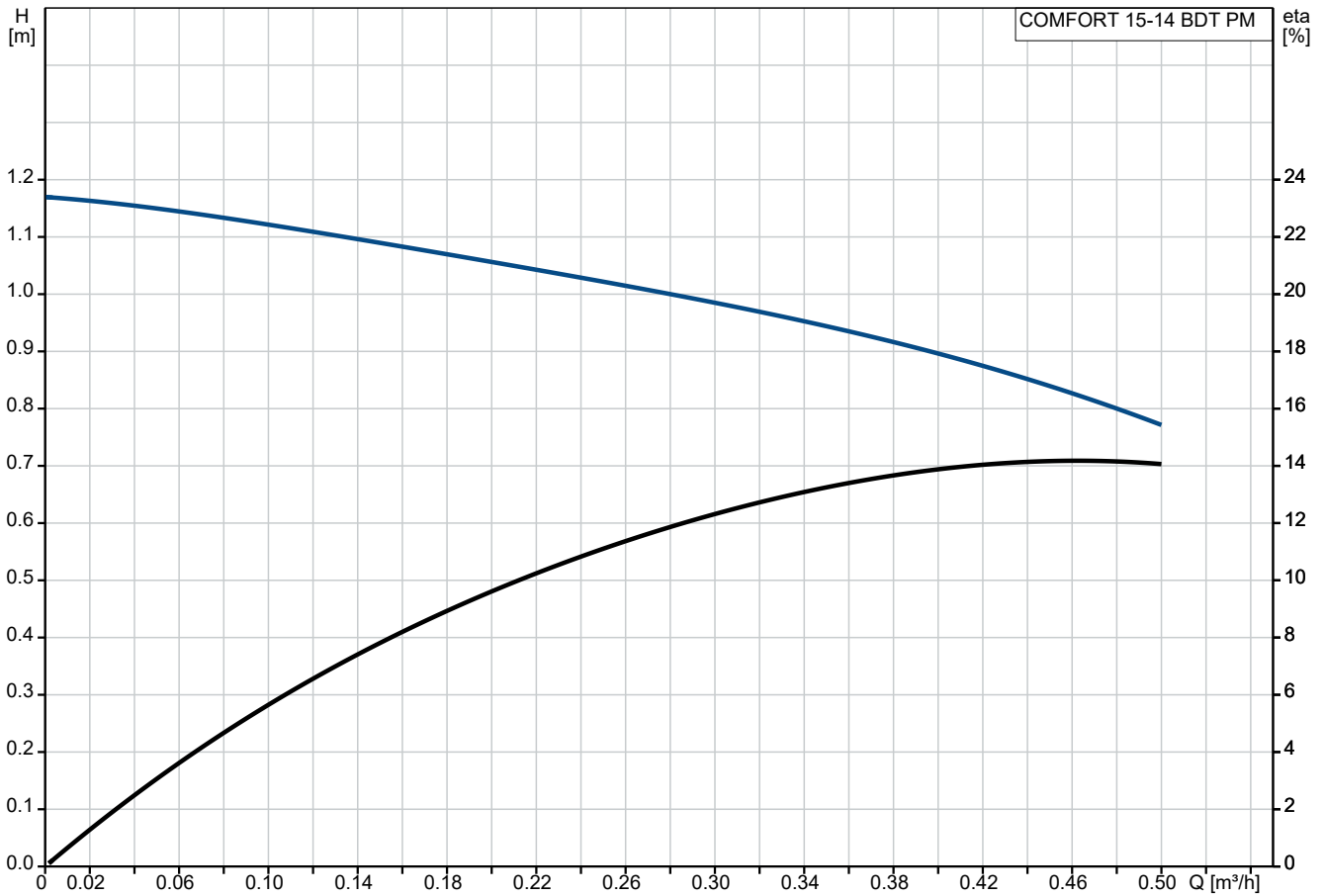
The integrated digital timer has been developed for domestic hot-water recirculation in systems with either hot-water tanks or plate heat exchangers for hot-water production.

The timer allows you to customize the pump's operating periods, ensuring optimal comfort while lowering energy costs.

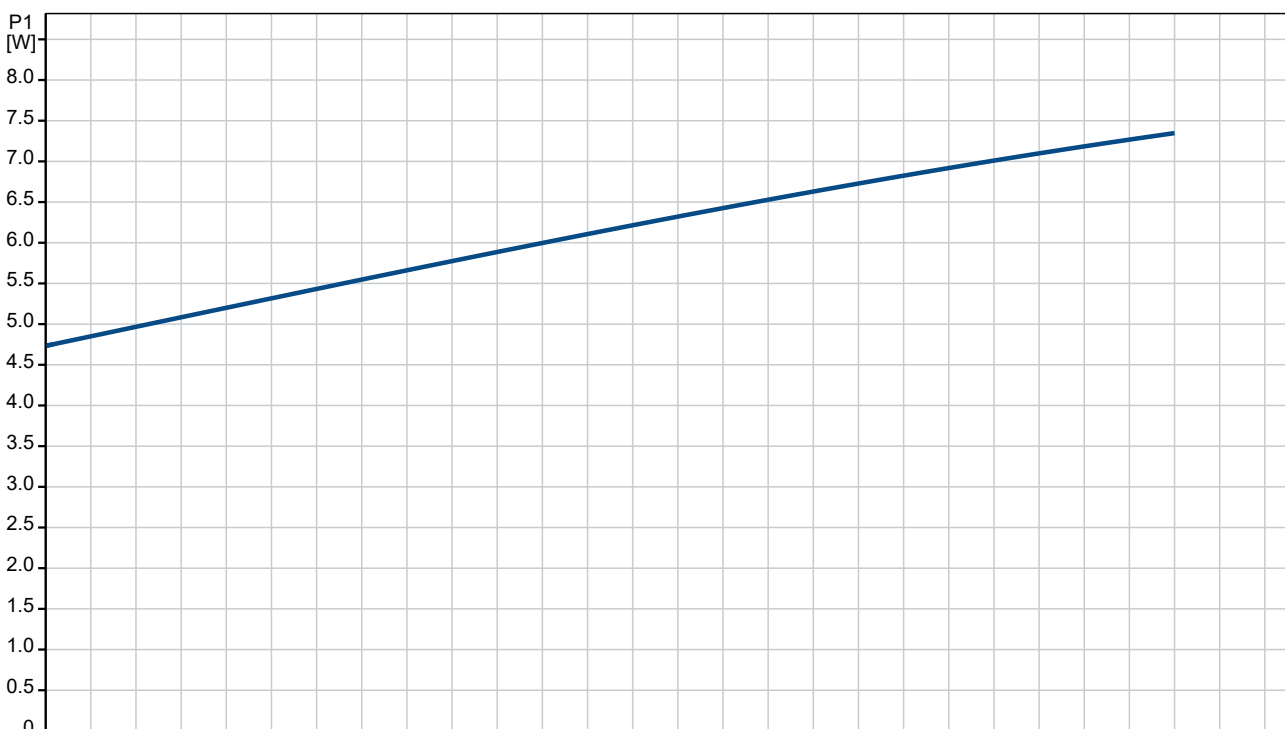
Additionally, the pump can be set to continuous operation 100 % for commissioning of the pump or 24 hours instant hot water.

COMFORT BXDT PM has a built-in isolating valve and a non-return valve (fitting). This ensures that maintenance can be carried out without draining the system. The non-return valve also prevents reversed flow during operation.

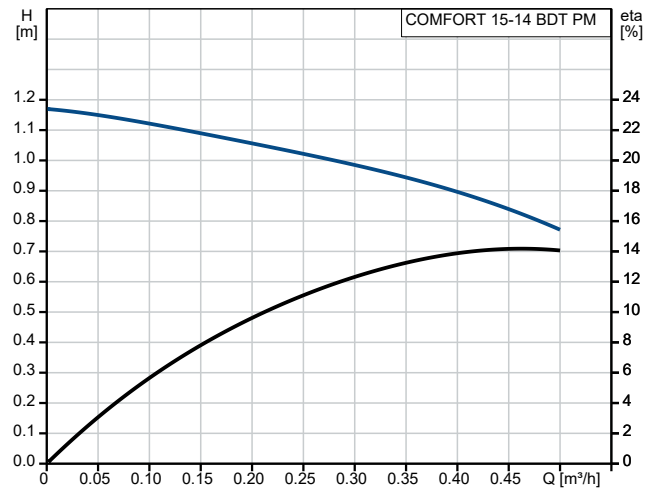
99812350 COMFORT 15-14 BDT PM



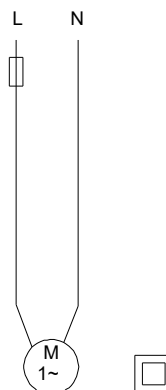
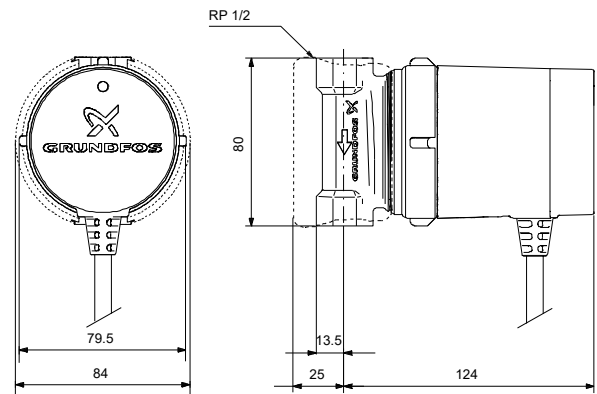
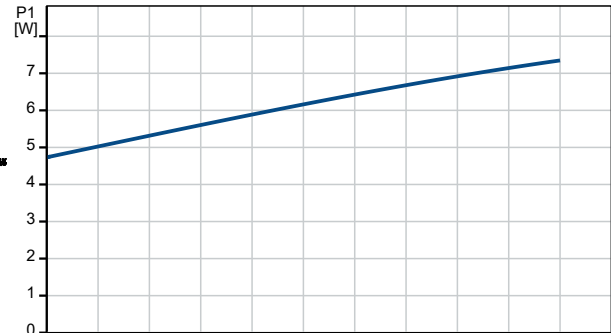
Pumped liquid = Water
 Liquid temperature during operation = 60 °C
 Density = 983.2 kg/m³



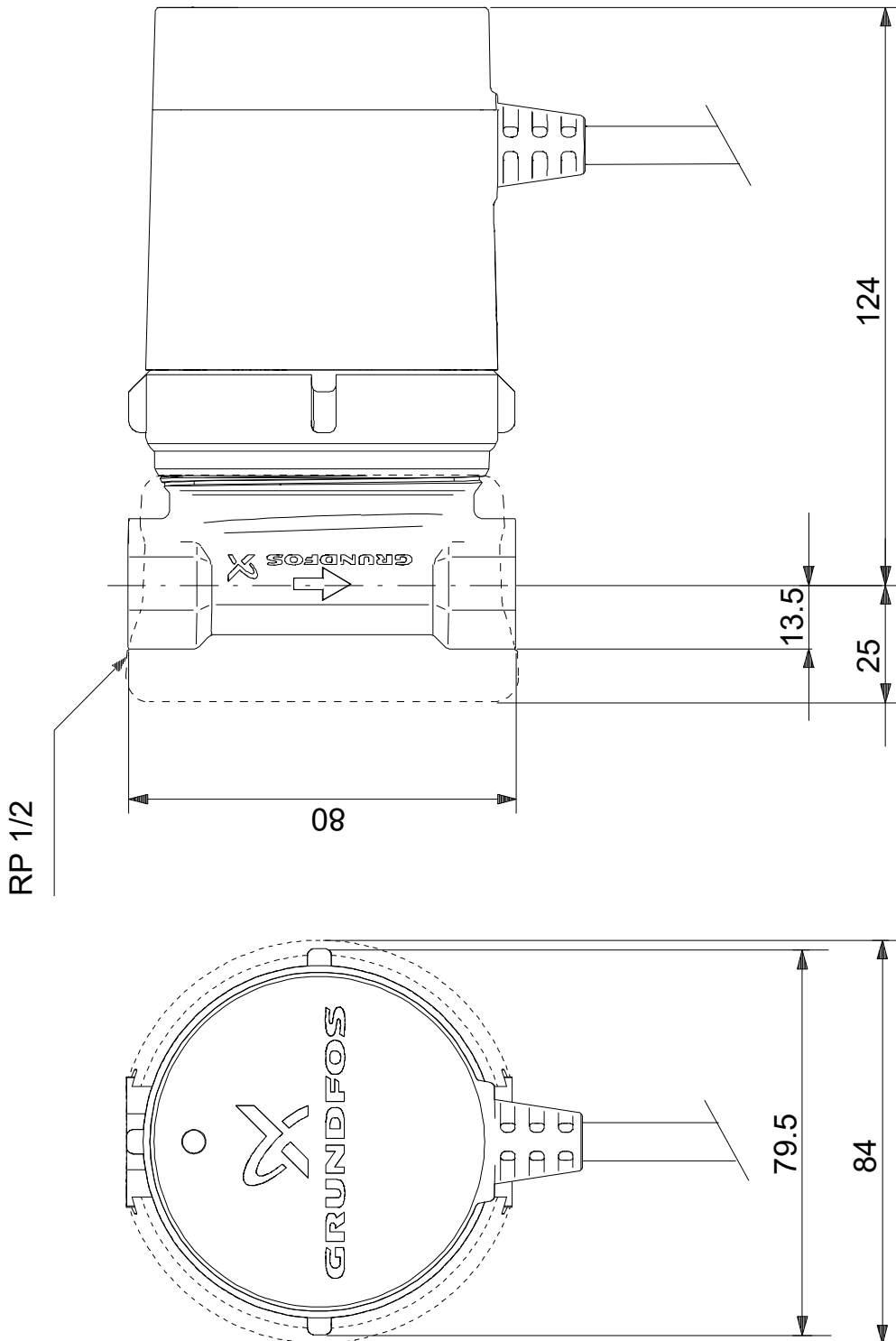
Description	Value
General information:	
Product name:	COMFORT 15-14 BDT PM
Product No:	99812350
EAN number:	5713834634352
Price:	
Technical:	
Speed no:	1
Rated flow:	0.45 m ³ /h
Rated head:	0.9 m
Maximum head:	14 dm
TF class:	95
Approvals:	CE, VDE, EAC, WEEE
Materials:	
Pump housing:	Brass
	CuZn39Pb3, MS58
Impeller:	Composite
	PPO-GF20/Stainless steel
Installation:	
Minimum ambient temperature:	0 °C
Maximum operating pressure:	10 bar
Pipe connection standard:	ISO 228-1
Type of connection:	Rp
Size of connection:	1/2 inch
Pressure rating for connection:	PN 10
Port-to-port length:	80 mm
Liquid:	
Pumped liquid:	Water
Liquid temperature range:	2 .. 95 °C
Selected liquid temperature:	60 °C
Density:	983.2 kg/m ³
Electrical data:	
Max. power input:	7 W
Mains frequency:	50 / 60 Hz
Rated voltage:	1 x 230 V
Current in speed 3:	0.07 A
Enclosure class (IEC 34-5):	IP44
Insulation class (IEC 85):	F
Built-in motor protection:	ELECT.
Thermal protec:	Impedance protected
Controls:	
Operation mode include:	Timer
Others:	
Net weight:	0.94 kg
Gross weight:	1.04 kg
Shipping volume:	0.003 m ³



Pumped liquid = Water
 Liquid temperature during operation = 60 °C
 Density = 983.2 kg/m³



99812350 COMFORT 15-14 BDT PM



Note! All units are in [mm] unless others are stated.
Disclaimer: This simplified dimensional drawing does not show all details.

99812350 COMFORT 15-14 BDT PM



Note! All units are in [mm] unless others are stated.