



## Data sheet

### Hydraulic data

Maximum operating pressure $P_N$	10 bar
Head max $H_{max}$	4.3 m
Flow max $Q_{max}$	2.7 m <sup>3</sup> /h
Minimum suction head at 50 °C $m$	0.5 m
Minimum suction head at 95 °C $m$	3 m
Minimum suction head at 110 °C	10 m
Min. fluid temperature $T_{min}$	-10 °C
Max. fluid temperature $T_{max}$	95 °C
Max. fluid temperature at max. ambient temperature of +25 °C $T_{max}$	95 °C
Max. fluid temperature at max. ambient temperature of +40 °C $T_{max}$	95 °C
Min. ambient temperature $T_{min}$	-10 °C
Max. ambient temperature $T_{max}$	40 °C

### Motor data

Energy efficiency index (EEI)	≤0.20
Mains connection	1~230 V ±10%, 50/60 Hz
Rated power $P_2$	15 W
Min. speed $n_{min}$	700 1/min
Max. speed $n_{max}$	3400 1/min
Power consumption $P_{1 min}$	4 W
Power consumption $P_{1 max}$	20 W
Emitted interference	EN 61000-6-3
Interference resistance	EN 61000-6-2
Electromagnetic compatibility	EN 61800-3
Threaded cable connection	1 x PG11
Insulation class	F
Protection class	IPX4D

### Materials

Pump housing	Grey cast iron
Impeller	PP-GF40
Shaft	Stainless steel
Bearing	Carbon, metal-impregnated

### Installation dimensions

Pipe connection on the discharge side $DNd$	G 1½
Pipe connection on the suction side $DNs$	G 1½
Port-to-port length $L0$	180 mm

### Equipment/function

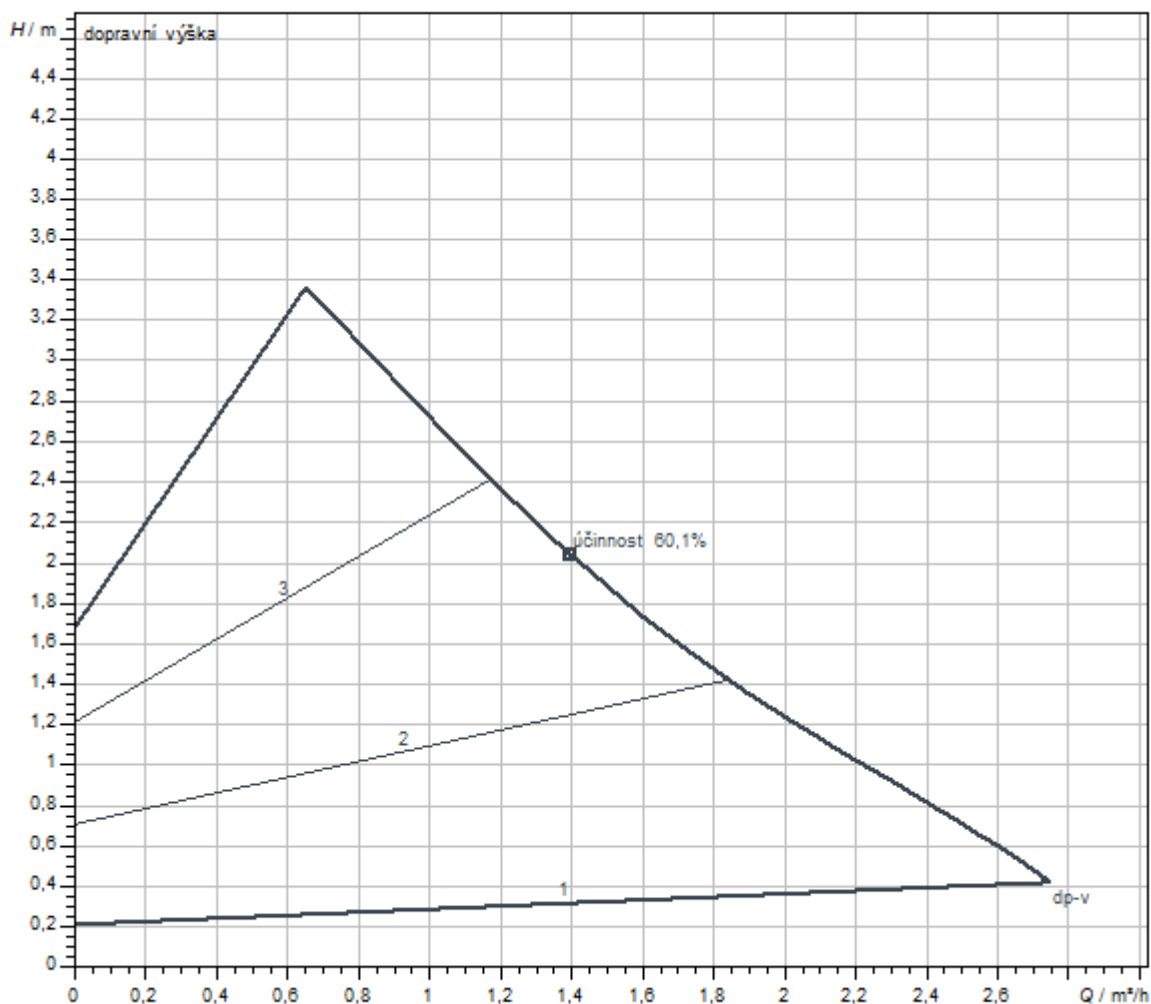
#### Function

Control mode	$\Delta p$ -v for variable differential pressure
	$\Delta p$ -c for constant differential pressure
Display	Setpoint
	Actual power consumption
Pump venting function	Manual

#### Equipment

Approvals and labels	CE
Display	LED segment display
Pump control	Electronic-controlled pump
Quick electrical connection	Wilo Connector
Thermal insulation shell	As accessory
Blocking-current proof motor	yes

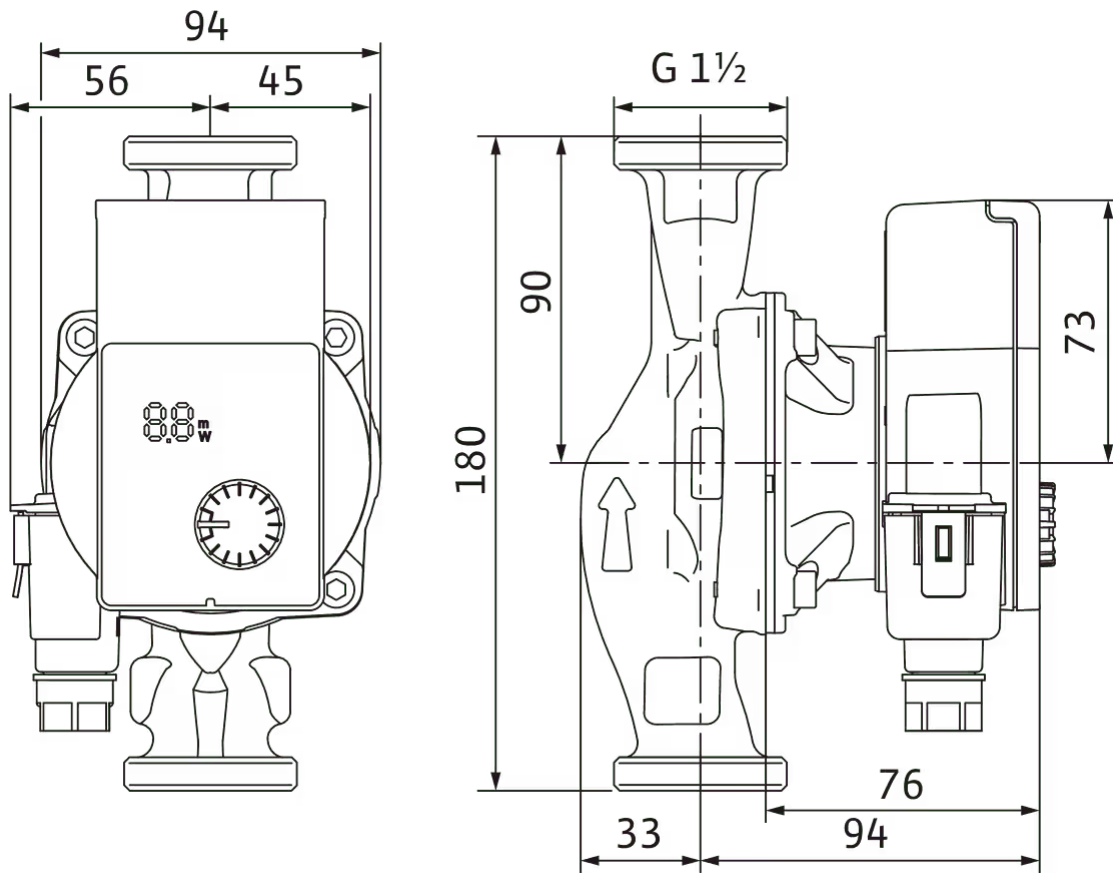
### Pump curves



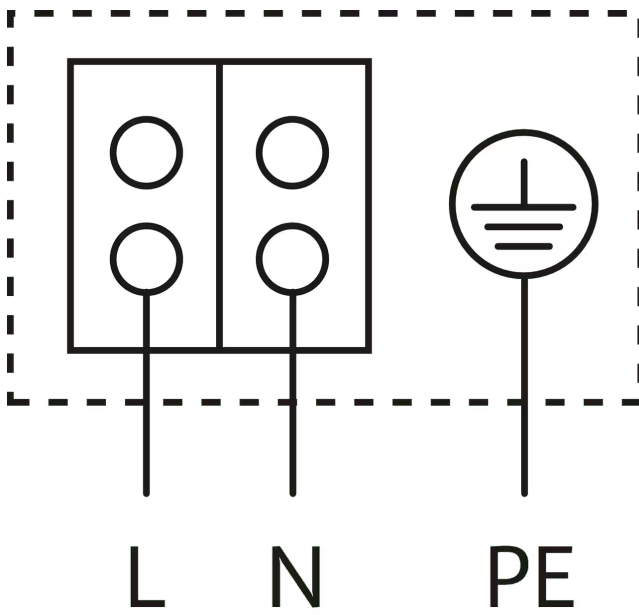
Fluid media	Water 100 %
Fluid temperature $T$	20,00 °C
speed at duty point $n$ hydr. @ OP	2.900 1/min

Dimensions and dimensions drawings

Yonos PICO1.0 25/1-4



Wiring diagram



Blocking current-proof motor

Single-phase motor (EM) 2-pole - 1~230 V, 50 Hz

## Tender text

High-efficiency pump Wilo-Yonos PICO1.0, electronically controlled. Maintenance-free glandless circulator with screwed connection, blocking-current proof EC motor and integrated electronic power control for continuous differential pressure control. Can be used for all heating and air-conditioning applications.

Control mode can be selected in accordance with the radiator/underfloor heating application.

Standard-equipped with:

- > Preselectable control modes for optimum load adjustment:
  - > Constant differential pressure ( $\Delta p$ -c)

- > Variable differential pressure ( $\Delta p$ -v)
- > LED display:
  - > Display of delivery head for setting
  - > Display of the current consumption in watts
  - > Display of fault messages (error codes)
  - > Display of the activated pump venting function
- > Manual pump venting function for venting the rotor chamber
- > Integrated motor protection
- > Automatic deblocking function
- > Quick electrical connection with Wilo-Connector

## Operating Data

Min. fluid temperature $T_{\min}$	-10 °C
Max. fluid temperature $T_{\max}$	95 °C
Min. ambient temperature $T_{\min}$	-10 °C
Max. ambient temperature $T_{\max}$	40 °C
Maximum operating pressure $PN$	10 bar
Minimum suction head at 50 °C $m$	0.5 m
Minimum suction head at 95 °C $m$	3 m
Minimum suction head at 110 °C	10 m

## Motor data

Energy efficiency index (EEI)	≤0.20
Emitted interference	EN 61000-6-3
Interference resistance	EN 61000-6-2
Mains connection	1~230 V, 50/60 Hz
Power consumption $P_{1 \max}$	20 W
Min. speed $n_{\min}$	700 1/min
Max. speed $n_{\max}$	3400 1/min
Protection class motor	IPX4D
Threaded cable connection	1 x PG11


## Materials

Pump housing	Grey cast iron
Impeller	PP-GF40
Shaft	Stainless steel
Bearing	Carbon, metal-impregnated

## Installation dimensions

Pipe connection on the suction side $DN_s$	G 1½
Pipe connection on the discharge side $DN_d$	G 1½
Port-to-port length $L_0$	180 mm

## Ordering information

Brand	Wilo
Product description	Yonos PICO1.0 25/1-4
Net weight, approx. $m$	1.8 kg
Article number	<b>4248082</b> 

## Mechanical accessories

### Pipe installation

#### Screwed connections/adapters

Screwed connection Rp 1 x G 1½, 72 Set	112047298	EUR 699.-
Screwed connection Rp 1 x G 1½, 1 Set	4092741	EUR 14.-
Adapter G 1½/G 2	4105914	EUR 31.-

### Pipe installation, adapter fitting

#### Flanged rings RF

Flanged ring RF 7, PN6	110628790	EUR 32.-
Flanged ring RF 9, PN6	110679395	EUR 66.-
Flanged ring RF 13, PN6	110679498	EUR 73.-
Flanged ring RF 10, PN6	110851499	EUR 56.-

#### Threaded adapter R

Threaded adapter R 2, GG	110626790	EUR 50.-
Threaded adapter R 6, GG	110678493	EUR 47.-
Threaded adapter R 1, GG	110786891	EUR 46.-
Threaded adapter R 7, GG	110787094	EUR 46.-
Threaded adapter R 24, GG	110880596	EUR 44.-

### Thermal insulation

#### Thermal insulation shell

Thermal insulation shell	4206066	EUR 11.-
--------------------------	---------	----------

## Electrical accessories

### Pump control

---

#### Timer switch SK 601N

Switchgear SK 601N	2120443	EUR 331.-
--------------------	---------	-----------

---

### Plug

---

#### Angle plug

Angle plug	4150229	EUR 25.-
------------	---------	----------

---

#### Connector

Wilo-Connector	4200870	EUR 31.-
----------------	---------	----------