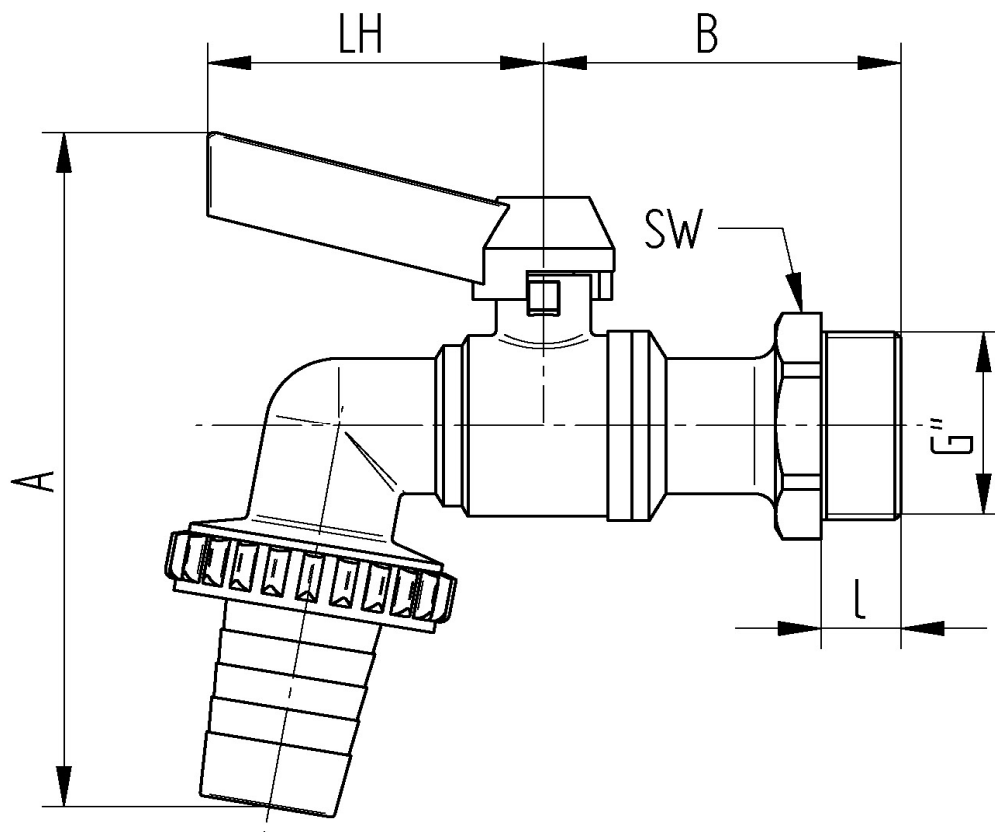
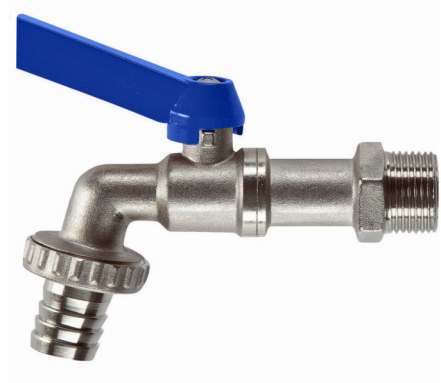


## Stainless steel

### TECHNICAL DATA

temperature range :	-20°C up to max. +150°C
pressure range :	max. PN 16 bar
connecting:	male thread
body material :	hot-pressed brass MS 58, matt chromed
ball :	hot-pressed brass MS 58, hard chromed
ball seals :	PTFE
stem:	hot-pressed brass, nickel plated
stem seals:	EPDM
handle:	aluminium, blue painted



Art. Nr.	G"	DN	A mm	LH mm	B mm	l mm	SW mm	KVS (m³/H)	PN bar	weight (g)
840-04	1/2"	15	95,5	55,5	55,6	12,5	23	2,22	25	226
840-05	3/4"	20	97,5	55,5	62	13	28	2,292	25	295
840-06	1"	25	125	55,5	58,5	13	36	3,2	25	511

## Pressure-temperature-diagram

