

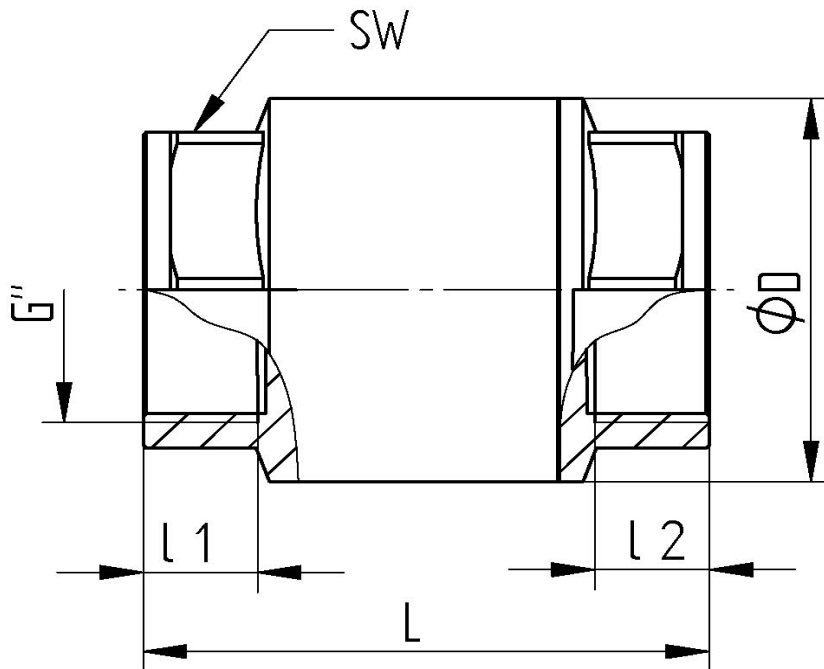
Hot pressed brass

TECHNICAL DATA

temperature range :	-20°C up to max. +150°C
pressure range :	max. PN 25 bar, depended of nominal size and operating temperature
opening pressure:	0.03-0.05bar
body material :	hot-pressed brass CW617N
bolt :	hot-pressed brass MS 58
spring:	Nirosteel
connecting thread :	according to DIN ISO 228/1
sealing:	EPDM



Connecting thread female/female



Art. Nr.	G"	øDN	L mm	l 1 mm	l 2 mm	øD mm	SW mm	PN(bar)	Gewicht (g)
1422-03	3/8"	15	54	12	16	34,5	21	25	170
1422-04	1/2"	16.4	57	13	14	34,5	25	25	180
1422-05	3/4"	22	60	14,5	14,5	42	31	25	260
1422-06	1"	25	73	17,5	17,5	48	40	25	425
1422-07	1 1/4"	32	83	17	18,5	60,5	50	16	650
1422-08	1 1/2"	39.5	93	19	19	70,8	55	16	875
1422-09	2"	50	100	21	21	87	67	16	1320
1422-10	2 1/2"	67	120	23	23	118.5	88	10	2645
1422-11	3"	79	138,5	29	29	140	100	10	4200
1422-12	4"	100	158	30	30	154	126	10	6275