



## Data sheet

### Hydraulic data

Maximum operating pressure $P_N$	10 bar
Head max $H_{max}$	4.1 m
Flow max $Q_{max}$	3.0 m <sup>3</sup> /h
Min. fluid temperature $T_{min}$	-10 °C
Max. fluid temperature $T_{max}$	95 °C
Min. ambient temperature $T_{min}$	-10 °C
Max. ambient temperature $T_{max}$	40 °C

### Motor data

Energy efficiency index (EEI)	≤0.20
Mains connection	1~230 V ±10%, 50/60 Hz
Rated power $P_2$	15 W
Min. speed $n_{min}$	700 1/min
Max. speed $n_{max}$	3400 1/min
Power consumption $P_{1 min}$	4 W
Power consumption $P_{1 max}$	20 W
Emitted interference	EN 61000-6-3
Interference resistance	EN 61000-6-2
Electromagnetic compatibility	EN 61800-3
Threaded cable connection	1 x PG11
Insulation class	F
Protection class	IPX2D

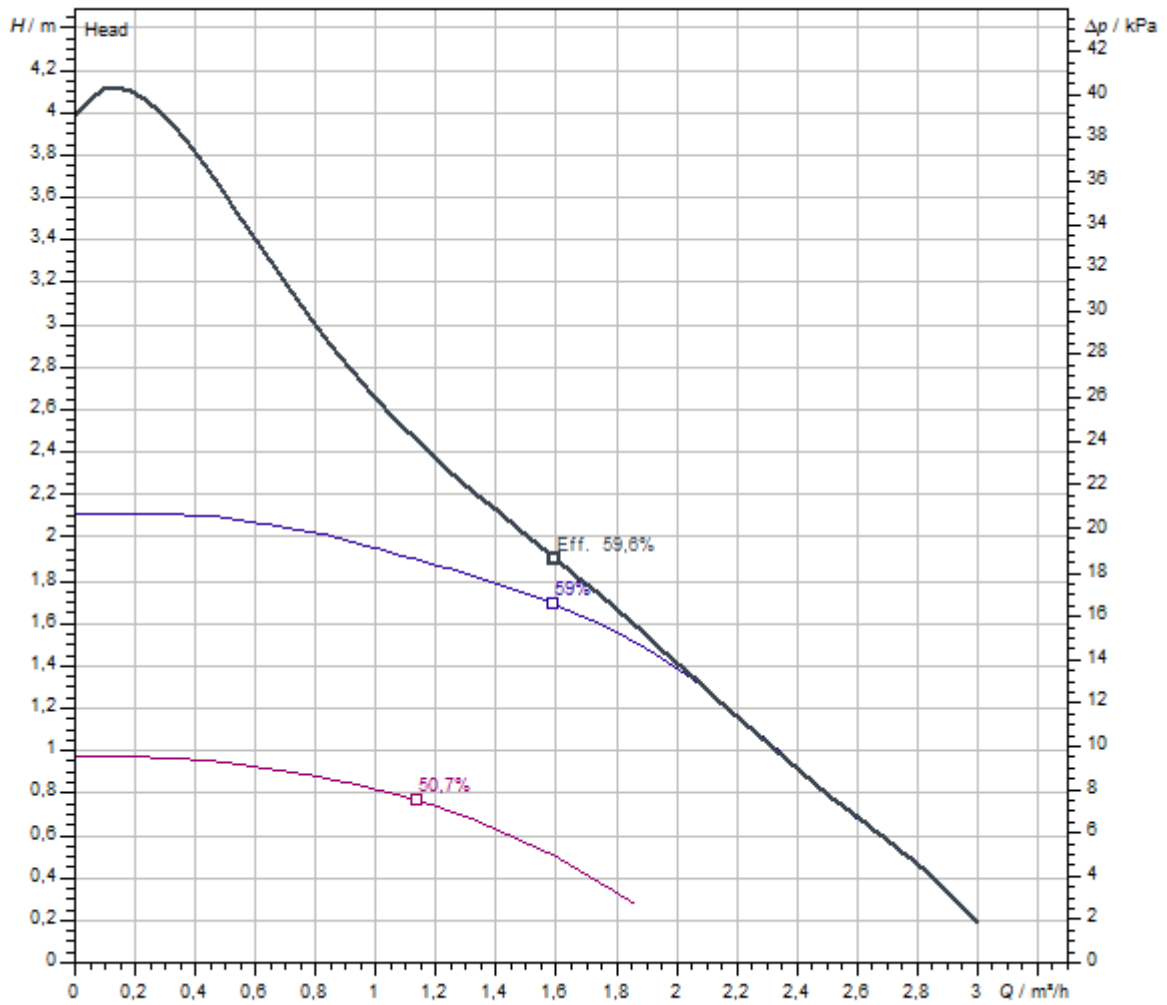
### Materials

Pump housing	Grey cast iron
Impeller	PP-GF40
Shaft	Stainless steel
Bearing	Carbon, metal-impregnated

### Installation dimensions

Pipe connection on the discharge side $DN_d$	G 1½
Pipe connection on the suction side $DN_s$	G 1½
Port-to-port length $L_0$	180 mm

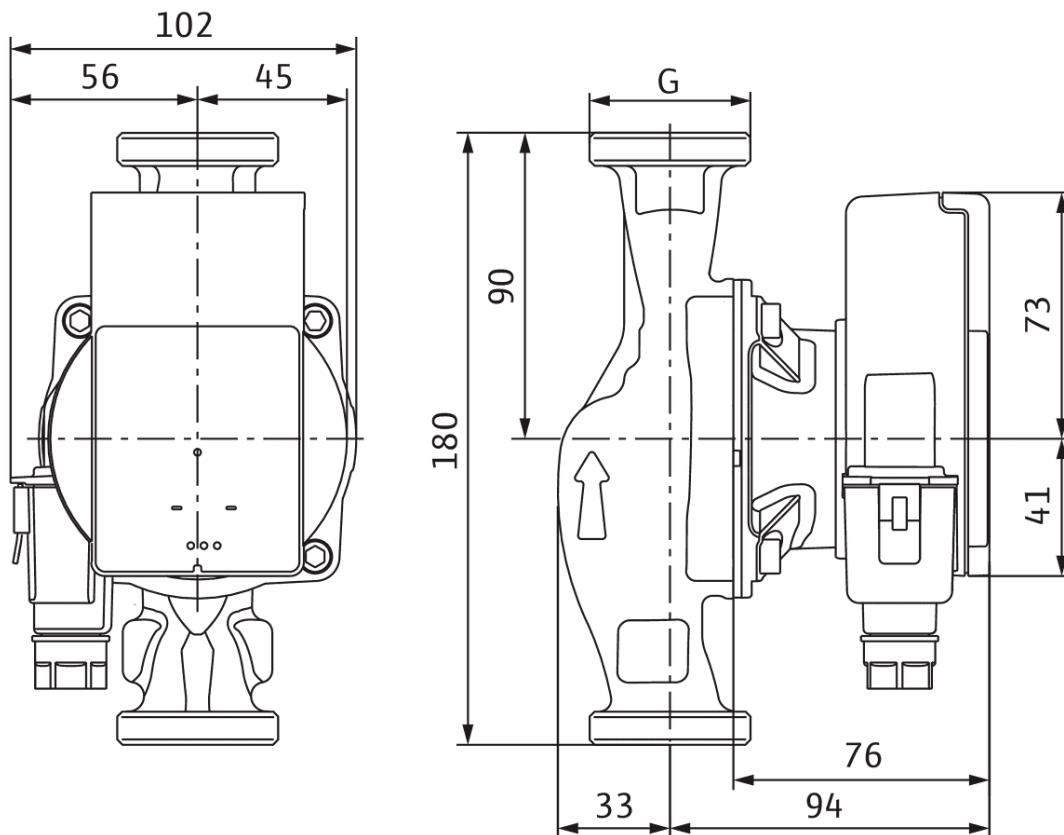
Pump curves



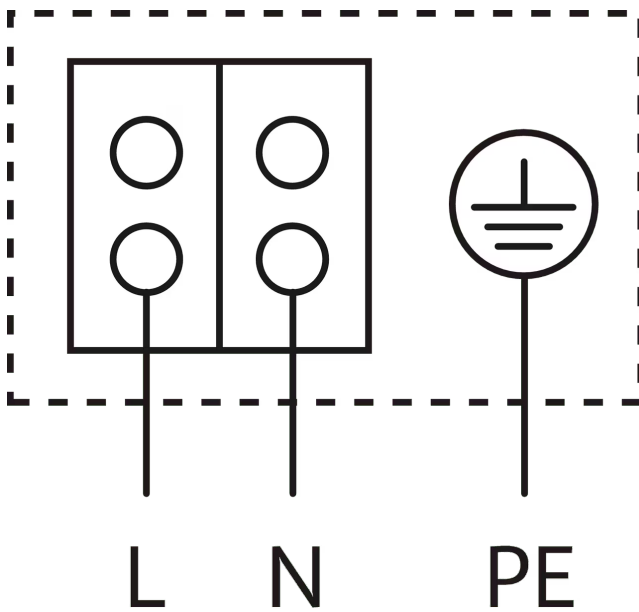
Fluid media	Water 100 %
Fluid temperature <i>T</i>	20,00 °C
speed at duty point <i>n hydr. @ OP</i>	2.900 1/min

Dimensions and dimensions drawings

Atmos PICO 25/1-4



## Wiring diagram




Blocking current-proof motor

Single-phase motor (EM) 2-pole - 1~230 V, 50 Hz

## Ordering information

### Product data

Brand	Wilo
Product description	Atmos PICO 25/1-4
Article number	<b>4232691</b> 
EAN number	4048482932712
Colour	Green
Minimum order quantity	1
Date of sales availability	2019-09-01

### Packaging

Packaging type	Cardboard box
Packaging property	Sales packaging
Pieces per pallet	198
Number per layer	24

### Dimension, weight

Length with packaging	194 mm
Length <i>L</i>	180 mm
Height with packaging	105 mm
Height <i>H</i>	102 mm
Width with packaging	174 mm
Width <i>W</i>	127 mm
Gross weight, approx. <i>m</i>	2 kg
Net weight, approx. <i>m</i>	1.8 kg

## Tender text

High-efficiency pump Wilo-Atmos PICO, electronically controlled. Maintenance-free glandless circulator with screwed connection, blocking-current proof synchronous motor according to ECM technology and built-in electronic power control for variable differential pressure control. Can be used for all heating and air-conditioning applications.

Standard-equipped with:

- Preselectable control modes for optimum load adjustment:
  - Variable differential pressure ( $\Delta p-v$ ), with 3 pre-defined characteristic curves,
  - Constant speed (3 constant speed stages)
- LED display of selected control mode
- LED display of selected characteristic curve in the control mode
- Signal display
  - LED is lit up in green in normal operation
  - LED lights up/flashes in case of a fault
- Minimal consumption only 4 W
- Integrated motor protection
- Automatic deblocking function
- High starting torque

Pump housing made of grey cast iron, impeller made of polypropylene, stainless steel shaft with metal-impregnated carbon friction bearings.

## Operating Data

Min. fluid temperature $T_{\min}$	-10 °C
Max. fluid temperature $T_{\max}$	95 °C
Min. ambient temperature $T_{\min}$	-10 °C
Max. ambient temperature $T_{\max}$	40 °C
Maximum operating pressure $PN$	10 bar

## Motor data

Energy efficiency index (EEI)	$\leq 0.20$
Mains connection	1~230 V $\pm 10\%$ , 50/60 Hz
Rated power $P_2$	15 W
Min. speed $n_{\min}$	700 1/min
Max. speed $n_{\max}$	3400 1/min
Power consumption $P_{1 \min}$	4 W
Power consumption $P_{1 \max}$	20 W
Emitted interference	EN 61000-6-3
Interference resistance	EN 61000-6-2
Electromagnetic compatibility	EN 61800-3
Insulation class	F
Protection class	IPX2D
Threaded cable connection	1 x PG11

## Materials

Pump housing	Grey cast iron
Impeller	PP-GF40
Shaft	Stainless steel
Bearing	Carbon, metal-impregnated

**Installation dimensions**

Pipe connection on the suction side <i>DN<sub>s</sub></i>	G 1½
Pipe connection on the discharge side <i>DN<sub>d</sub></i>	G 1½
Port-to-port length <i>L<sub>0</sub></i>	180 mm

**Ordering information**

Brand	Wilo
Product description	Atmos PICO 25/1-4
Net weight, approx. <i>m</i>	1.8 kg
Article number	<b>4232691</b> 