



Similar to figure

Data sheet

Hydraulic data

Maximum operating pressure P_N	10 bar
Delivery head for Q_{min} $H_{Q_{min}}$	6.0 m
Max. volume flow Q_{max}	16.2 m ³ /h
Min. fluid temperature for HVAC applications T_{min}	0 °C
Max. fluid temperature for HVAC applications T_{max}	80 °C
Min. fluid temperature for drinking water applications T_{min}	0
Max. fluid temperature for drinking water applications T_{max}	80
Max. fluid temperature for drinking water applications in short-time duty (2 hours) T_{max}	110 °C
Min. ambient temperature T_{min}	0 °C
Max. ambient temperature T_{max}	40 °C
Max. permitted total water hardness	3.57 mmol/l (20°dH) (3.21 mmol/l (18°dH) for 20/4 + 25/6)

Motor data

Mains connection	1~230 V, 50 Hz
Rated power P_2	180 W
Rated current I_N	1.62 A
Max. speed n_{max}	2700 1/min
Power consumption $P_{1 min}$	175 W
Power consumption $P_{1 max}$	340 W
Emitted interference	EN 61000-6-3
Interference resistance	EN 61000-6-2
Protection class motor	IPX4D
Insulation class	H
Threaded cable connection	2 x PG13.5
Motor protection	External protection WSK

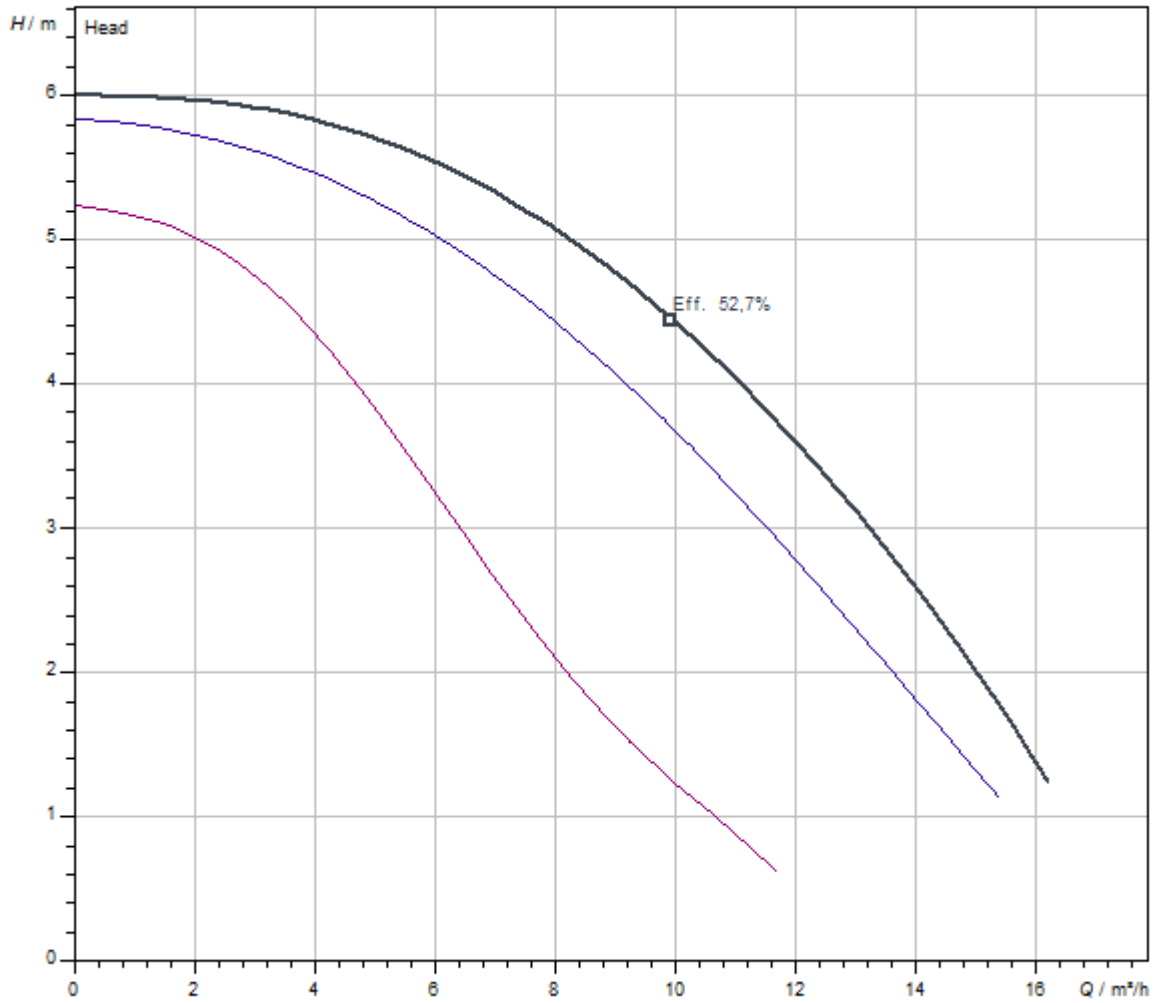
Materials

Pump housing	Grey cast iron
Impeller	PPE-GF30
Shaft	Stainless steel
Bearing	Carbon, synthetic resin-impregnated

Installation dimensions

Pipe connection on the suction side DN_s	DN 40
Pipe connection on the discharge side DN_d	DN 40
Port-to-port length L_0	250 mm

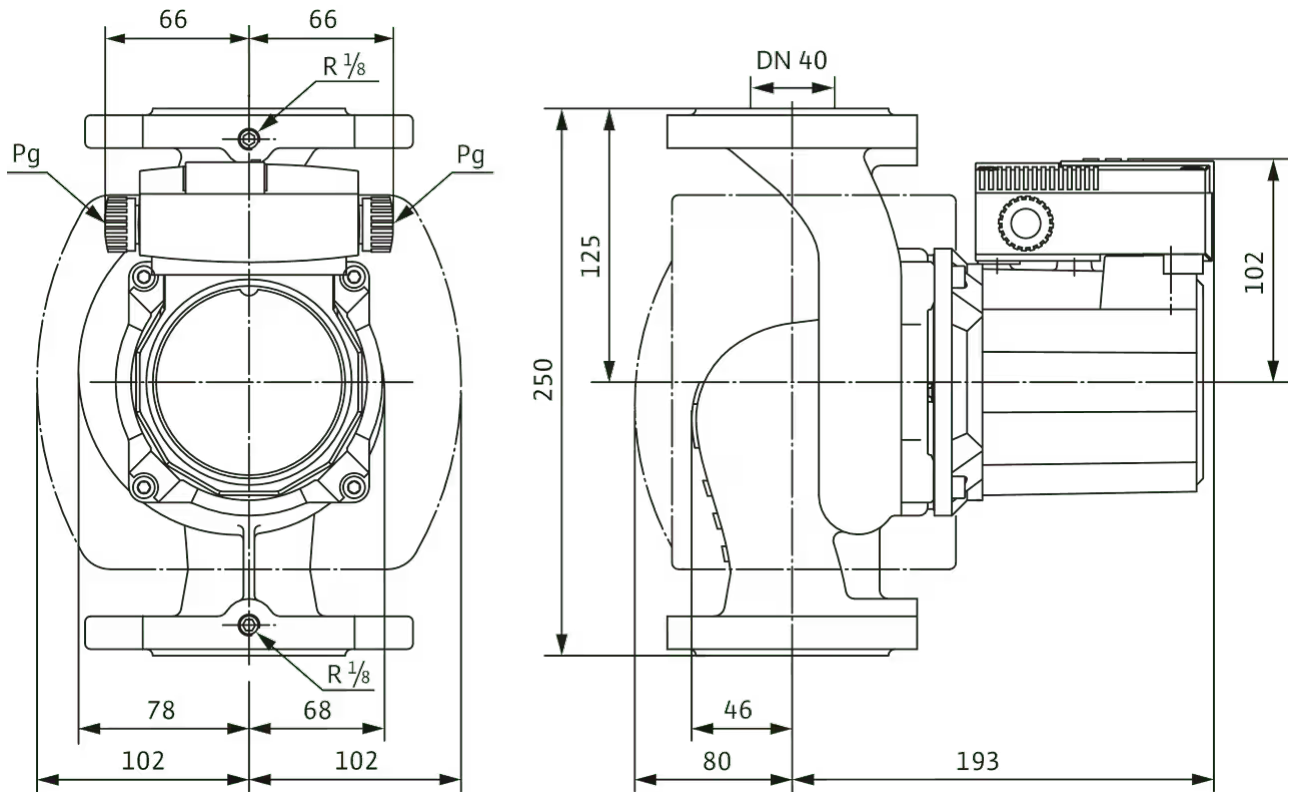
Pump curves



Fluid media	Water 100 %
Fluid temperature <i>T</i>	20,00 °C
speed at duty point <i>n hydr. @ OP</i>	2.600 1/min

Dimensions and dimensions drawings

TOP-S



Tender text

This circulator is suitable only for drinking water.

Can be used for domestic hot water circulation systems in the industry and building services.

Glandless circulator with screwed or flange connection, preselectable speed stages for power adjustment.

Equipment and function

- > Manual power adjustment with 3 speed stages
- > Pumps with 1~ motor:
 - > P2 up to 90 W: internal protection against unacceptably high winding temperatures
 - > P2 = 180 W: Full motor protection with thermal winding contacts in conjunction with tripping unit
- > Pumps with 3~ motor:
 - > P2 up to 90 W: internal protection against unacceptably high winding temperatures
 - > P2 ≥ 180 W: Full motor protection with integrated trip electronics
- > Fault signal light
- > Contact for collective fault signal
- > Direction of rotation signal lamp
- > Mains connection 3~, 230 V with optional switching plug
- > Pump housing in red brass or grey cast iron (stainless steel depending on type)
- > PN 6/PN 10 combination flange (for DN 40 to DN 65)
- > Thermal insulation shells
- > Additional functions by retrofittable Protect Module C:
 - > SSM fault signal as potential-free NC contact
 - > SBM run signal as potential-free NO contact
 - > "Overriding Off" control input via external potential-free contact (NC contact)
 - > Blocking detection
 - > Full motor protection with tripping unit
 - > Fault acknowledgement
- > Dual pump management (two single pumps installed in parallel): Main/standby operation (automatic fault-actuated switchover/time-dependent pump cycling)

Operating Data

Max. fluid temperature T_{\max}	80 °C
Min. fluid temperature T_{\min}	0 °C
Min. ambient temperature T_{\min}	0 °C
Max. ambient temperature T_{\max}	40 °C
Temperature range at max. ambient temperature +40 °C T	-20...+110
Maximum operating pressure PN	10 bar

Operating Data

Max. permitted total water hardness	3.57 mmol/l (20°dH) (3.21 mmol/l (18°dH) for 20/4 + 25/6)
-------------------------------------	---

Motor data

Emitted interference	EN 61000-6-3
Interference resistance	EN 61000-6-2
Mains connection	1~230 V, 50 Hz
Power consumption $P_{1 \max}$	340 W
Max. speed n_{\max}	2700 1/min
Rated current I_N	1.62 A
Protection class motor	IPX4D
Threaded cable connection	2 x PG13.5

Materials

Pump housing	Grey cast iron
Impeller	PPE-GF30
Shaft	Stainless steel
Bearing	Carbon, synthetic resin-impregnated

Installation dimensions

Pipe connection on the suction side DN_s	DN 40
Pipe connection on the discharge side DN_d	DN 40
Port-to-port length L_0	250 mm

Ordering information

Brand	Wilo
Product description	TOP-Z 40/7 (1~230 V, PN 6/10, GG)
Net weight, approx. m	11.5 kg
Article number	2046631 