



Data sheet

Hydraulic data

Maximum operating pressure P_N	10 bar
Delivery head for Q_{min} $H_{Q_{min}}$	1.0 m
Max. volume flow Q_{max}	0.4 m ³ /h
Min. fluid temperature T_{min}	2 °C
Max. fluid temperature T_{max}	95 °C
Min. ambient temperature T_{min}	2 °C
Max. ambient temperature T_{max}	40 °C
Max. permitted total water hardness	3.57 mmol/l (20°dH)

Motor data

Mains connection	1~230 V, 50 Hz
Rated power P_2	6 W
Rated current I_N	0.05 A
Max. speed n_{max}	3000 1/min
Power consumption $P_{1 min}$	5 W
Power consumption $P_{1 max}$	7 W
Emitted interference	EN 61000-6-3
Interference resistance	EN 61000-6-2
Protection class motor	IP42
Insulation class	F
Threaded cable connection	1 x PG11
Motor protection	no

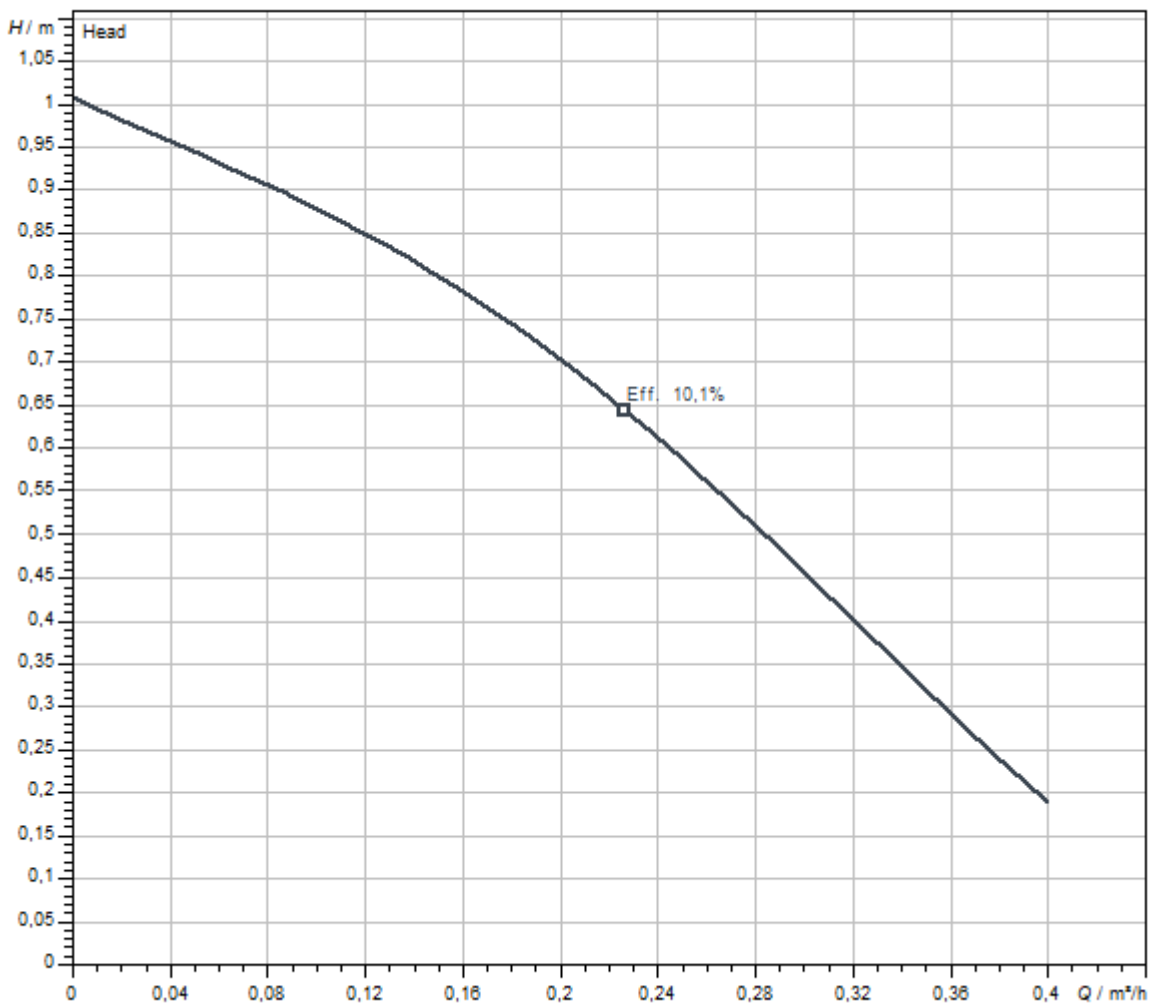
Materials

Pump housing	Brass, CW617N
Impeller	PPE/PS-GF30
Shaft	Ceramic
Bearing	Carbon, synthetic resin-impregnated

Installation dimensions

Thread	G 1
Pipe connection on the suction side DNs	G 1
Pipe connection on the discharge side DNd	G 1
Port-to-port length $L0$	138 mm

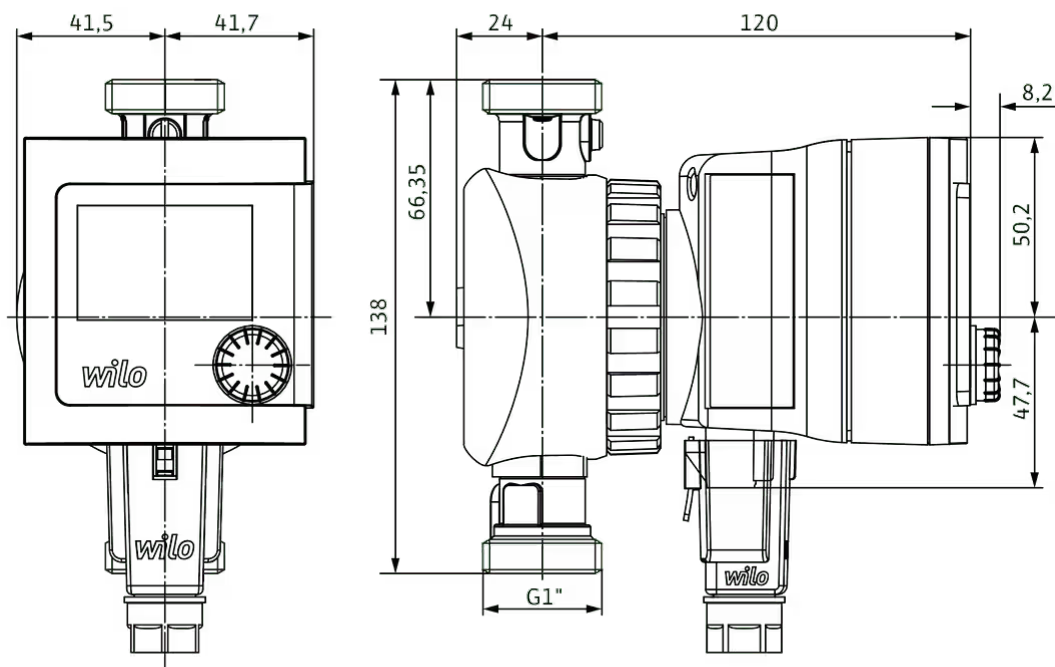
Pump curves



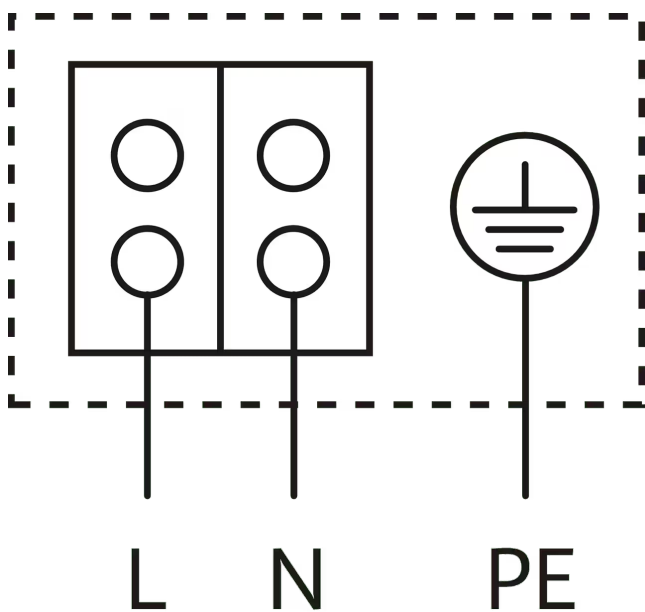
Fluid media	Water 100 %
Fluid temperature <i>T</i>	20,00 °C
speed at duty point <i>n hydr. @ OP</i>	2.900 1/min

Dimensions and dimensions drawings

Wilo-Star-Z NOVA



Wiring diagram



Blocking current-proof motor

Single-phase motor (EM) 2-pole - 1~230 V, 50 Hz

Tender text

This circulator is suitable only for drinking water.

Domestic hot water-circulator Wilo-Star-Z NOVA T (glandless pump-version) for single-family houses.

Pump for pipe installation, blocking-current proof synchronous motor with high starting torque.

Brass pump housing, Noryl impeller, ceramic shaft.

Power consumption 6 W.

Equipped with thermal insulation shell as standard, housing thread Rp ½.

Pump complete with ball shut-off and non-return valves with G1 thread, built-in time switch, temperature control and a routine for detecting and supporting thermal legionellae switching on the boiler side.

Operating Data

Max. fluid temperature T_{max}	95 °C
Min. fluid temperature T_{min}	2 °C
Min. ambient temperature T_{min}	2 °C
Max. ambient temperature T_{max}	40 °C
Temperature range at max. ambient temperature +40 °C T	+2...+65
Maximum operating pressure PN	10 bar
Max. permitted total water hardness	3.57 mmol/l (20°dH)

Motor data

Emitted interference	EN 61000-6-3
Interference resistance	EN 61000-6-2
Mains connection	1~230 V, 50 Hz
Power consumption $P_{1 max}$	7 W
Max. speed n_{max}	3000 1/min
Rated current I_N	0.05 A
Protection class motor	IP42
Threaded cable connection	1 x PG11


Materials

Pump housing	Brass, CW617N
Impeller	PPE/PS-GF30
Shaft	Ceramic
Bearing	Carbon, synthetic resin-impregnated

Installation dimensions

Pipe connection on the suction side DN_s	G 1
Pipe connection on the discharge side DN_d	G 1
Port-to-port length L_0	138 mm

Ordering information

Brand	Wilo
Product description	Star-Z NOVA T
Net weight, approx. m	1.2 kg
Article number	4222650 

Mechanical accessories

Pipe installation

Screwed connections/adapters

Screwed connection R ½ / Ø 15 i x G 1, 96 Set	112047493	EUR 1,239.-
Screwed connection R ½ / Ø 15 i x G 1, 1 Set	4092743	EUR 17.-

Electrical accessories

Pump control

Timer switch SK 601N

Switchgear SK 601N	2120443	EUR 331.-
--------------------	---------	-----------

Plug

Angle plug

Angle plug	4150229	EUR 25.-
------------	---------	----------

Connector

Wilo-Connector	4200870	EUR 31.-
----------------	---------	----------

Maintenance/replacement

Rmot Star-Z NOVA

Service motor Star-Z NOVA	4132763	EUR 121.-
---------------------------	---------	-----------