

Qty.	Description
------	-------------

1	MAGNA1 32-120
---	---------------



Note! Product picture may differ from actual product

Product No.: [99221281](#)

The Grundfos MAGNA1 circulator pump is the simple option for a job well done.

With its high energy efficiency the product lives up to the EuP 2015 regulations ensuring substantial savings on electricity, and with its intuitive, user-friendly interface and maintenance-free design, MAGNA1 is the ideal circulator pump for basic performance needs in applications where basic system control and monitoring are desired.

With this range of circulator pumps, everything from setup to basic control and monitoring are made easy. The pump is maintenance-free due to the canned-rotor type design.

MAGNA1 offers the possibility of monitoring the pump via the fault relay output. The digital start/stop input remotely controls the pump.

The pump communicates wirelessly with the Grundfos GO Remote app.

MAGNA1 can work as main pump in both heating and cooling applications, including:

- Mixing loops
- Heating surfaces
- Air-conditioning surfaces
- Ground-source heat pump systems
- Smaller chiller applications.

MAGNA1 is a single-phase pump and characterised by having the controller and operating panel integrated in the control box.

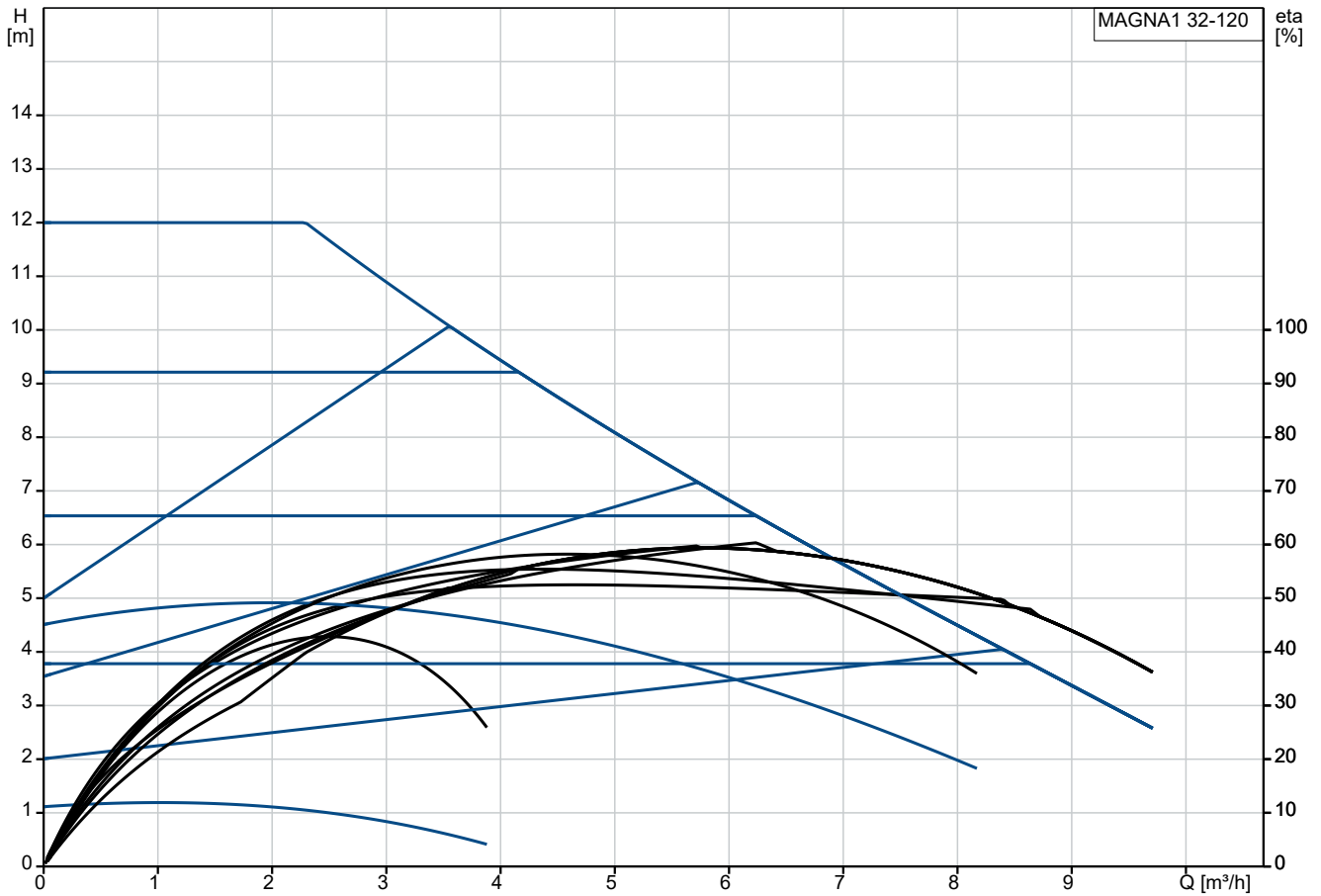
The pump housing is available in both cast-iron and stainless-steel versions.

The composite rotor can is carbon-fibre reinforced, the bearing plate and rotor cladding are made of stainless steel and the stator housing is made of aluminium.

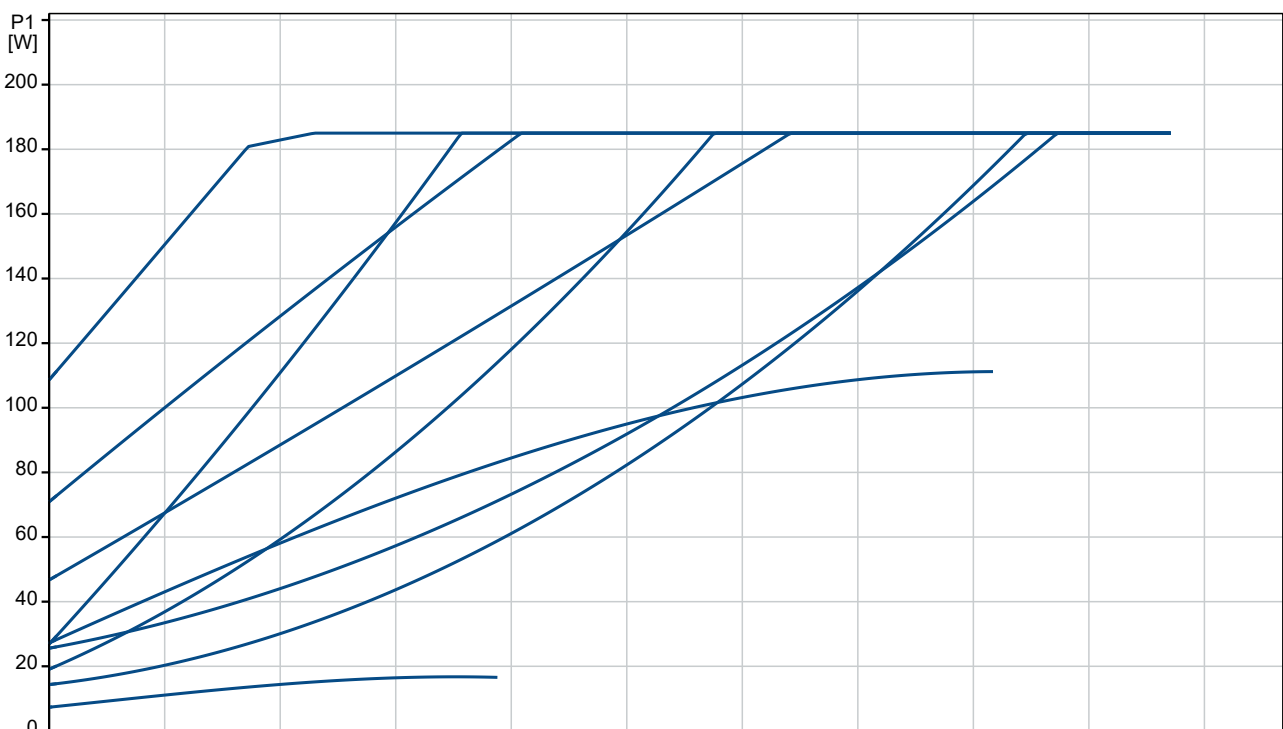
The power electronics are air-cooled.

The pump incorporates a 4-pole synchronous, permanent-magnet motor (PM motor). This motor type is characterised by higher efficiency than a conventional asynchronous squirrel-cage motor. The pump speed is controlled by an integrated frequency converter.

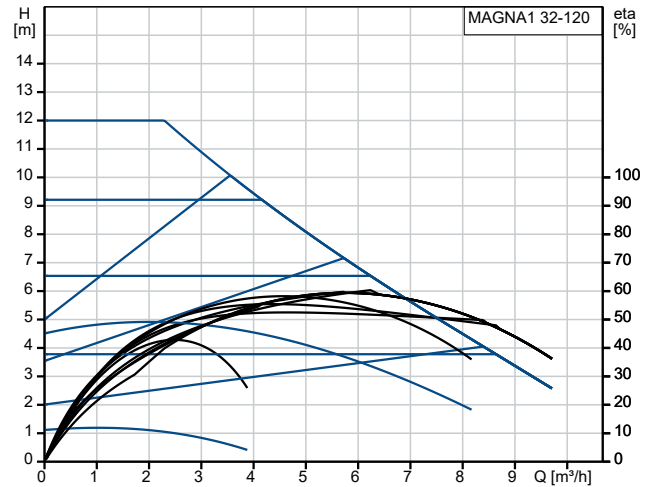
99221281 MAGNA1 32-120



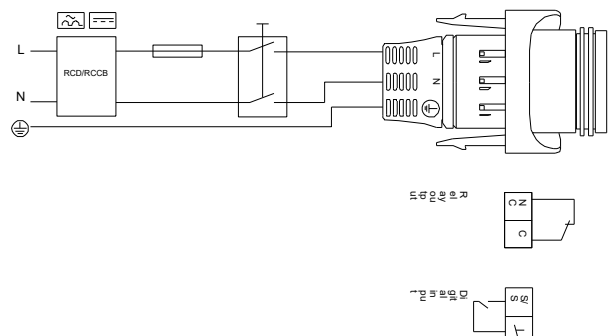
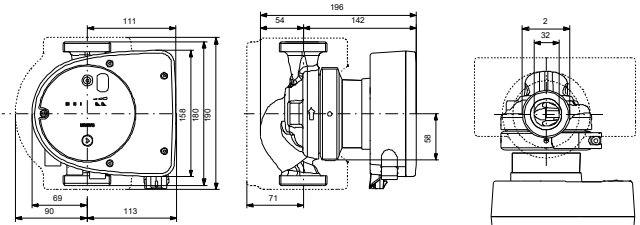
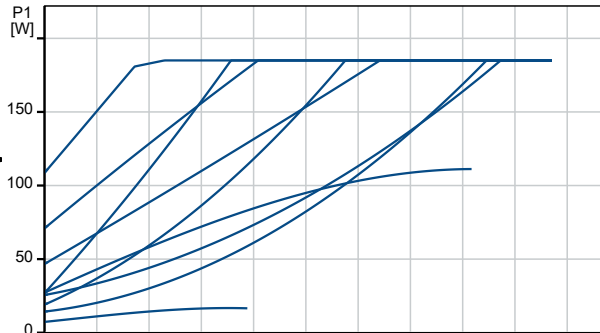
Pumped liquid = Water
 Liquid temperature during operation = 60 °C
 Density = 983.2 kg/m³



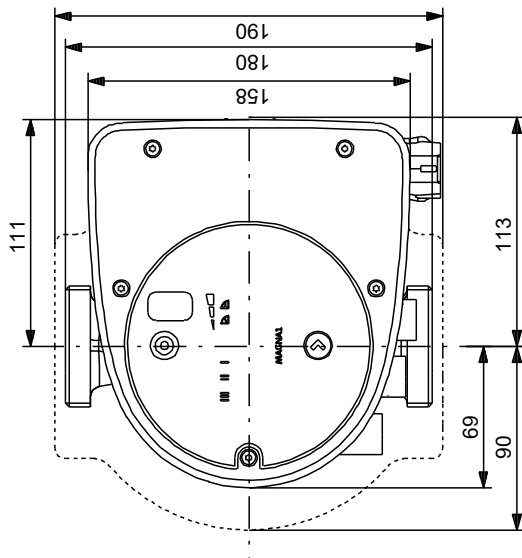
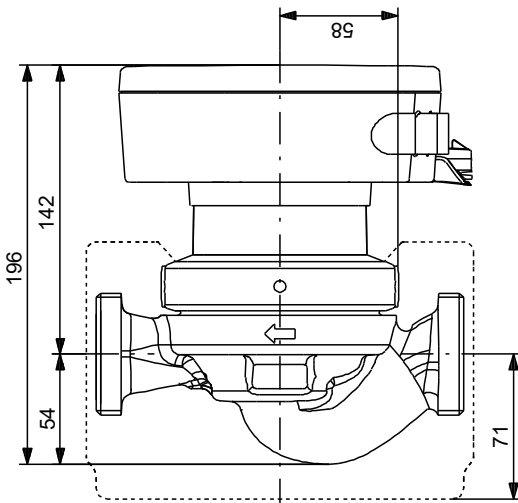
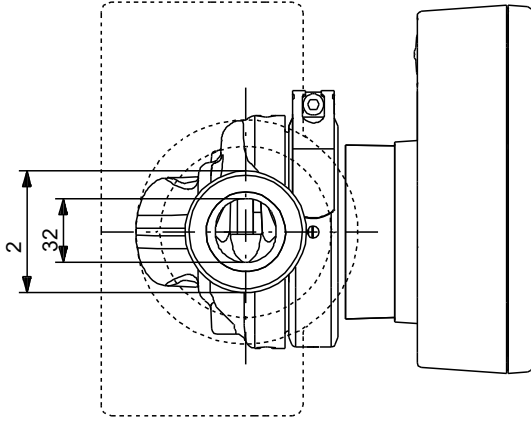
Description	Value
General information:	
Product name:	MAGNA1 32-120
Product No:	99221281
EAN number:	5712608942549
Technical:	
Maximum head:	120 dm
TF class:	110
Approvals:	CE,VDE,EAC,MOROCCO,UKCA,TSE,RCM,UkrSEPRO
Model:	C
Materials:	
Pump housing:	Cast iron
Pump housing:	EN 1561 EN-GJL-200
Pump housing:	ASTM A48-200B
Impeller:	Composite
Installation:	
Range of ambient temperature:	0 .. 40 °C
Maximum operating pressure:	10 bar
Type of connection:	G
Size of connection:	2 inch
Pressure rating for connection:	PN 10
Port-to-port length:	180 mm
Liquid:	
Pumped liquid:	Water
Liquid temperature range:	-10 .. 110 °C
Selected liquid temperature:	60 °C
Density:	983.2 kg/m ³
Electrical data:	
Maximum power input - P1:	188 W
P1 min.:	8 W
Mains frequency:	50 / 60 Hz
Rated voltage:	1 x 230 V
Minimum current consumption:	0.08 A
Maximum current consumption:	1.51 A
Enclosure class (IEC 34-5):	X4D
Insulation class (IEC 85):	F
Others:	
Energy (EEL):	0.20
Net weight:	4.63 kg
Gross weight:	5.33 kg
Shipping volume:	0.013 m ³
Finnish LVI No.:	4615316
Country of origin:	DE
Custom tariff no.:	84137030
Environmental approvals:	CN ROHS,WEEE



Pumped liquid = Water
Liquid temperature during operation = 60 °C
Density = 983.2 kg/m³

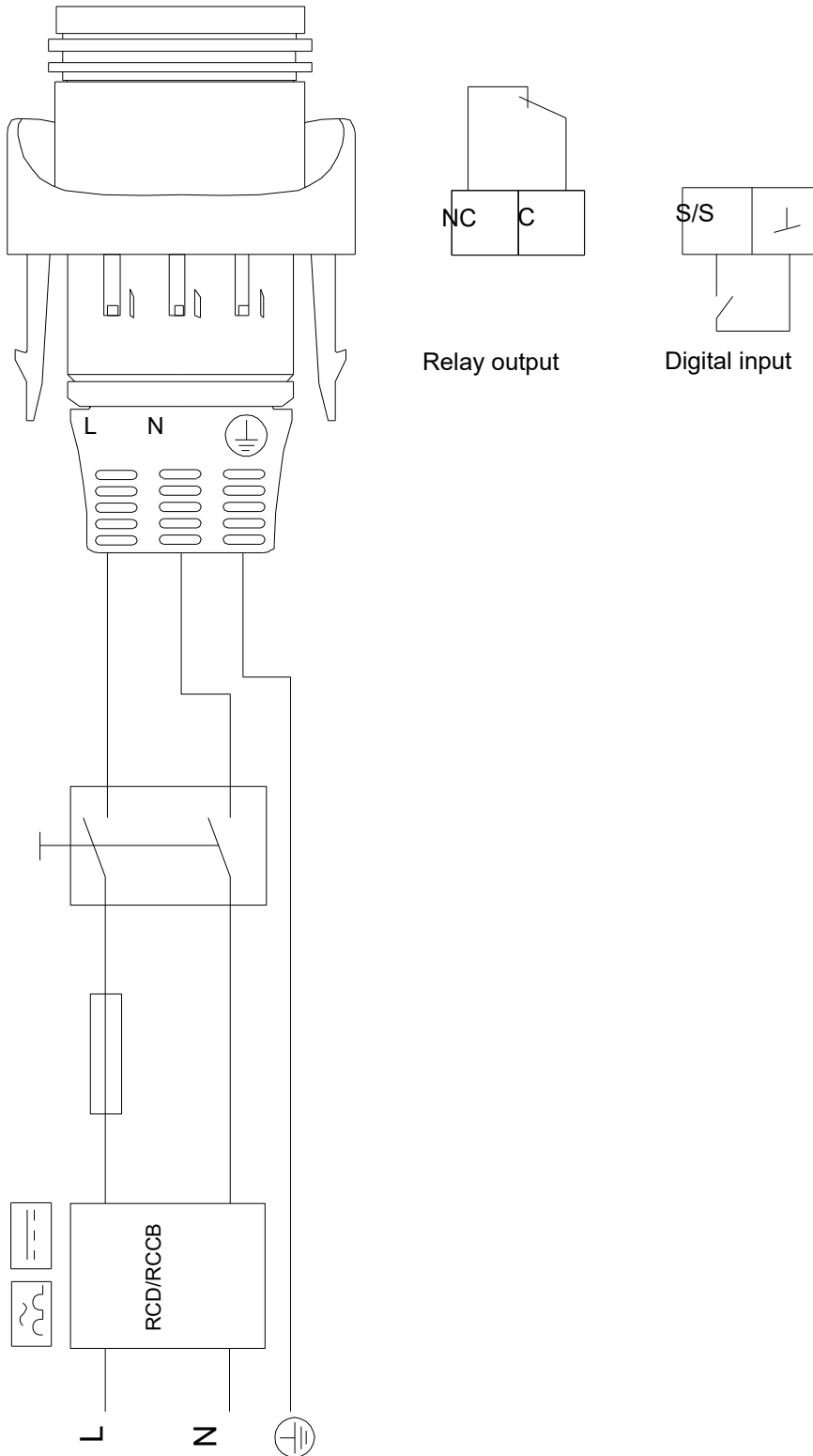


99221281 MAGNA1 32-120



Note! All units are in [mm] unless others are stated.
Disclaimer: This simplified dimensional drawing does not show all details.

99221281 MAGNA1 32-120



Note! All units are in [mm] unless others are stated.

**Spare parts MAGNA1 32-120, Product No. 99221281
Produced After 1731 (production year and week number)**

Pos	Description	Annotation	Classification Data	Part no.	Qty.	Unit
-	Kit, Connector plugs			99461932	1	pcs
	Connector plug 2-pole				1	pcs
	Connector plug				1	pcs
181	Plug				1	pcs
-	Kit, Control box configured			99523855	1	pcs
-	Kit,control box non-configured			99364500	1	pcs
	Foil				1	pcs
-	Control box cpl.				1	pcs
	Controlboard				1	pcs
	Leaded Spacer				1	pcs
	Control box				1	pcs
	Screw w/washer				1	pcs
1.a	Screw DELTA PT				3	pcs
163	Bottom				1	pcs
164a	Screw DELTA PT				5	pcs
164	Cover				1	pcs
163a	Pan head screw				2	pcs
	Conf.				1	pcs
-	Kit, Cover			99364501	1	pcs
	Foil				1	pcs
164	Cover				1	pcs
-	Kit, Pump head			98148737	1	pcs
92	Clamp cpl.				1	pcs
-	301 Pump head				1	pcs
-	Stator w/housing cpl.				1	pcs
301	Stator housing				1	pcs
303	Rotor can cpl.				1	pcs
-	304 Shaft w/impeller cpl.				1	pcs
-	Bearing plate cpl.				1	pcs
301a	O-ring				1	pcs
-	Kit,control box non-configured			99364500	1	pcs
	Foil				1	pcs
-	Control box cpl.				1	pcs
	Controlboard Leaded				1	pcs
	Spacer				1	pcs
	Control box				1	pcs
	Screw w/washer				1	pcs
1.a	Screw DELTA PT				3	pcs
163	Bottom				1	pcs
164a	Screw DELTA PT				5	pcs
164	Cover				1	pcs
163a	Pan head screw				2	pcs
-	Spare, Clamp			98148760	1	pcs
92	Clamp cpl.				1	pcs
-	Spare, Insulation shell			98615810	1	pcs
450	Insulation shell				1	pcs
-	Spare, O-ring			98357755	1	pcs
301a	O-ring				1	pcs
92	Clamp cpl.			98700283	1	pcs
301a	Bulk, O-ring (5 PC)			92780125	1	pcs
450	Insulation shell			98615808	1	pcs